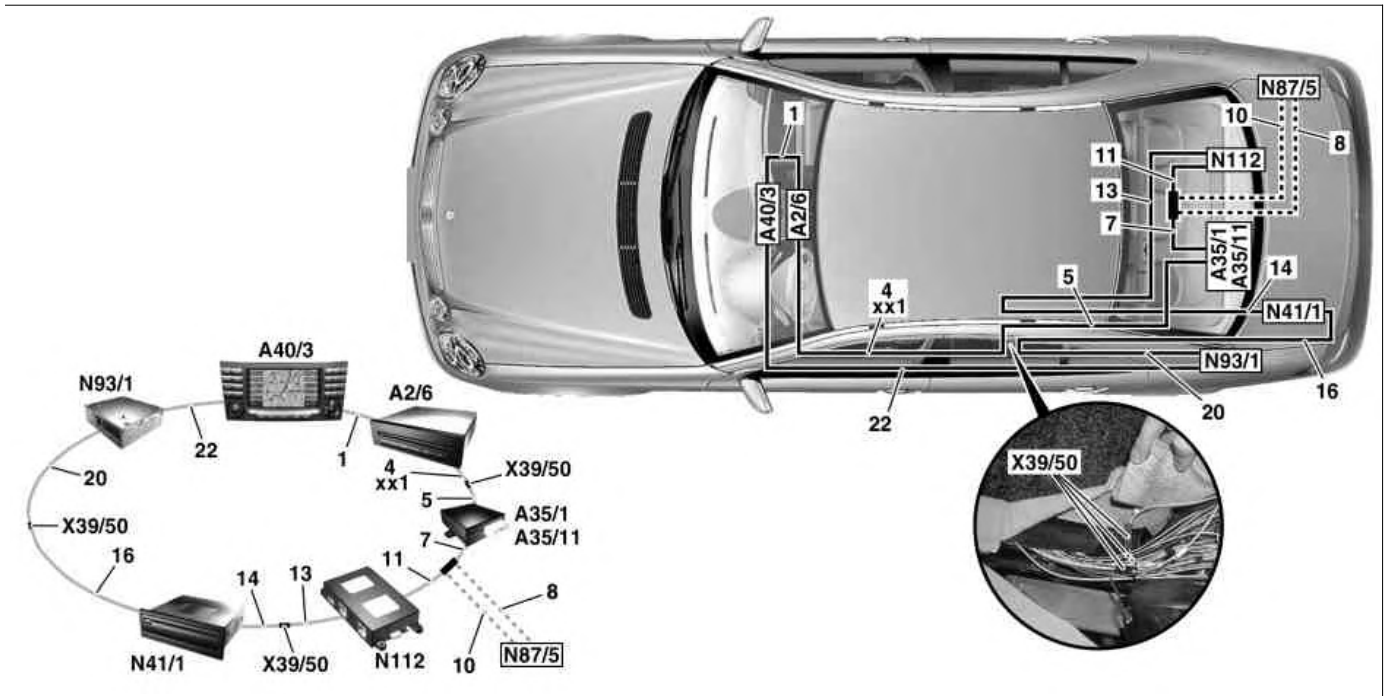


MODELS 211.0 /2 with CODE (494a) USA version



P82.00-2288-09

Shown is the routing of the fiber optic cables for Media Oriented System Transport (MOST) - vehicles as of 09/03 with COMAND, with code (819) CD changer (6-disc) and with satellite digital audio radio service (SDARS) (Dealer Option Kit)

1 to 22 and xx1	Fiber optic cable
A2/6	CD changer
A35/1	Control unit, hands-free system (standard)
A35/11	Control unit, voice control system (with code 813 voice control system (VCS))
A40/3	COMAND operating, display and control unit
N41/1	Navigation processor
N87/5	Control unit, SDAR (dealer option kit)
N93/1	Audio gateway control unit
N112	Telecommunications control unit
X39/50	Fiber optical cable connector (MOST)

Fiber optical cable (1) from the COMAND operating, display and control unit (A40/3) to the CD changer (A2/6).
 ● Routed behind center console

Fiber optical cable (4 or xx1) from CD changer (A2/6) to the fiber optical cable connector (MOST) (X39/50).
 ● Routed from the frame floor system into the left rear legroom area (rocker panel area).

Fiber optical cable (14) from the fiber optical cable connector (MOST) (X39/50) to the navigation processor (N41/1).
 ● Routed from the rear legroom area (rocker panel area) and over the left rear wheelhouse.

Fiber optical cable (16) from the navigation processor (N41/1) to the fiber optical cable connector (MOST) (X39/50).
 ● Routed over the left rear wheelhouse and into the rear legroom area (rocker panel area).

Fiber optical cable (20) from the fiber optical cable connector (MOST) (X39/50) to the audio gateway control unit (N93/1).
 ● Routed from the rear legroom area (rocker panel area) and over the left rear wheelhouse.

Fiber optical cable (5) from the fiber optical cable connector (MOST) (X39/50) to the control unit for the hands-free system (A35/1) or the control unit for the voice control system (VCS) (A35/11).

● Routed behind the rear bench seat underneath the trim cover of the control unit carrier and then toward the front over the left rear wheelhouse and into the rear legroom area (rocker panel area).

Fiber optical cable (7) from the control unit for the hands-free system (A35/1) or the control unit for the voice control system (VCS) (A35/11) up to the separation point at the control unit carrier.

● Routed behind the rear bench seat and under the trim cover of the control unit carrier.

Fiber optical cable (11) from the separation point of the control unit carrier to the telecommunications control unit (N112).

● Routed behind the rear bench seat under the trim cover of the control unit carrier.

Fiber optical cable (13) from the telecommunications control unit (N112) to the fiber optical cable connector (MOST) (X39/50).
 ● Routed behind the rear bench seat under the trim cover of the control unit carrier and then toward the front over the left rear wheelhouse and into the rear legroom area (rocker panel area).

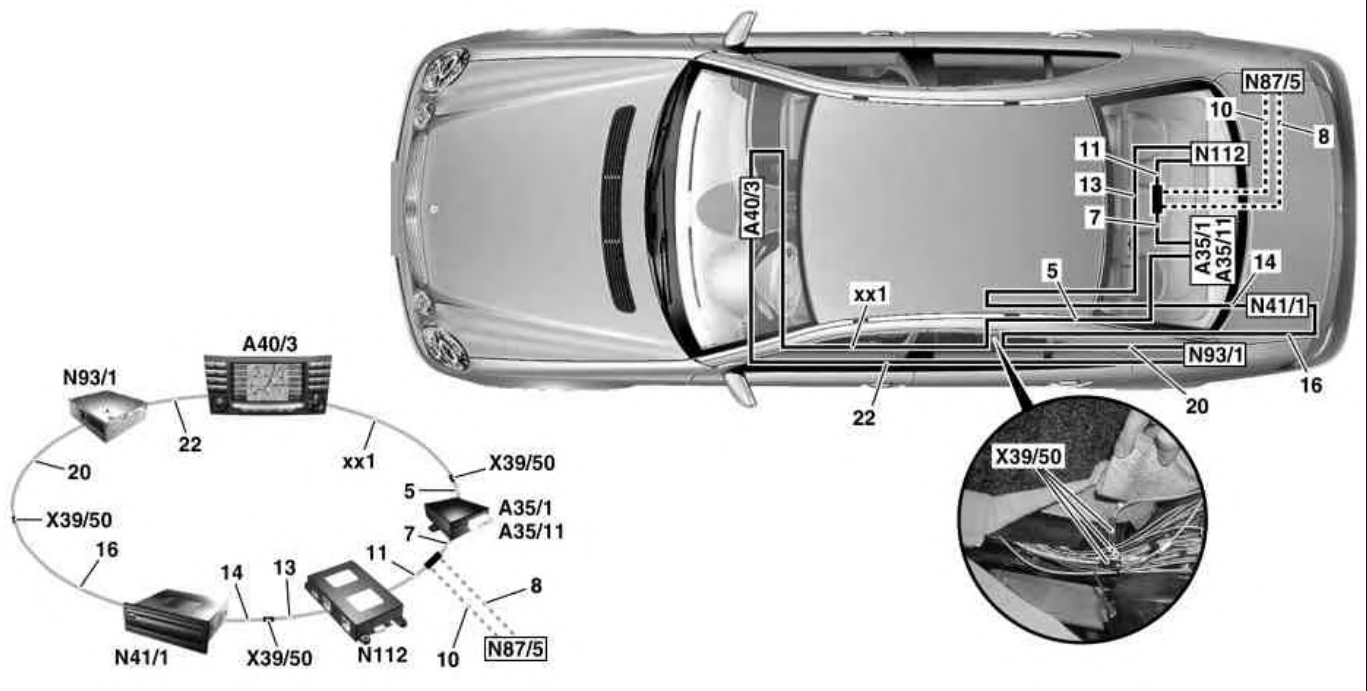
Fiber optical cable (22) from the audio gateway control unit (N93/1) to the COMAND operating, display and control unit (A40/3).

● Routed over the left rear wheelhouse and into the rear legroom area (rocker panel area) and then toward the front into the frame floor system.

On vehicles with SDARS (Dealer Option Kit):

Fiber optical cables (8, 10) from the separation point of the control unit carrier to the SDAR control unit (N87/5).

● Routed behind the rear bench seat under the trim cover of the control unit carrier and over the right rear wheelhouse.



P82.00-2289-09

Shown is the routing of the fiber optical cables for Media Oriented System Transport (MOST) - vehicles as of 09/03 with COMAND, with SDARS (Dealer Option Kit) and without code 819, CD changer (6-disc)

- | | |
|-----------------|---|
| 1 to 22 and xx1 | Fiber optic cable |
| A35/1 | Control unit, hands-free system (standard) |
| A35/11 | Control unit, voice control system (with code 813 voice control system (VCS)) |
| A40/3 | COMAND operating, display and control unit |
| N41/1 | Navigation processor |
| N87/5 | Control unit, SDAR (dealer option kit) |
| N93/1 | Audio gateway control unit |
| N112 | Telecommunications control unit |
| X39/50 | Fiber optical cable connector (MOST) |

Fiber optical cable (xx1) from the COMAND operating, display and control unit (A40/3) to the fiber optical cable connector (MOST) (X39/50).
 ● Routed behind the center console into the frame floor system and into the rear legroom area (rocker panel area).

Fiber optical cable (14) from the fiber optical cable connector (MOST) (X39/50) to the navigation processor (N41/1).
 ● Routed from the rear legroom area (rocker panel area) and over the left rear wheelhouse.

Fiber optical cable (16) from the navigation processor (N41/1) to the fiber optical cable connector (MOST) (X39/50).
 ● Routed over the left rear wheelhouse and into the rear legroom area (rocker panel area).

Fiber optical cable (20) from the fiber optical cable connector (MOST) (X39/50) to the audio gateway control unit (N93/1).
 ● Routed from the rear legroom area (rocker panel area) and over the left rear wheelhouse.

Fiber optical cable (5) from the fiber optical cable connector (MOST) (X39/50) to the control unit for the hands-free system (A35/1) or the control unit for the voice control system (VCS) (A35/11).

● Routed behind the rear bench seat under the trim cover of the control unit carrier and then toward the front over the left rear wheelhouse and into the rear legroom area (rocker panel area).

Fiber optical cable (7) from the control unit for the hands-free system (A35/1) or the control unit for the voice control system (VCS) (A35/11) up to the separation point at the control unit carrier.

● Routed behind the rear bench seat under the trim cover of the control unit carrier.

Fiber optical cable (11) from the separation point at the control unit carrier to the telecommunications control unit (N112).

● Routed behind the rear bench seat under the trim cover of the control unit carrier.

Fiber optical cable (13) from the telecommunications control unit (N112) to the fiber optical cable connector (MOST) (X39/50).

● Routed behind the rear bench seat under the trim cover of the control unit carrier and then toward the front over the left rear wheelhouse and into the rear legroom area (rocker panel area).

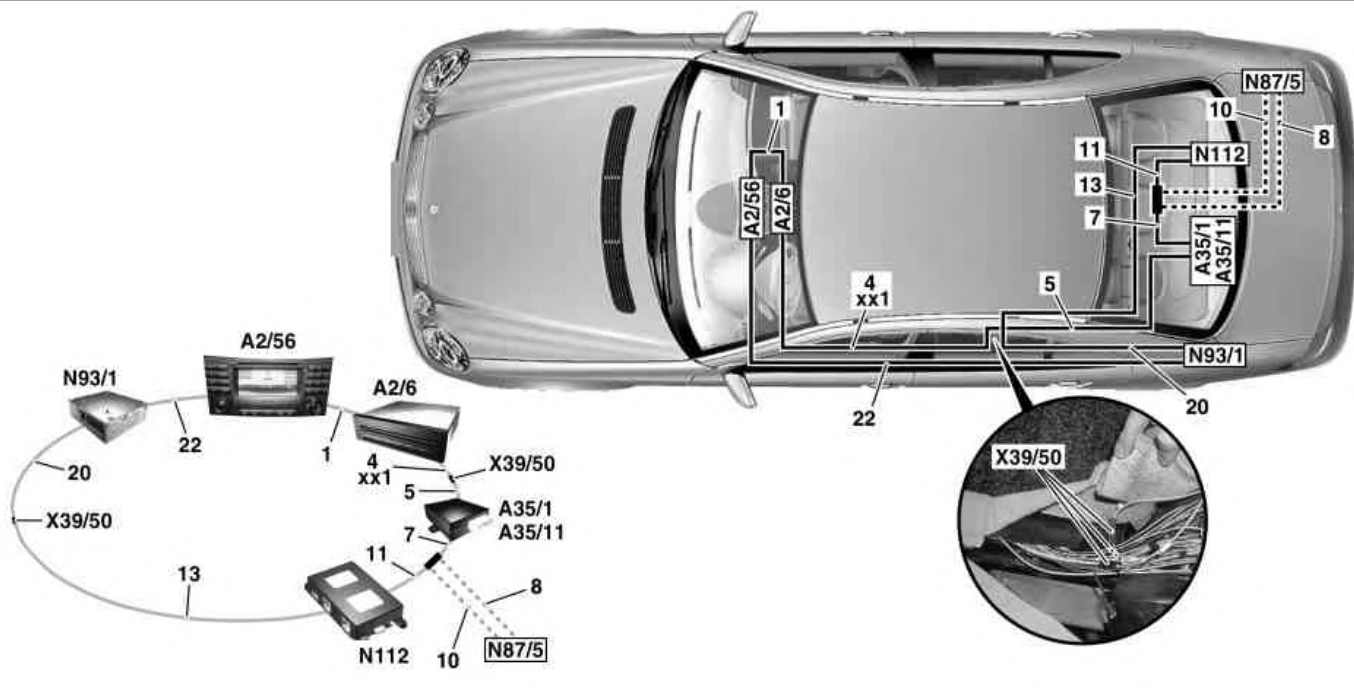
Fiber optical cable (22) from the audio gateway control unit (N93/1) to the COMAND operating, display and control unit (A40/3).

● Routed over the left rear wheelhouse and into the rear legroom area (rocker panel area) and then toward the front into the frame floor system.

On vehicles with SDARS (Dealer Option Kit):

Fiber optical cables (8, 10) from the separation point at the control unit carrier to the SDAR control unit (N87/5).

● Routed behind the rear bench seat under the trim cover of the control unit carrier and over the right rear wheelhouse.



P82.00-2290-09

Shown is the routing of the fiber optic cables for Media Oriented System Transport (MOST) - vehicles up to 09/03 with Audio 50, with code 819 CD changer and with satellite digital audio radio service (SDARS) (Dealer Option Kit)

- | | |
|-----------------|---|
| 1 to 22 and xx1 | Fiber optic cable |
| A2/56 | Radio control panel and navigation unit |
| A2/6 | CD changer |
| A35/1 | Control unit, hands-free system (standard) |
| A35/11 | Control unit, voice control system (with code 813 voice control system (VCS)) |
| N87/5 | Control unit, SDAR (dealer option kit) |
| N93/1 | Audio gateway control unit |
| N112 | Telecommunications control unit |
| X39/50 | Fiber optical cable connector (MOST) |

Fiber optical cable (1) from the radio control panel and navigation unit (A2/56) to the CD changer (A2/6).
 ● Routed behind center console

Fiber optical cable (4 or xx1) from CD changer (A2/6) to the fiber optical cable connector (MOST) (X39/50).
 ● Routed from the frame floor system into the left rear legroom area (rocker panel area).

Fiber optical cable (20) from the fiber optical cable connector (MOST) (X39/50) to the audio gateway control unit (N93/1).
 ● Routed from the rear legroom area (rocker panel area) and over the left rear wheelhouse.

Fiber optical cable (22) from the audio gateway control unit (N93/1) to the radio control panel and navigation unit (A2/56).
 ● Routed over the left rear wheelhouse and into the rear legroom area (rocker panel area) and then toward the front into the frame floor system.

Fiber optical cable (5) from the fiber optical cable connector (MOST) (X39/50) to the control unit for the hands-free system (A35/1) or the control unit for the voice control system (VCS) (A35/11).

● Routed behind the rear bench seat under the trim cover of the control unit carrier and then toward the front over the left rear wheelhouse and into the rear legroom area (rocker panel area).

Fiber optical cable (7) from the control unit for the hands-free system (A35/1) or the control unit for the voice control system (VCS) (A35/11) up to the separation point at the control unit carrier.

● Routed behind the rear bench seat under the trim cover of the control unit carrier.

Fiber optical cable (11) from the separation point at the control unit carrier to the telecommunications control unit (N112).

● Routed behind the rear bench seat under the trim cover of the control unit carrier.

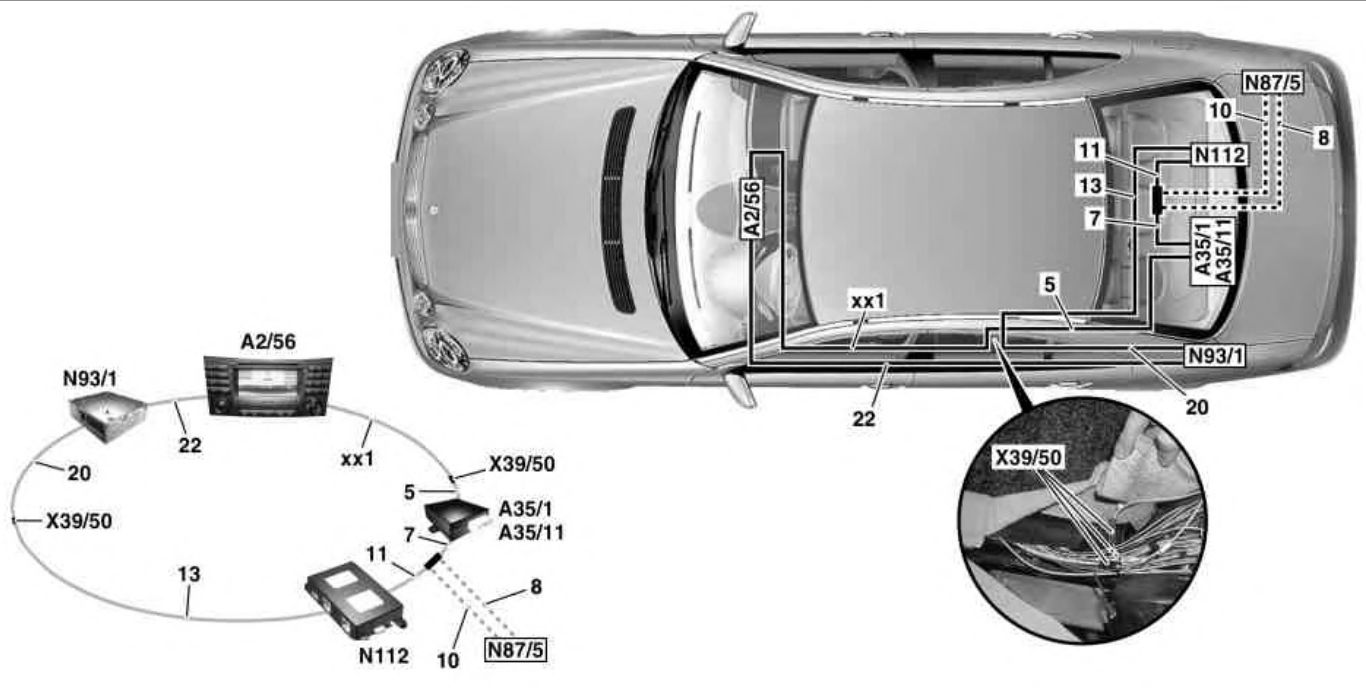
Fiber optical cable (13) from the telecommunications control unit (N112) to the fiber optical cable connector (MOST) (X39/50).

● Routed behind the rear bench seat under the trim cover of the control unit carrier and then toward the front over the left rear wheelhouse and into the rear legroom area (rocker panel area).

On vehicles with SDARS (Dealer Option Kit):

Fiber optical cables (8, 10) from the separation point at the control unit carrier to the SDAR control unit (N87/5).

● Routed behind the rear bench seat under the trim cover of the control unit carrier and over the right rear wheelhouse.



P82.00-2291-09

Shown is the routing of the fiber optical cables for Media Oriented System Transport (MOST) - vehicles up to 09/03 with Audio 50, with SDARS (Dealer Option Kit) and without code 819, CD changer (6-disc)

- | | |
|-----------------|---|
| 1 to 22 and xx1 | Fiber optic cable |
| A2/56 | Radio control panel and navigation unit |
| A35/1 | Control unit, hands-free system (standard) |
| A35/11 | Control unit, voice control system (with code 813 voice control system (VCS)) |
| N87/5 | Control unit, SDAR (dealer option kit) |
| N93/1 | Audio gateway control unit |
| N112 | Telecommunications control unit |
| X39/50 | Fiber optical cable connector (MOST) |

Fiber optical cable (xx1) from the radio control panel and navigation unit (A2/56) to the fiber optical cable connector (MOST) (X39/50).
 ● Routed behind the center console into the frame floor system and into the rear legroom area (rocker panel area).

Fiber optical cable (20) from the fiber optical cable connector (MOST) (X39/50) to the audio gateway control unit (N93/1).
 ● Routed from the rear legroom area (rocker panel area) and over the left rear wheelhouse.

Fiber optical cable (22) from the audio gateway (N93/1) to the radio control panel and navigation unit (A2/56).
 ● Routed over the left rear wheelhouse and into the rear legroom area (rocker panel area) and then toward the front into the frame floor system.

Fiber optical cable (5) from the fiber optical cable connector (MOST) (X39/50) to the control unit for the hands-free system (A35/1) or the control unit for the voice control system (VCS) (A35/11).

● Routed behind the rear bench seat under the trim cover of the control unit carrier and then toward the front over the left rear wheelhouse and into the rear legroom area (rocker panel area).

Fiber optical cable (7) from the control unit for the hands-free system (A35/1) or the control unit for the voice control system (VCS) (A35/11) up to the separation point at the control unit carrier.

● Routed behind the rear bench seat under the trim cover of the control unit carrier.

Fiber optical cable (11) from the separation point at the control unit carrier to the telecommunications control unit (N112).

● Routed behind the rear bench seat under the trim cover of the control unit carrier.

Fiber optical cable (13) from the telecommunications control unit (N112) to the fiber optical cable connector (MOST) (X39/50).

● Routed behind the rear bench seat under the trim cover of the control unit carrier and then toward the front over the left rear wheelhouse and into the rear legroom area (rocker panel area).

On vehicles with SDARS (Dealer Option Kit):

Fiber optical cables (8, 10) from the separation point at the control unit carrier to the SDAR control unit (N87/5).

● Routed behind the rear bench seat under the trim cover of the control unit carrier and over the right rear wheelhouse.