

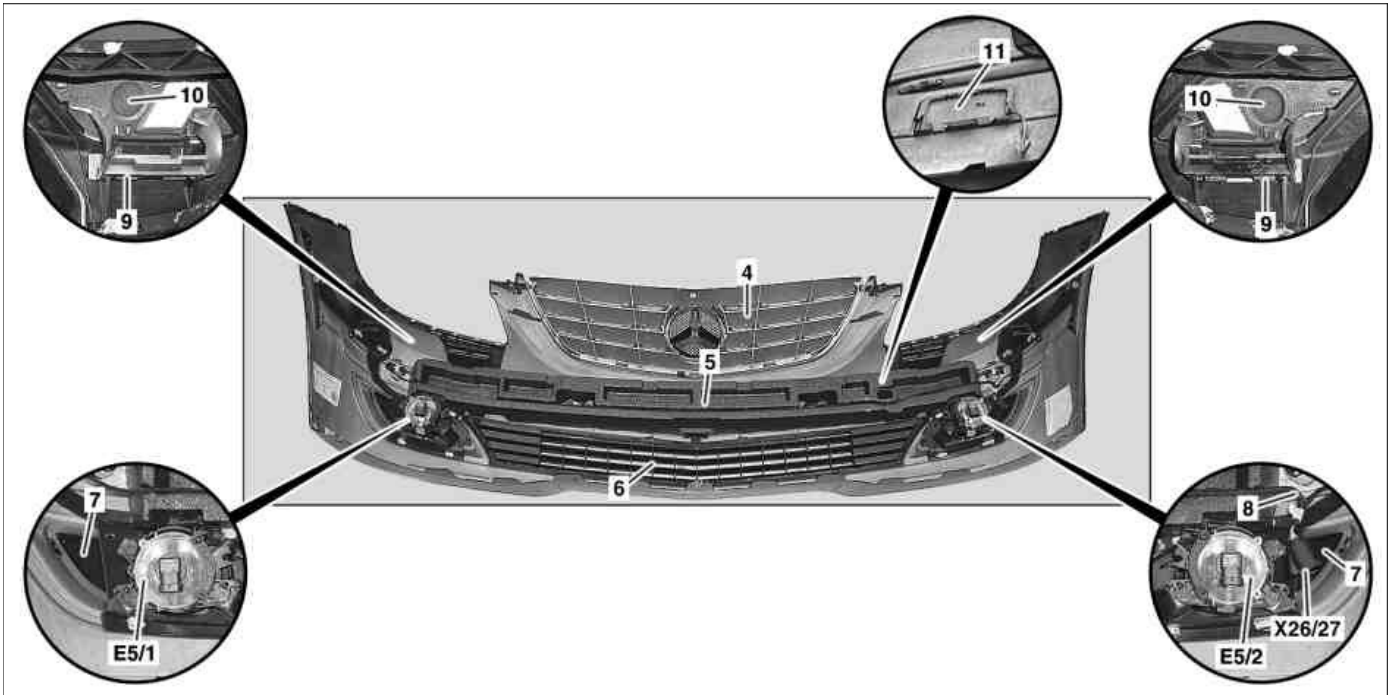
P88.20-3203-07

1 Front bumper

2 Screw

3 Front engine compartment paneling

13 Expansion clip



P88.20-2720-09

4 Radiator grille

5 Impact absorber

6 Air grille

7 Cover

8 Wiring harness (with code (220) Parktronic system (PTS))

9 Spring (with code (614) Bi-xenon headlamp unit or with code (615) Bi-xenon headlamp unit with integrated curve illumination)

10 SRA cap (with code (614) Bi-xenon headlamp unit or with code (615) Bi-xenon headlamp unit with integrated curve illumination)

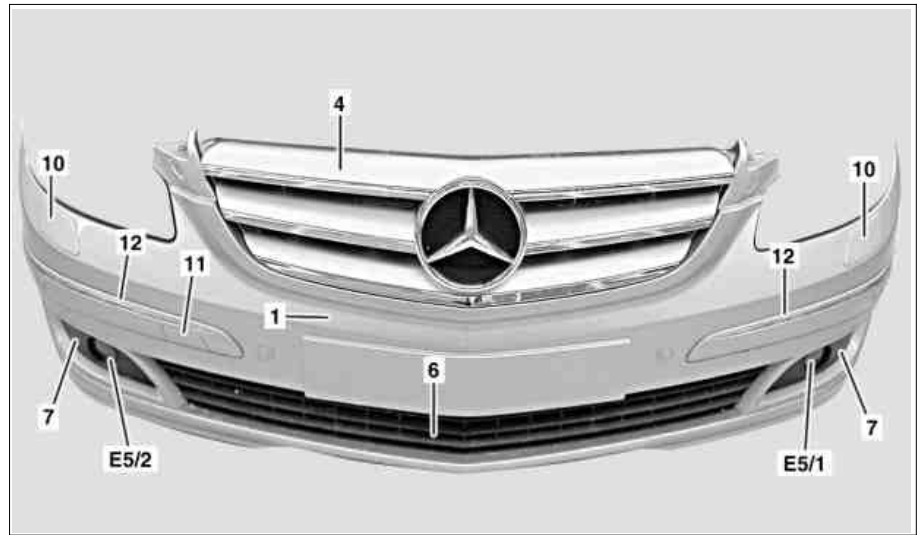
11 Tow eye cover

E5/1 Left front fog lamp

E5/2 Right fog lamp

X26/27 PTS, front bumper connector (with code (220) Parktronic system (PTS))



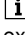
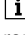
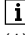
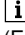
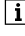
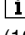
- 1 Front bumper
- 4 Radiator grille
- 6 Air grille
- 7 Cover
- 10 SRA cap (with code (614) Bi-xenon headlamp unit or code (615) Bi-xenon headlamp unit with integrated curve illumination)
- 11 Tow eye cover



P88.20-3201-05

- 12 Trim strip (with code (460) Canada vehicles, auxiliary parts or code (498) Japanese version or code (900) Exterior chrome package or code (951) Small sport package or code (952) Sport package)

- E5/1 Left front fog lamp
- E5/2 Right fog lamp

 	Disassemble/assemble		
1	Remove front bumper (1).		AR88.20-P-2000BK
2	Remove license plate.	Cordless drill/driver, cordless drill gotis://G 58.0 01.1	
3	Remove front engine compartment paneling (3)	 Unscrew bolt (2), remove left and right expansion clip (13)	
4	Remove radiator grille (4)		AR88.40-P-4001AK
5	Remove Parktronic system sensors (PTS) in front bumper (1)	With code (220) Parktronic system (PTS)	AR54.65-P-0001AK
6	Unclip front bumper PTS connector (X26/27) and remove wiring harness (8) from impact absorber (5)	With code (220) Parktronic system (PTS)	
7	Remove impact absorber (5)	 Lift catch hook with suitable tool and remove impact absorber (5)	
8	Remove tow eye cover (11)	 Pry tow eye cover (11) out of front bumper (1) with suitable tool, press barb of retaining strap together and guide through retaining bracket.	
9	Remove left front fog lamp (E5/1) and right front fog lamp (E5/2)	 Unscrew bolts, remove left front fog lamp (E5/1) and right front fog lamp (E5/2)	
10	Remove left and right cover (7)	 Unscrew bolts and unclip left and right cover (7).	
11	Remove left and right SRA cap (10)	On vehicles with code (614) Bi-xenon headlamp unit or code (615) Bi-xenon headlamp unit with integrated curve illumination  Unhook spring (9) and remove SRA cap (10) from bracket	
12	Unclip air grate (6).		
13	Unclip left and right trim strip (12)	With code (460) Canada vehicles, auxiliary parts or code (498) Japanese version or code (900) Exterior chrome package or code (951) Small sport package or code (952) Sport package	
14	Install in the reverse order		