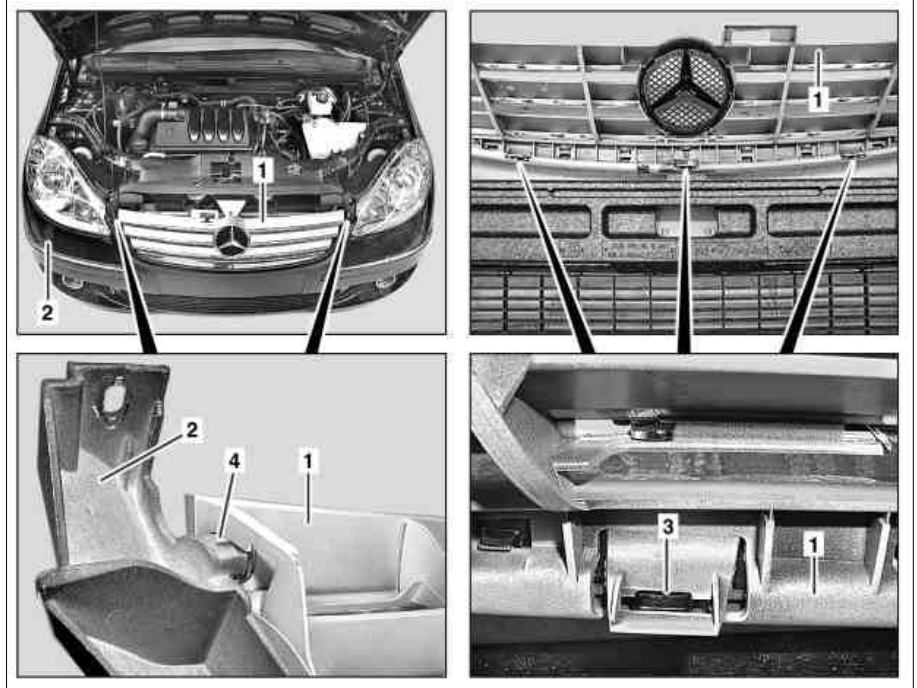


MODEL 169.0 /3, 245.2

Shown on model 169.0 up to 2.6.08 without code (809) Model year 2009

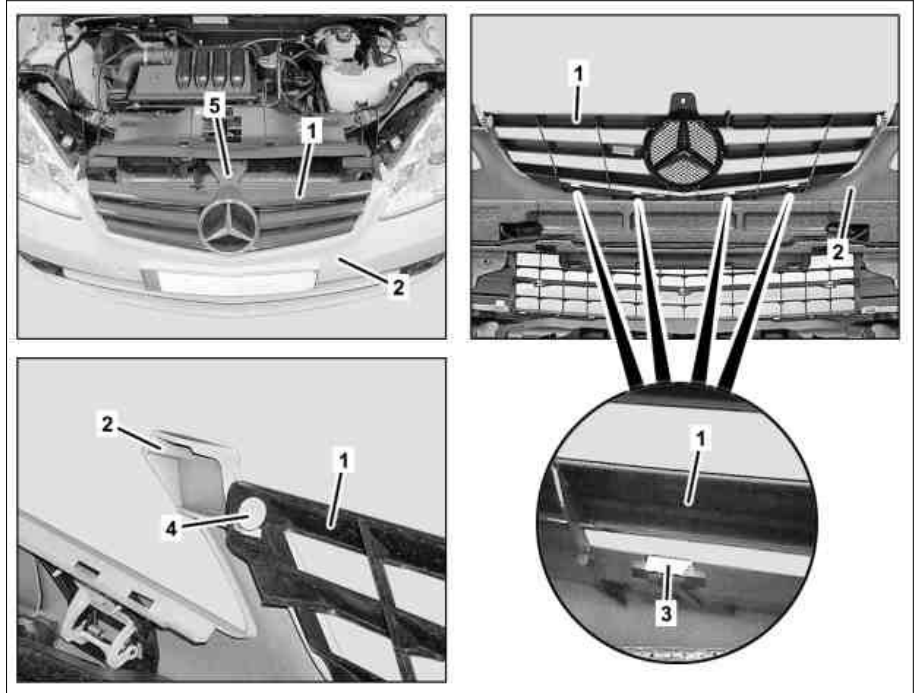
- 1 Radiator grille
- 2 Bumper
- 3 Catch hook
- 4 Guide



P88.40-2506-06

Shown on model 169.0 as of 3.6.08 or code (809) Model year 2009

- 1 Radiator grille
- 2 Bumper
- 3 Catch hook
- 4 Guide
- 5 Clip (only model 169 as of 3.6.08 or code (809) Model year 2009)



P88.40-2750-06

☒ ☒	Remove/install		
1	Open engine hood and secure against falling down		
2	Remove clips (5) in center of radiator grille (1)	On model 169 as of 3.6.08 or code (809) Model year 2009	
3	Unlock catch hook (3) from outside with suitable tool and pivot radiator grille (1) to radiator.	<p>⚠ Radiator grille (1) on model 169.0/3 Do not pivot too far, otherwise radiator can be damaged.</p> <p>i On vehicles up to 2.6.08 without code (809) Model year 2009 the radiator grille (1) is fastened with three catch hooks (3). On vehicles as of 3.6.08 or code (809) Model year 2009 the radiator grille (1) is fastened with four catch hooks (3).</p>	

4	Remove radiator paneling (1) from guides (4) and bumper (2)	i Installation: Insert retaining hook handle into radiator grille (1).	
5	Install in the reverse order		