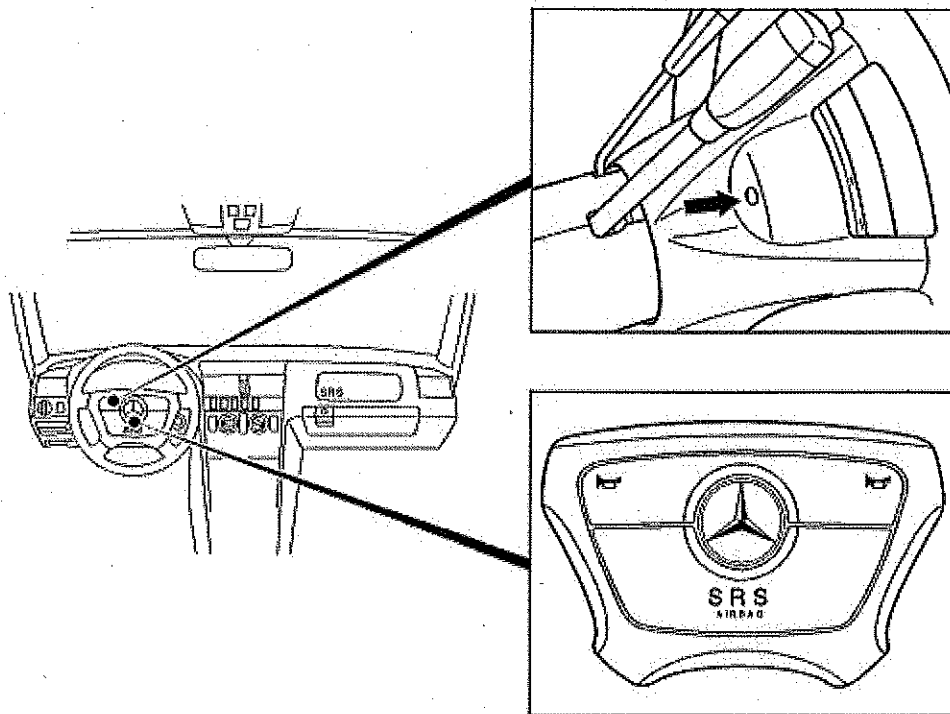


MODEL 202, 210


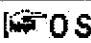


The illustration shows removal of the driver airbag in model 202. The illustration also applies for model 210.



P91.60-0006-06

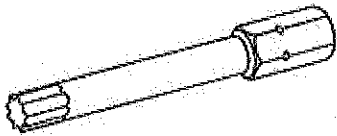
	<b>Removal, installation</b>		
<b>Danger!</b>	<b>Injury hazard</b> when testing or repairing airbags or emergency tensioning retractors	Store airbags with opening surface pointing up, do not expose to temperatures above 100 °C. Interrupt electric circuit when working on these units and disconnect test connector/connector for airbag (AB) with emergency tensioning retractor (X11/13).	AS91.00-Z-0001-01B
<b>Danger!</b>	<b>Injury hazard</b> when testing or repairing airbags or emergency tensioning retractors.	Store airbags with opening surface pointing up, do not expose to temperatures above 100 °C. Interrupt electric circuit when working on these units.	AS91.00-Z-0001-01A
	Evaluation of airbags and emergency tensioning retractors on accident vehicles	Model 129 as of 1.7.93, 163, 168, 170, 202 as of 1.7.93, 208, 210, 463, 638, 901, 902, 903, 904	AH91.00-P-0006-01B
	Important instructions for performing repair, body work and welding on vehicles with airbags and emergency	Models 124, 129 up to 30.6.93, 140, 202 up to 30.6.93	AH91.00-P-0002-01A

	tensioning retractors		
		Model 129 as of 1.7.93, 163, 168, 170, 202 as of 1.7.93, 208, 210, 463, 638, 901, 902, 903, 904	AH91.00-P-0002-01B
<b>i</b>	Legal regulations on handling and storing airbags and emergency tensioning retractors	Models 124, 129, 140, 163, 168, 170, 202, 208, 210, 314, 316, 318, 463, 638, 901, 902, 903, 904, 950, 952, 953, 954	AH91.00-P-0004-01A
1.1	Disconnect ground lead from battery	Model 202 up to 30.6.93	AR54.10-P-0003A
1.2	Remove ignition key	Model 202 as of 1.7.93 and model 210	
3	Disconnect SRS test connector (X11/13)	Model 202 up to 30.6.93	
4	Unscrew two screws (arrow)	<b>Nm</b> <b>i</b> Hold airbag while unscrewing	BA91.60-P-1001-01A
			126 589 00 10 00
5	Remove airbag from steering wheel and disconnect connector from squib on gas generator	<b>i</b> <b>Installation:</b> Connector should catch audibly	
6	Remove airbag from steering wheel	If the airbag is replaced, dispose of the defective airbag properly. ↓	
 OS	Instructions on disposal of airbags and emergency tensioning retractors	All models	OS91.00-P-0001-01A
	Rendering airbag unusable		AR91.60-P-0611A
7	Install in opposite order	<b>i</b> After the driver's airbag has triggered it is always necessary to replace the steering wheel	
8	Check combination switch automatic return		
9	Perform diagnosis	See Diagnosis Manual, Body, Volume 5	

**Nm** Airbag

Number	Designation		Model 202	Model 210
BA91.60-P-1001-01A	Screw for airbag on steering wheel	Nm	8	8

**Special tool**



126 589 00 10 00