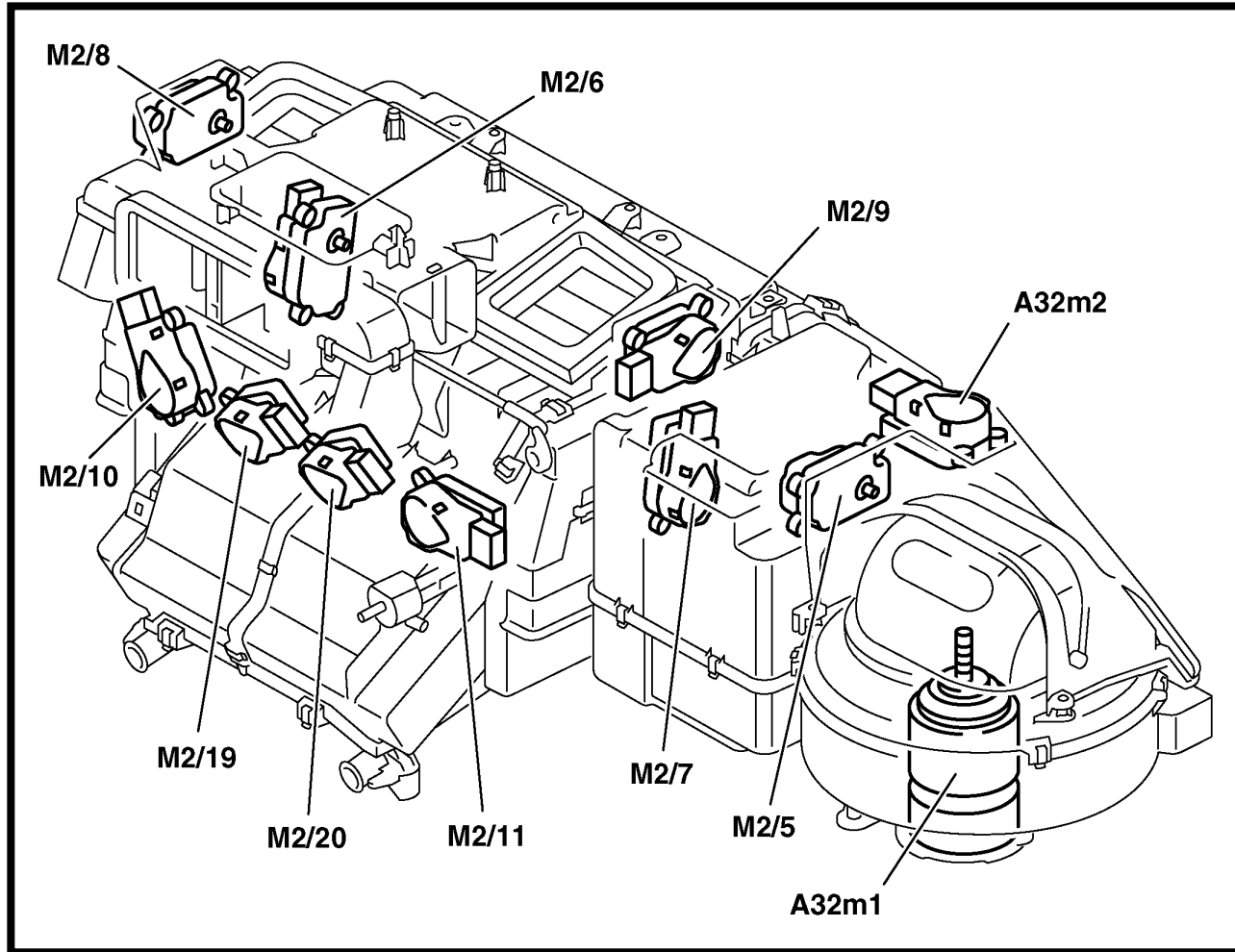


C320 Flap Actuation Motor Location



M2/5 - Fresh air /
recirculating air flap
positioning motor

M2/6 - Left blend air
flap positioning motor

M2/7 - Right blend air
flap positioning motor

M2/8 - Left defroster
flap positioning motor

M2/9 - Right defroster
flap positioning motor

M2/10 - Left footwell
flap positioning motor

M2/11 - Right footwell
flap positioning motor

M2/19 - Left fresh air
flap positioning motor

M2/20 - Right fresh air
flap positioning motor

A32m1 - Blower motor

A32m2 - Charcoal filter flap motor