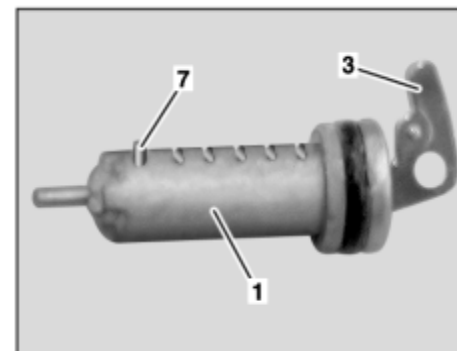
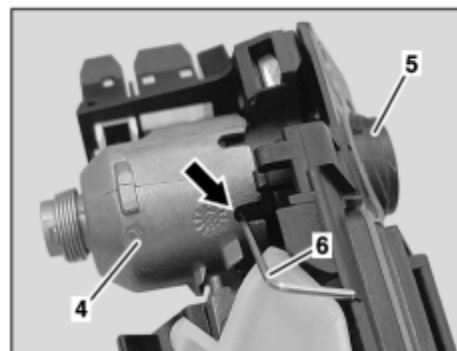
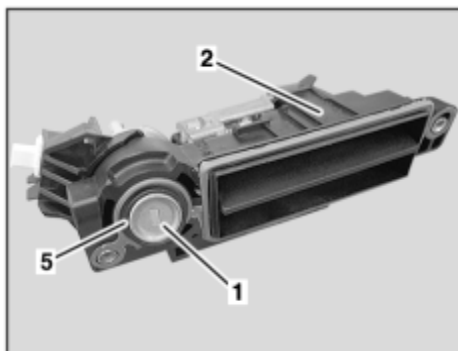


AR72.20-P-2590PB

Remove/install rear-end door lock cylinder

30.10.00

MODEL 203.2/ 7










P88.50-2508-07

1 Lock cylinder
2 Rear-end door handle
3 Emergency key

4 Lock housing
5 Cylinder lock housing

6 Allen wrench a/f 1.5
7 Retainer tab

	Remove		
1	Remove rear-end door handle (2)	Model 203.2	AR72.20-P-3650PA
		Model 203.7	AR72.20-P-3650PB
2	Insert emergency key (3) into lock cylinder (1)		
3	Turn lock cylinder (1) 45° counterclockwise with emergency key	 The opening (arrow) in the lock housing (4) should coincide with the corresponding removal hole in the lock cylinder housing (5).	
4	Insert Allen wrench a/f 1.5 (6) into opening (arrow) and press retainer tab (7) on lock cylinder (1)	 So that lock cylinder (1) unlocks.	
5	Pull lock cylinder (1) on emergency key (3) out of lock cylinder housing (5)		

	Install		
6	Arrest lock cylinder (1) in lock cylinder housing (5)	 Carefully turn lock cylinder (1) in lock cylinder housing (5) to prevent damaging the retainer tab (7).	
		 Insert lock cylinder (1) with inserted emergency key (3) into lock cylinder housing (5) and turn counterclockwise until lock cylinder (1) locks in lock cylinder housing (5).	
		 While locking, press lock cylinder (1) against spring located in lock cylinder housing (5)	
7	Install rear-end door handle (2)	Model 203.2	AR72.20-P-3650PA
		Model 203.7	AR72.20-P-3650PB