

GF83.40-P-2183P

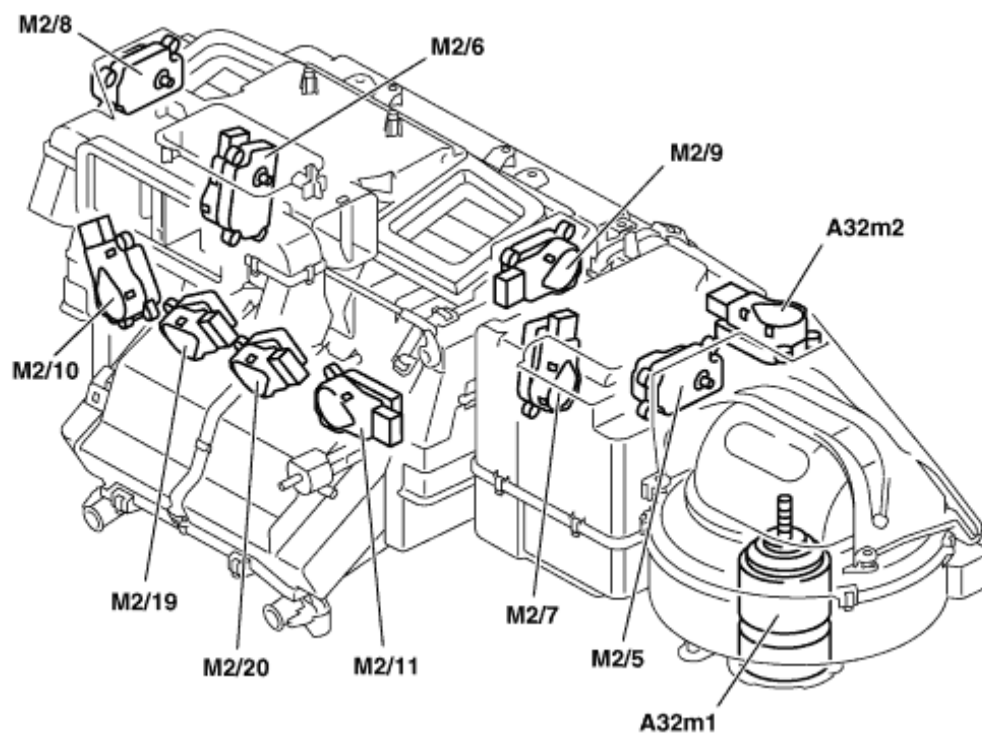
Actuator motors for comfort automatic air conditioning, location/task/function

19.3.04

MODEL 203.0 /2 /7 up to 31.5.01 with CODE (581) Automatic air conditioning

MODEL 203.0 /2 /7 as of 1.6.01 with CODE (581) Comfort automatic air conditioning

A32m2 Activated charcoal filter flap adjustment motor
 M2/5 Fresh air/air recirculation flaps actuator motor
 M2/6 Left blending air flap actuator
 M2/7 Right blending air flap actuator
 M2/8 Left defroster vent flap actuator motor
 M2/9 Right defroster vent flap actuator motor
 M2/10 Left footwell flap actuator motor
 M2/11 Right footwell flap actuator motor
 M2/19 Left fresh air flap actuator
 M2/20 Right fresh air flap actuator



P83.40-2189-06

Comfort automatic air conditioning actuator motors, location	The actuator motors (A32m2), (M2/5), (M2/6), (M2/7), (M2/8), (M2/9), (M2/10), (M2/11), (M2/19), M2/20) are on the A/C housing.	
Comfort automatic air conditioning actuator motors, task		GF83.40-P-2183-01P
Comfort automatic air conditioning actuator motors, function		GF83.40-P-2183-02P