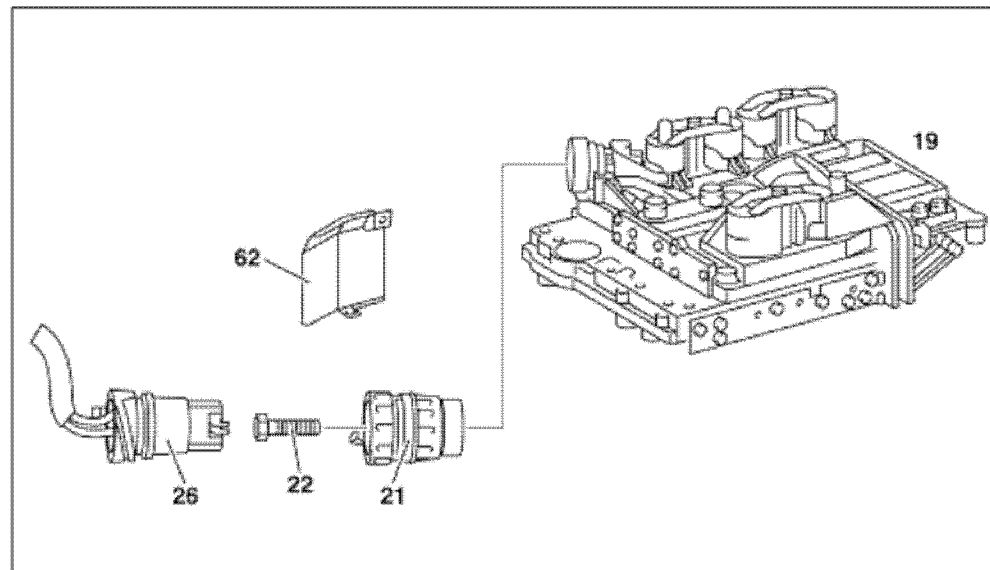
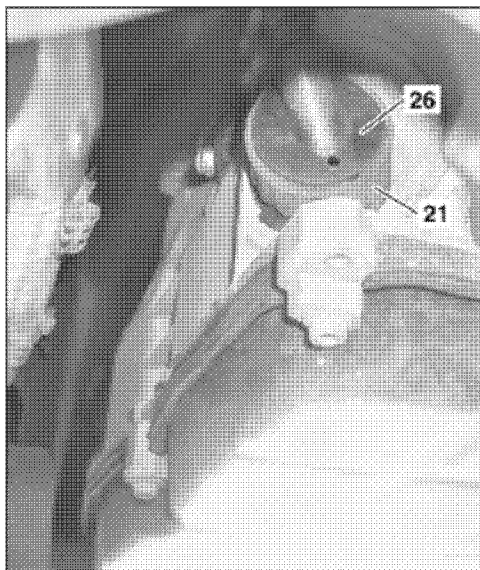


| | | |
|-----------------|--|--------|
| AR27.19-P-0230A | Replace pilot bushing in the electrohydraulic control unit | 3.2.05 |
|-----------------|--|--------|

TRANSMISSIONS 722.6





P27.19-2286-08

19 Electrohydraulic control unit
21 Pilot bushing

22 Bolt
26 Plug socket

62 Heat shield

|  | Remove/Install | | |
|---|--|-----------------------------------|--|
|  | In order to prevent damage to the electric control unit, the transmission oil temperature must be < 50 °C when removing and installing the pilot bushing (21). | | |
| 1.1 | Switch off ignition, remove ignition key from the EIS [EZS] control unit | Vehicles without Keyless Go | |
| 1.2 | Remove Keyless Go transmitter (ignition key/card) from the vehicle and | Vehicles with Keyless Go Code 889 | |

| | | | |
|-----|---|---|---------------------------|
| | store outside the transmitter range | i Switch off engine. | |
| 2.1 | Detach rear section of engine compartment paneling | Model 203 | <u>AR61.20-P-1105P</u> |
| 3 | Unscrew bolt (22) and remove pilot bushing (21) from the electrohydraulic control unit (19) | i When pulling out the pilot bushing (21), pay attention to transmission oil which runs out. | |
| | | i If there is a green spot on the pilot bushing (21), only the sealing rings need to be replaced and not the complete pilot bushing. | |
| | | Nm | <u>BA27.19-P-1003-01A</u> |
| 4 | Install in the reverse order | | |
| 5 | Pour ATF into automatic transmission and inspect ATF level | Model 203 | <u>AR27.00-P-0101P</u> |

Nm Electrohydraulic control unit

| Number | Designation | Transmission 722.6 |
|--------------------|--|-----------------------|
| BA27.19-P-1003-01A | Bolt, pilot bushing to electrohydraulic control unit | Nm 3 |

Nm Housing

| Number | Designation | Transmission 722.6 |
|--------------------|---|-----------------------|
| BA27.40-P-1014-01A | Bolt, heat shield to transmission housing | Nm 6 |