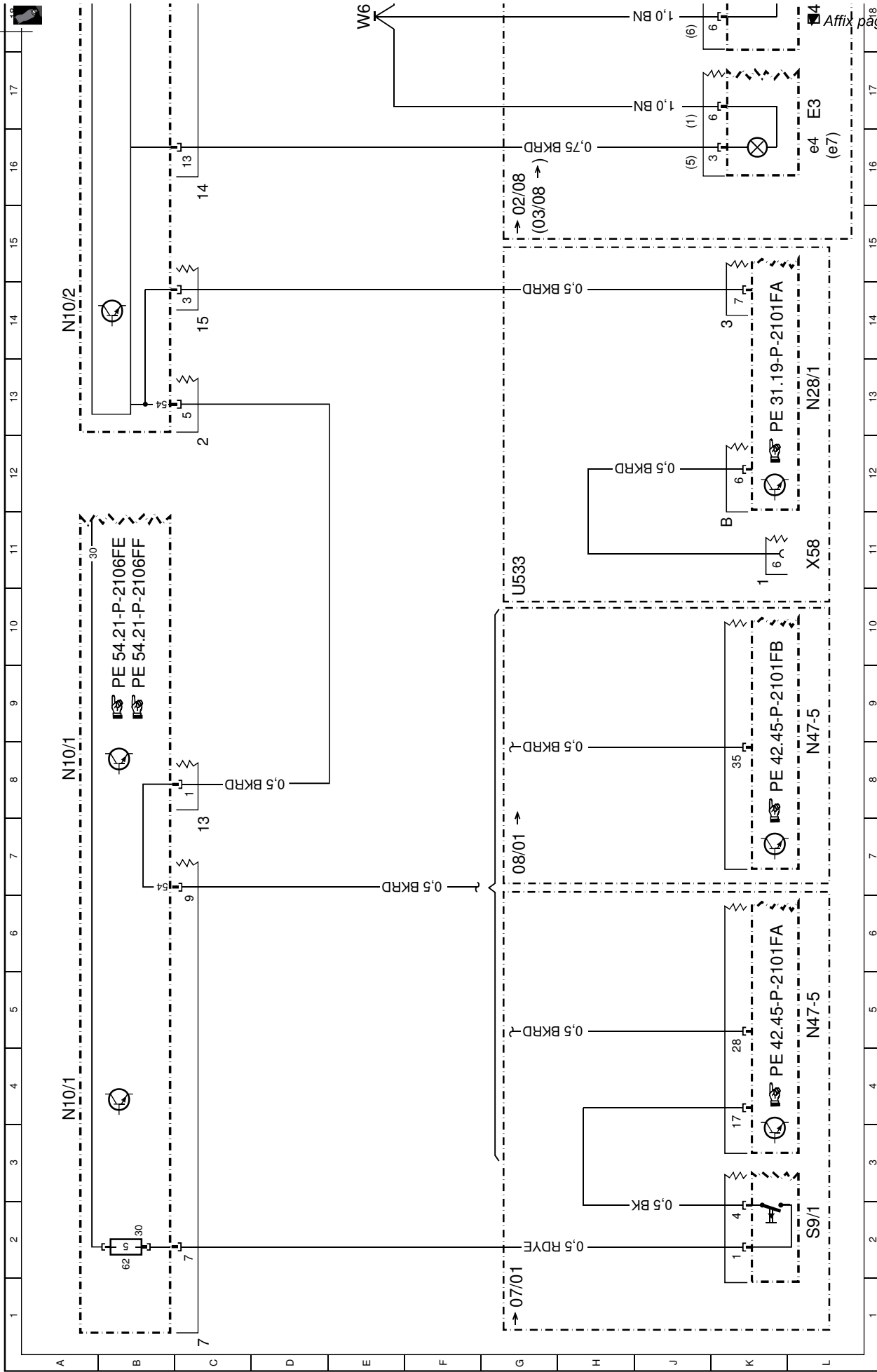


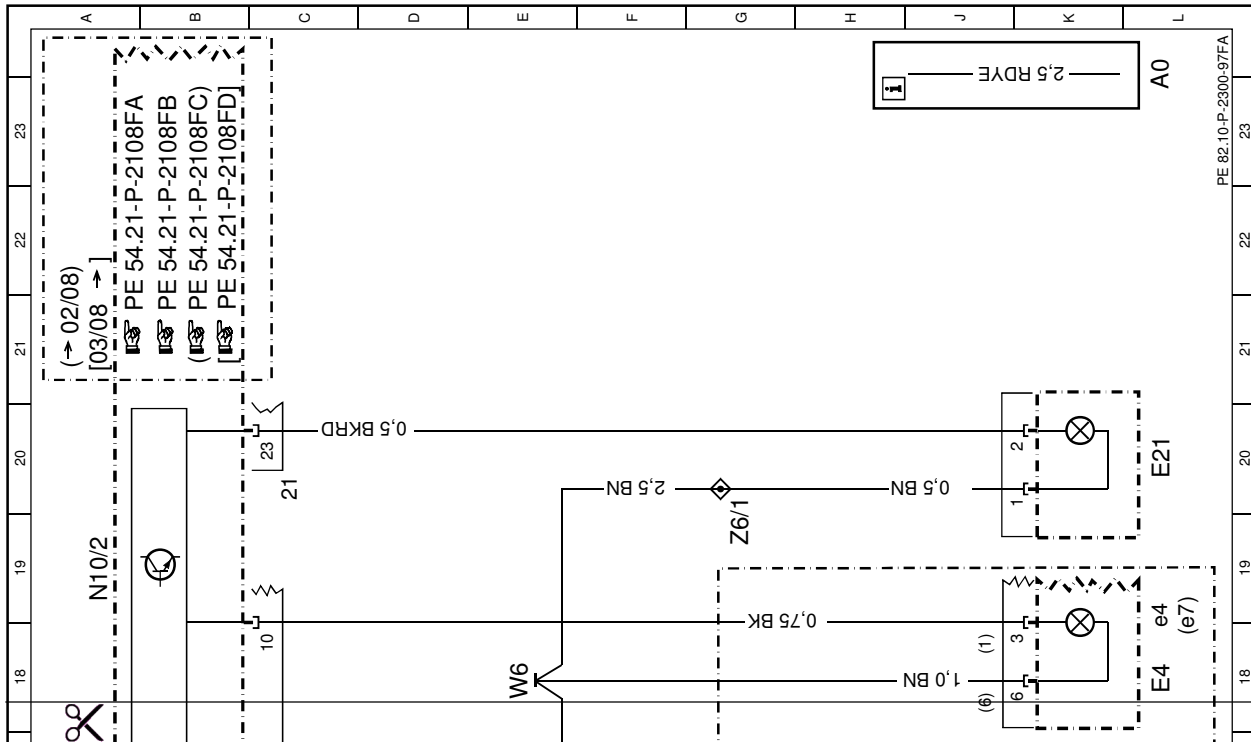
Document number: pe82.10-p-2300-97fa
Document title: Wiring diagram of stop lamp

Code: **Designation:** **Coordinates:**

A0	Explanation of color codes	20L
E21	Center high-mounted stop lamp	17L
E3	Left taillamp	16L
E3e4	Stop lamp	18L
E4	Right taillamp	19L
E4e4	Stop lamp	4A
N10/1	Front SAM control module with fuse and relay module	8A
N10/1	Front SAM control module with fuse and relay module	2B
N10/1f62	Fuse 62	14A
N10/2	Rear SAM control module with fuse and relay module	19A
N10/2	Rear SAM control module with fuse and relay module	13L
N28/1	Trailer recognition control module	5L
N47-5	ESP and BAS control module	9L
N47-5	ESP and BAS control module	2L
S9/1	Stop lamp switch (4-pin)	10G
U533	Valid for towing hitch	18E
W6	Ground (left wheelhousing in trunk)	11L
X58	Trailer hitch socket (13-pin)	19G
Z6/1	Ground connector sleeve	



▼ Affix page 2 here ▼



PE 82.10-P-2300-97FA

Cut here