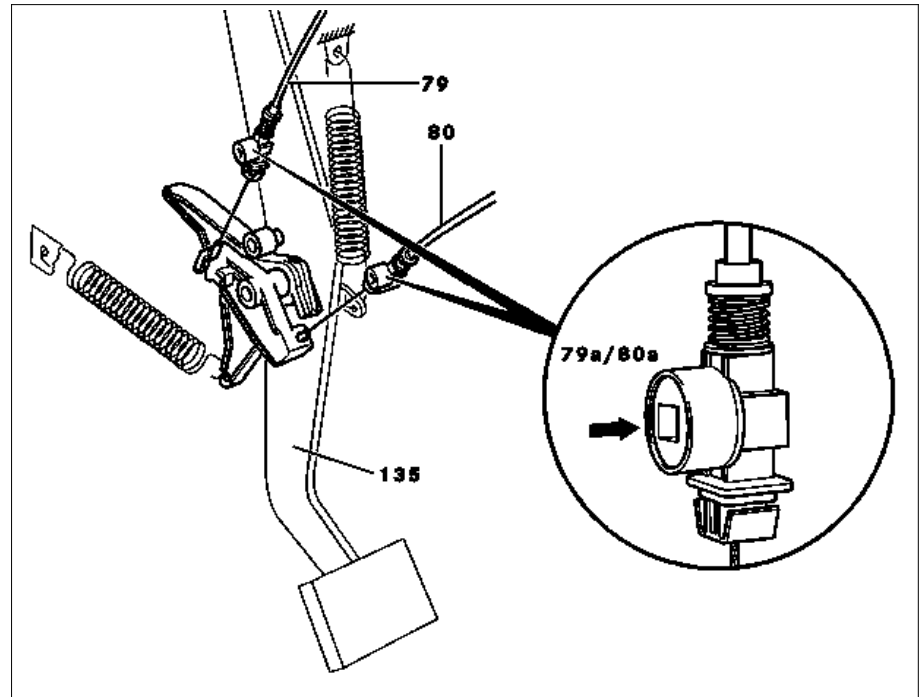


TRANSMISSION 722.620 ## up to 1680,
722.621 ## up to 1976,
722.622

- 79 Wire cable/steering lock
79a Adjusting button, wire cable/steering lock
80 Wire cable/transmission
80a Adjusting button wire cable/transmission
135 Brake pedal



P27.60-0232-06

Modification notes

15.10.97	Sequence of work steps revised	AR27.60-P-0965A
----------	--------------------------------	-----------------

Adjusting wire cable/transmission			
1	Pretension spring on adjusting button (80a)		
2	Turn key in steering lock to position "1"		
3	Operate brake pedal and selector lever in position "D"		
4	Depress brake pedal (135) as far as possible and hold down		
5	Adjust wire cable/transmission (80) by pressing adjusting button (80a) (arrow)		
Adjusting wire cable/steering lock		i The wire cable/transmission must be installed to adjust the wire cable/steering lock.	
6	Pretension spring on adjusting button (79a)		
7	Selector lever in position "P"		
8	Turn key in steering lock to position "0"		
9	Adjust wire cable/steering lock (79) by pressing the adjusting button (79a) (arrow)		