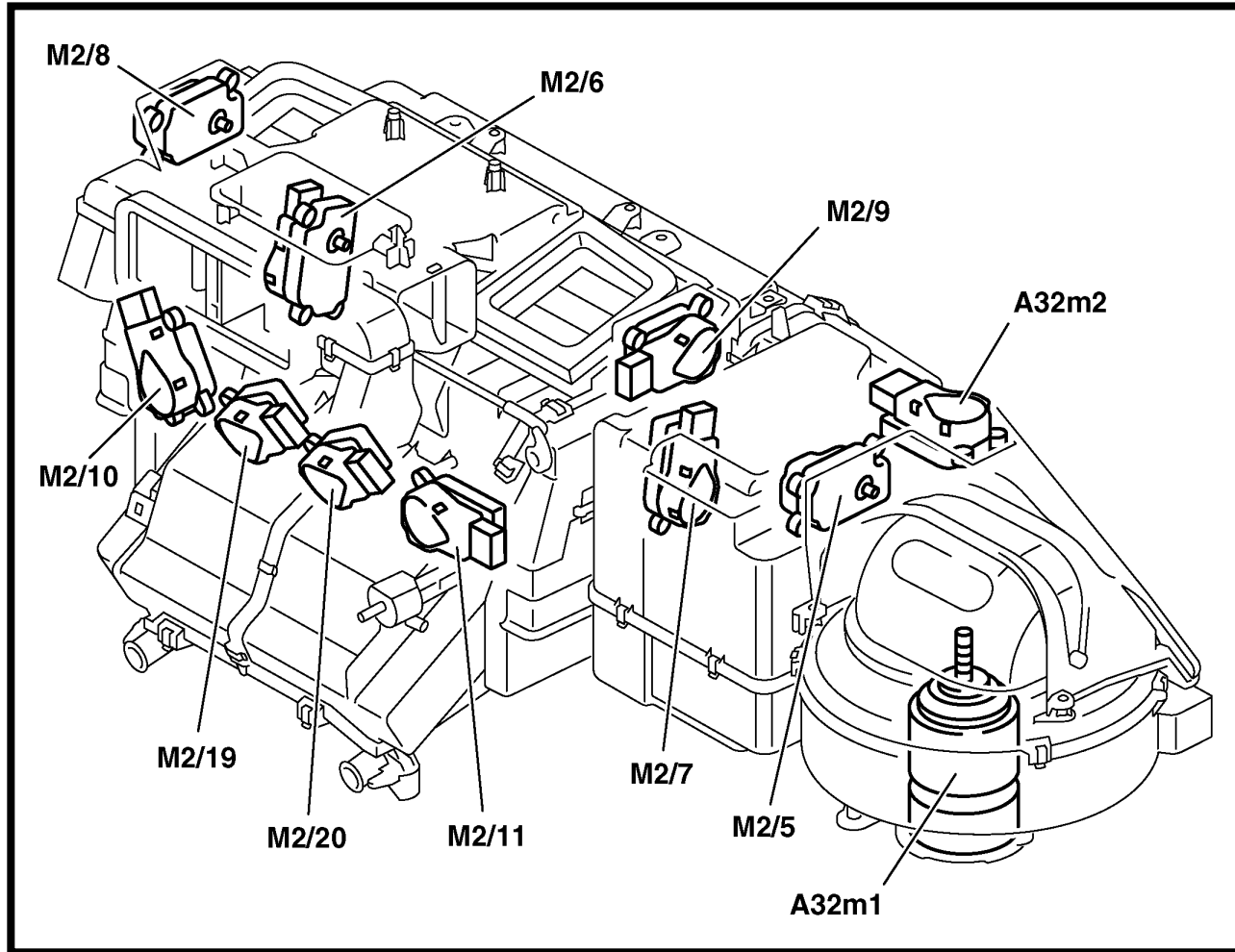


# C320 Flap Actuation Motor Location



M2/5 - Fresh air /  
recirculating air flap  
positioning motor

M2/6 - Left blend air  
flap positioning motor

M2/7 - Right blend air  
flap positioning motor

M2/8 - Left defroster  
flap positioning motor

M2/9 - Right defroster  
flap positioning motor

M2/10 - Left footwell  
flap positioning motor

M2/11 - Right footwell  
flap positioning motor

M2/19 - Left fresh air  
flap positioning motor

M2/20 - Right fresh air  
flap positioning motor

A32m1 - Blower motor

A32m2 - Charcoal filter flap motor