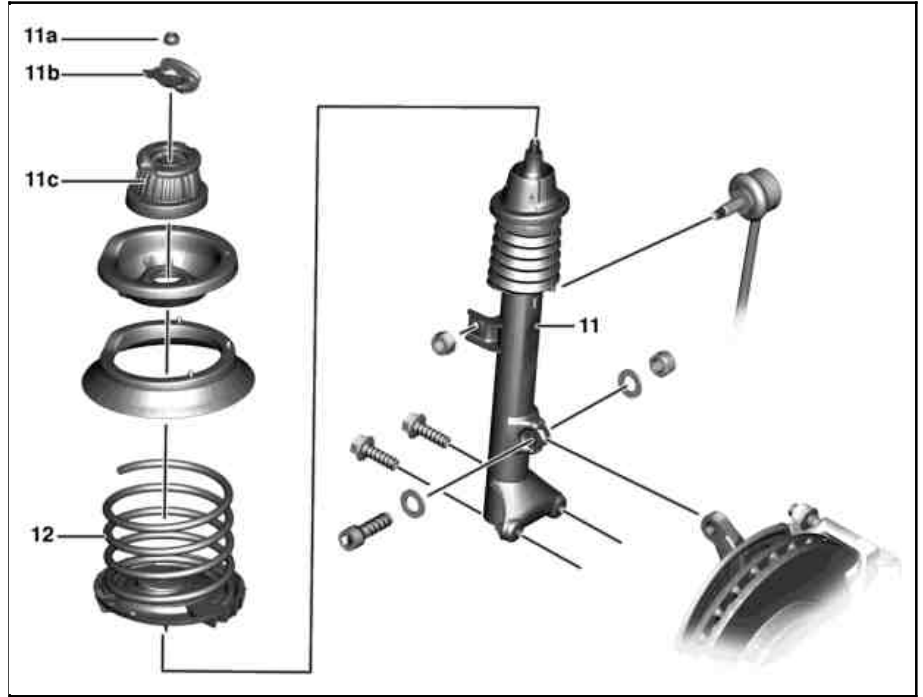


**MODEL 203 (except 203.08 /09 /28 /29)**  
**MODEL 209 except CODE (P98) Black Series**  
**MODEL 211.0 /2 (except 211.08 /09 /28 /29) except CODE (489) Airmatic (semi-active air suspension)**  
**MODEL 211.6**  
**MODEL 230 except CODE (487) Active Body Control (ABC)**

Shown on suspension strut, model 203



P32.20-2036-06

	<b>Remove/install</b>		
	Notes on self-locking nuts and bolts		AH00.00-N-0001-01A
1	Remove suspension strut (11)	Model 203, 209 Models 211, 230	AR32.25-P-1017P AR32.25-P-1017TS
2	Disassemble suspension strut (11) and remove front spring (12)	Model 203, 209  Models 211, 230	AR32.25-P-1018P  AR32.25-P-1018TS
3	Install in the reverse order		