

Intake Air Temperature Sensor: Locations

Intake Air Temperature Sensor



B17
Intake air temperature sensor

M271
Engine compartment, left front

Intake Air Temperature Sensor (View 1)



B17
Intake air temperature sensor

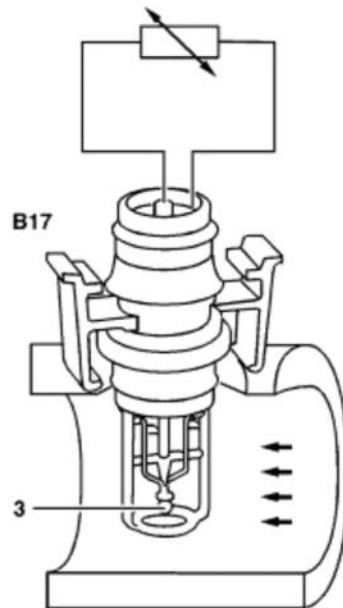
M271
Engine compartment, left front

Intake Air Temperature Sensor (View 2)

Intake Air Temperature Sensor: Description and Operation

Intake Air Temperature Sensor, Function

Intake Air Temperature Sensor, Function



- 3 NTC resistor
- B17 Intake air temperature sensor (engine 104, 111, 119)
- B17/5 Left intake air temperature sensor (engine 120)
- B17/6 Right intake air temperature sensor (engine 120)

The NTC resistor integrated in the intake air temperature sensor, alters its electrical resistance in line with the intake air temperature. NTC means Negative Temperature Coefficient; which means that the electrical resistance drops as the temperature increases.