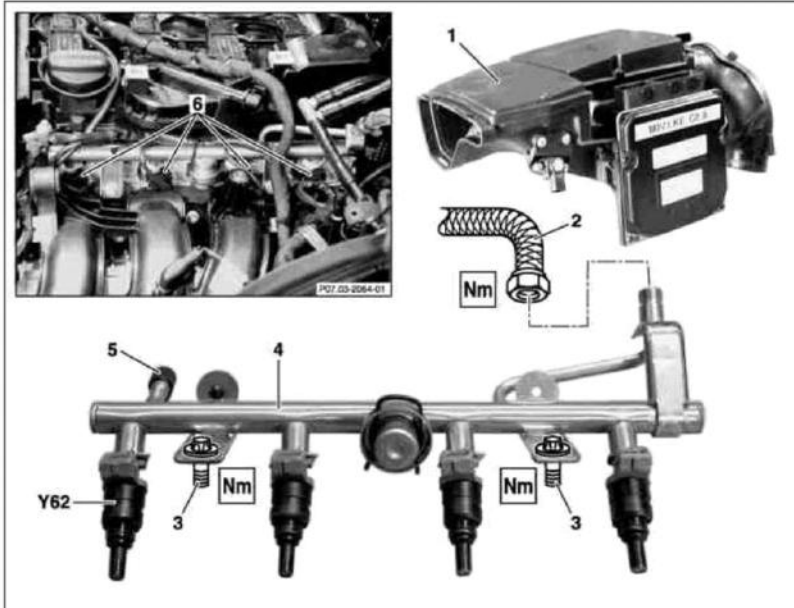


Fuel Injector: Service and Repair AR07.03-P-1450Q Remove/Install Fuel Distributor With Injection Valves

Removing Fuel Distributor With Injection Valves

- 1 Air cleaner housing
- 2 Fuel feed line
- 3 Bolts
- 4 Fuel distributor
- 5 Service valve
- 6 Clutches
- Y62 Fuel injection valves



P07.03-2062-06

	Remove		
Danger!	Risk of explosion caused by fuel igniting, risk of poisoning caused by inhaling and swallowing fuel as well as risk of injury to eyes and skin caused by contact with fuel.	No fire, sparks, naked flames or smoking. Only pour fuels into suitable and appropriately marked containers. Wear protective clothing when handling fuel	AS47.00-Z-0001-01A
Danger!	Risk of explosion caused by oxyhydrogen gas. Risk of poisoning and caustic burns caused by swallowing battery acid. Risk of injury caused by burns to skin and eyes from battery acid or when handling damaged lead-acid batteries Disconnect ground cable of battery Notes on battery	No fire, sparks, open flames or smoking. Wear acid-resistant gloves, clothing and safety glasses. Only pour battery acid into suitable and appropriately marked containers. All models Model 209: Do not connect up the static current maintenance device. Damage could otherwise in the control unit. Model 203 Model 209	AS54.10-Z-0001-01A AH54.10-P-0001-01A AR54.10-P-0003P AR54.10-P-0003Q
2	Pull engine cover upwards off the cylinder head cover		
3	Remove air cleaner housing (1).		AR09.10-P-1150Q
4	Release fuel pressure through service valve (5) at fuel rail (4)	Unscrew cap. Collect fuel.	*119589046300
5	Remove fuel feed line (2) from fuel distributor (4)	Collect fuel.	
6	Dismount bracket of engine wiring harness		
7	Disconnect clutches (6) from fuel injectors (Y62)	Carefully detach couplings (6) (risk of cracks and fracture).	
8	Remove bolts (3)		
9	Lift fuel distributor (4) together with the fuel injection valves (Y62) evenly off the cylinder head		
	Checking		

Part 1

10	Check O-rings of fuel injection valves (Y62) for damage	Also replace O-rings for fuel injection valves (Y62) as required.	
11	Test fuel injectors (Y62)	Defective fuel injection valves (Y62) must be replaced: Remove and install injection valves	AR07.03-P-6522Q
	Installing		
12	Insert fuel distributor (4) together with fuel injection valves (Y62)	Lightly moisten O-rings with lubricant. Liquid lubricant (naphtholene H)	*BR00.45-Z-1003-06A
13	Screw in bolts (3)		*BA07.52-P-1001-01B
14	Place couplings (6) on fuel injection valves (Y62)		
15	Attach bracket for engine wiring harness		
16	Attach fuel feed line (2) on fuel distributor		*BA07.52-P-1002-01B
17	Close off service valve (5) on fuel distributor (4)		
18	Install air cleaner housing (1)	Moisten rubber mounts slightly with lubricant. Liquid lubricant (naphtholene H)	AR09.10-P-1150Q *BR00.45-Z-1003-06A
Danger!	Risk of explosion caused by oxyhydrogen gas. Risk of poisoning and caustic burns caused by swallowing battery acid. Risk of injury caused by burns to skin and eyes from battery acid or when handling damaged lead-acid batteries Connect ground cable to battery Notes on battery	No fire, sparks, open flames or smoking. Wear acid-resistant gloves, clothing and safety glasses. Only pour battery acid into suitable and appropriately marked containers.	AS54.10-Z-0001-01A
19 		All models Model 203 Model 209	AH54.10-P-0001-01A AR54.10-P-0003P AR54.10-P-0003Q
20	Perform basic programming	Model 203 Model 209	AR00.19-P-0200P AR00.19-P-0200Q
21	Read out fault memory and erase Connect up STAR DIAGNOSIS and read out fault memory	Stored faults which may be caused by removal, test work, removed lines or a simulation, must be processed and erased in the fault memories after completing the work. STAR DIAGNOSIS diagnosis system	AD00.00-P-2000-04A *WE58.40-Z-1013-06A

Part 2

Fuel Rail

Fuel rail

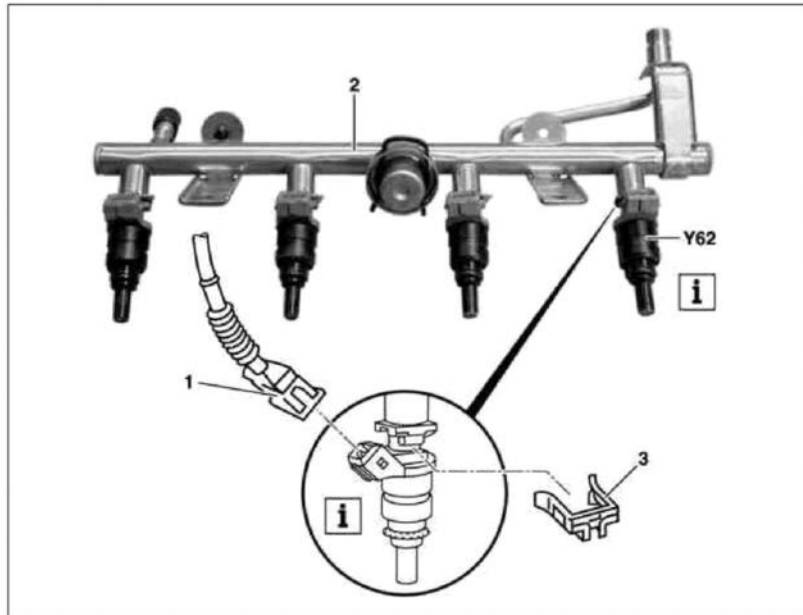
Number	Designation	Engine 271.940/ 941/944/ 946/948
BA07.52-P-1001-01B	Bolt for fuel rail on cylinder head	1st stage Nm 14
		2nd stage " " -
BA07.52-P-1002-01B	Fuel feed line on fuel distributor	Nm 24

Fuel Rail

Fuel Injector: Service and Repair AR07.03-P-6522Q Remove/Install Injection Valves

Removing And Installing Injection Valves

- 1 Clutch
- 2 Fuel distributor
- 3 Anti-twist lock
- Y62 Fuel injection valves



P07 03-2063-06

🔧 🛠️	Removing/installing		
1	Detach coupling (1) on fuel injection valve (Y62)		
2	Remove fuel distributor (2) together with fuel injection valves (Y62)		AR07.03-P-1450Q
3	Detach anti-twist locks (3) on fuel injection valves (Y62)	<ul style="list-style-type: none"> ⓘ Installation: The anti-twist locks (3) must latch onto the fuel injection valves (Y62). 	
4	Remove fuel injection valves (Y62)	<ul style="list-style-type: none"> ⓘ Check O-rings on fuel injection valves (Y62); replace O-rings if necessary. ⓘ Installation: Lightly moisten O-rings with liquid lubricant. 	*BR00.45-Z-1003-06A
5	Install in reverse order	Liquid lubricant (naphtholene H)	