
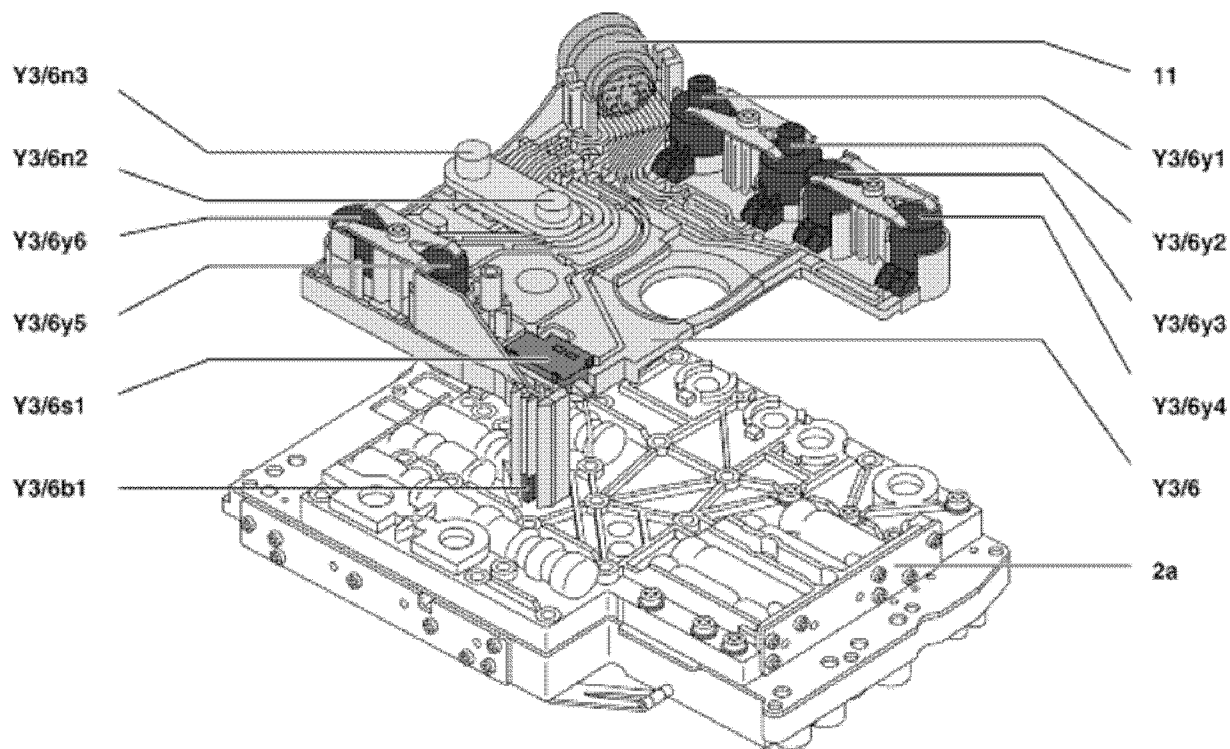


|                    |   |                    |  |
|--------------------|---|--------------------|--|
| GF27.10-P-0001-08G | Automatic transmission (AT),<br>location of electric/electronic<br>components | Transmission 722.6 |  GF |
|--------------------|---|--------------------|--|



P27.10-0340-79

2a Shift plate

11 Plug socket

Y3/6 Electric control unit

Y3/6b1 Transmission oil temperature sensor

Y3/6n2 RPM sensor 2

Y3/6n3 RPM sensor 3

Y3/6s1 Starter lockout contact

Y3/6y1 Modulating pressure control solenoid valve

Y3/6y2 Shift pressure control solenoid valve

Y3/6y3 1-2 and 4-5 shift solenoid valve

Y3/6y4 3-4 shift solenoid valve

Y3/6y5 2-3 shift solenoid valve

Y3/6y6 Torque converter lockup PWM solenoid valve