

AR27.35-P-0350A

Dismantle and assemble shift plate

24.1.95

## TRANSMISSION 722.6

**Location of regulating valve****A Area A:**

- Regulating valve, working pressure
- Regulating valve, lubrication pressure
- Regulating valve, overlap of range "2-3"

**B Area B:**

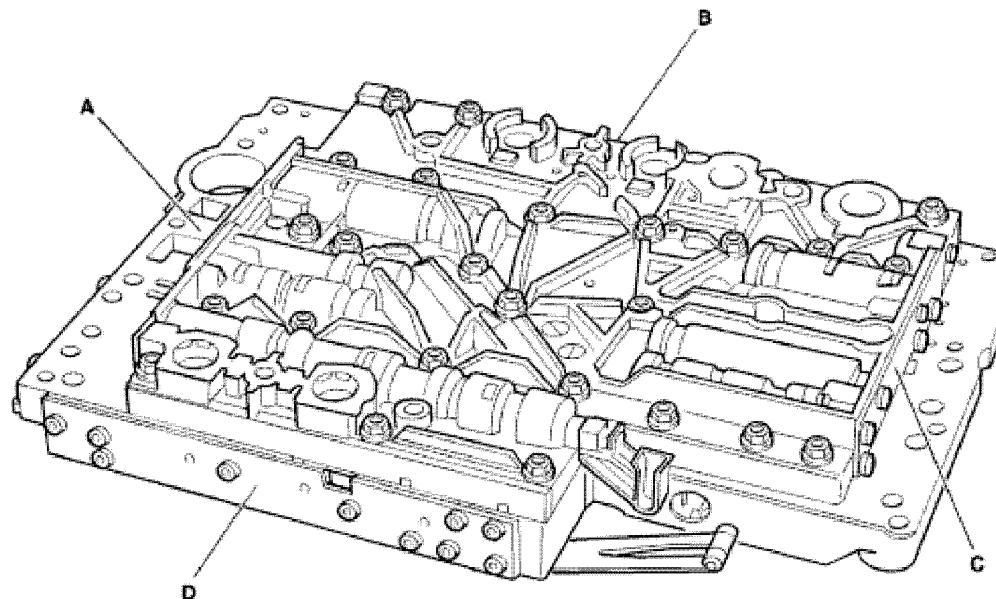
- Range "1-2" and "4-5"
- Regulating valve, shift pressure
- Regulating valve, control valve pressure
- Regulating valve, shift valve pressure

**C Area C:**

- Range "3-4"

**D Area D:**

- Range "2-3"
- Regulating valve, torque converter lock-up clutch
- Shift valve brake band 2



P27.35-0209-06

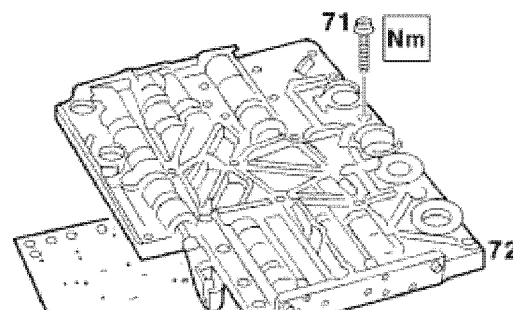
71 Screw

72 Valve body

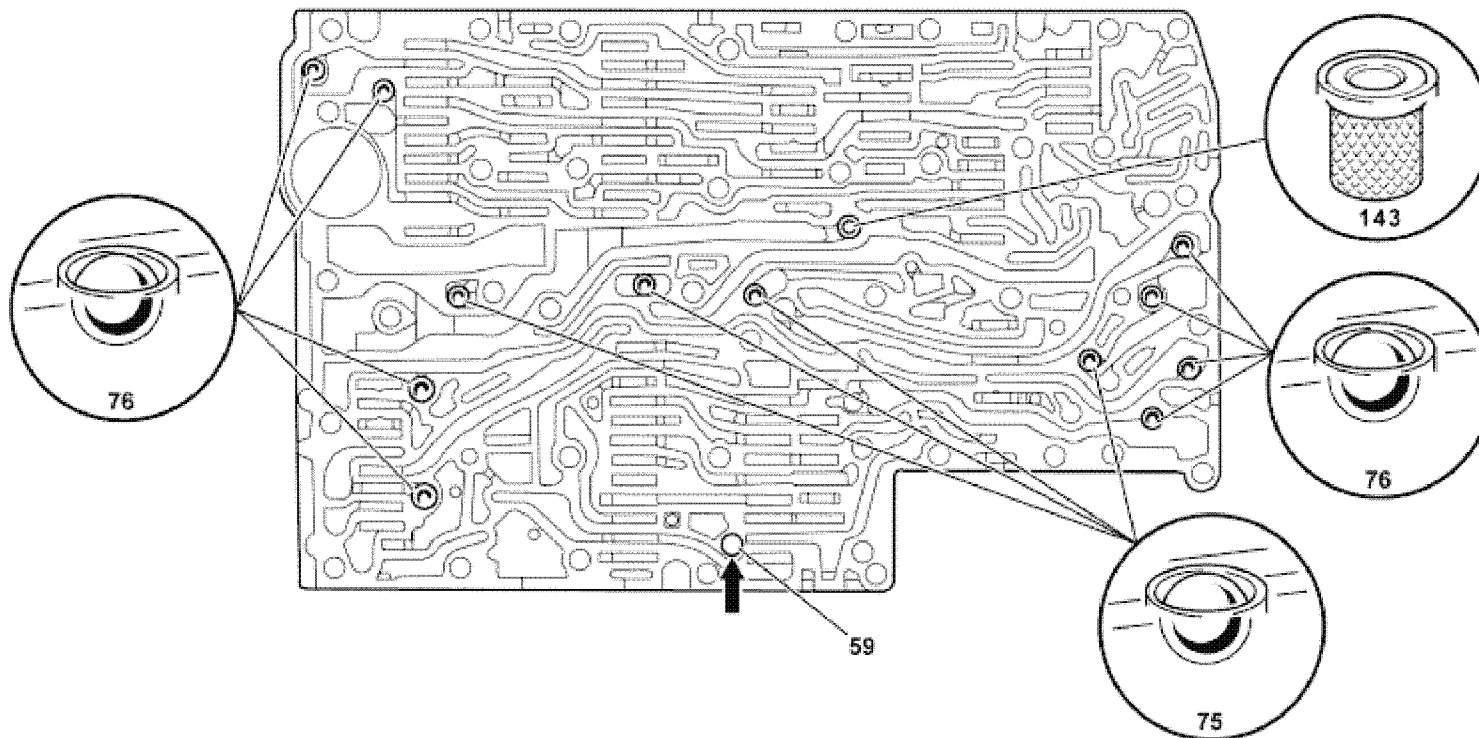
73 Sealing plate

74 Valve housing

82 Leaf spring



P27.35-0206-06



P27.35-0213-09

59 Dowel pin

75 Plastic valve ball  
76 Steel valve ball

143 Central filter screen

72 Valve body

72.1 Selector valve

72.2 Regulating valve, "2-3" overlap with sleeve and piston

72.3 Regulating valve lubrication pressure

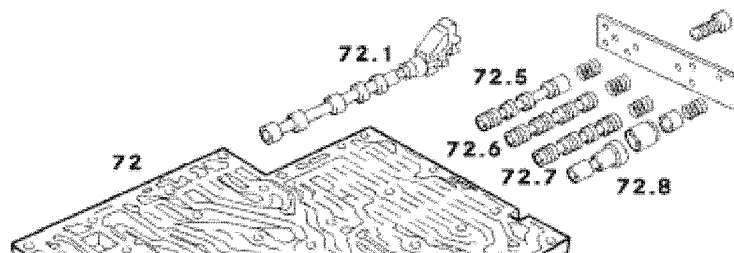
72.4 Regulating valve working pressure

72.5 Shift valve holding pressure "3-4"

72.6 Command valve "3-4"

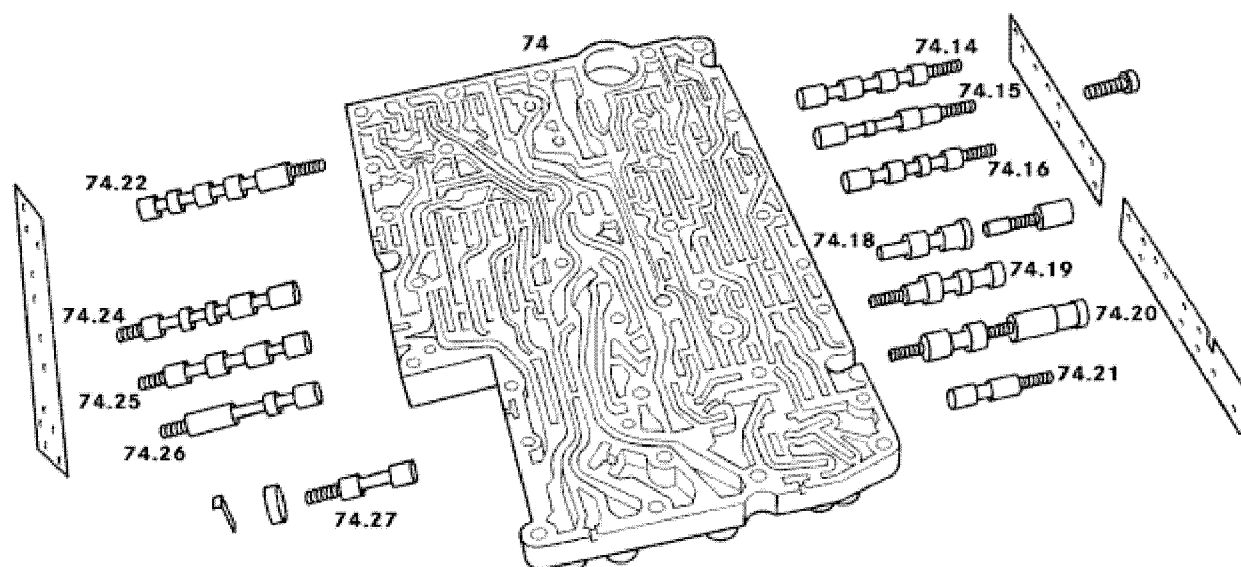
72.7 Shift valve shift pressure "3-4"

72.8 Regulating valve "3-4" overlap with



sleeve and piston

P27.35-0210-06



P27.35-0208-08


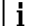

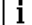

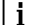





74 Valve housing  
 74.14 Command valves "1-2"  
 and "4-5"  
 74.15 Shift valve holding pressure "1-2"  
 and "4-5"  
 74.18 Regulating valve overlap "1-2"


74.19 Shift pressure regulating valve  
 74.20 Regulating valve control valve  
 pressure  
 74.21 Regulating valve shift valve  
 pressure  
 74.22 Regulating valve torque converter

74.24 "2-3" shift pressure shift valve  
 74.25 Command valve "2-3"  
 74.26 "2-3" holding pressure shift valve  
 74.27 Shift valve  
 "Multi-disk brake B2"

and "4-5" with sleeve and piston

lockup

|  |   |   |                    |
|--|---|---|--------------------|
|     | <b>Disassemble/assemble</b>   |   |                    |
| 1  | Remove leaf spring (82)   |   |                    |
| 2  | Remove valve body (72) from valve housing (74)                                  |  <b>Assembly:</b> Insert locating pin (59) into valve housing (74) (arrow).  |                    |
|  |   |    | BA27.35-P-1001-03A |
|  |   |  <b>Assembly:</b> Observe for transmission 722.6 as of end number 0538312:   |                    |
|  BT | Strainer for modulating pressure and shift pressure control solenoid valve, new | Transmission 722.6  | BT27.35-P-0004-01A |
|  |   |  <b>Assembly:</b> Observe for transmission 722.6 as of end number 0485895:   |                    |
|  BT | Strainer in inlet to converter lock-up control solenoid valve, new              | Transmission 722.6  | BT27.35-P-0005-01A |
| 3  | Remove gasket (73)  |  Located in the valve housing (74) are four plastic valve balls (75) and eight steel valve balls (76).   |                    |
| 4  | Remove side cover from valve housing (74) and valve body (72)                   |  All the valves are only to be checked for easy movement and swarf in case of requirement  |                    |
|  |   |    | BA27.35-P-1002-03A |
|  |   |  <b>Assembly:</b><br>The sleeves and pistons of the components<br>- regulating valve,<br>"2-3" overlap with sleeve and piston (72.2),<br>- "3-4" overlap |                    |

|  |   |  |                    |
|--|---|--|--------------------|
|  |   | regulating valve with sleeve and piston (72.8)<br>- and "1-2" and "4-5" overlap regulating valve with sleeve and piston (74.18) must not be interchanged as otherwise malfunctions will occur. |                    |
|  |   | <b>i</b> The shift valve "multi-disk brake B2" (74.27) can only be removed and installed if the valve body (72) has been removed.  |                    |
|  |   | <b>i</b> <b>Assembly:</b> Observe for transmission 722.6 as of end number 0027083:   |                    |
|  BT | Installation of a pressure feed valve                   |  | BT27.35-P-0002-01A |
| 5  | Wash all parts and blow them clean using compressed air | <b>i</b> Ensure that parts are not blown away. Only rags made of leather should be used to clean parts.  |                    |
| 6  | Assemble in reverse order                               |  |                    |

**Nm** Tightening torques of valve housing

| Number             | Designation                                      | Transmission 722.6 |    |   |
|--------------------|--|--------------------|----|---|
| BA27.35-P-1001-03A | Bolt, valve body to valve housing                | M6x30              | Nm | 8 |
| BA27.35-P-1002-03A | Bolt, side cover to valve body and valve housing | M4x12              | Nm | 4 |