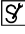

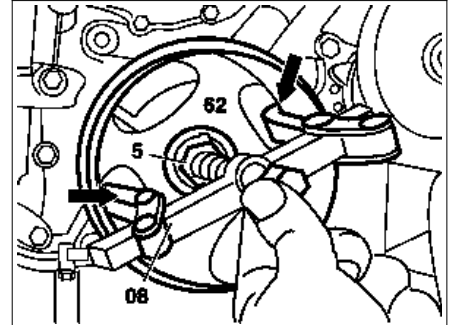


Two-legged puller

- 1 Screw the center bolt (5) into the crankshaft.
- 2  Fit on puller (08) at the belt pulley/ vibration damper (62) with its claws pointing out (arrows).
- 3 Position the spindle of the  puller (08) at the head of the center bolt (5).
- 4 Pull belt pulley/vibration damper (62) off the crankshaft.



P03.30-0222-01