

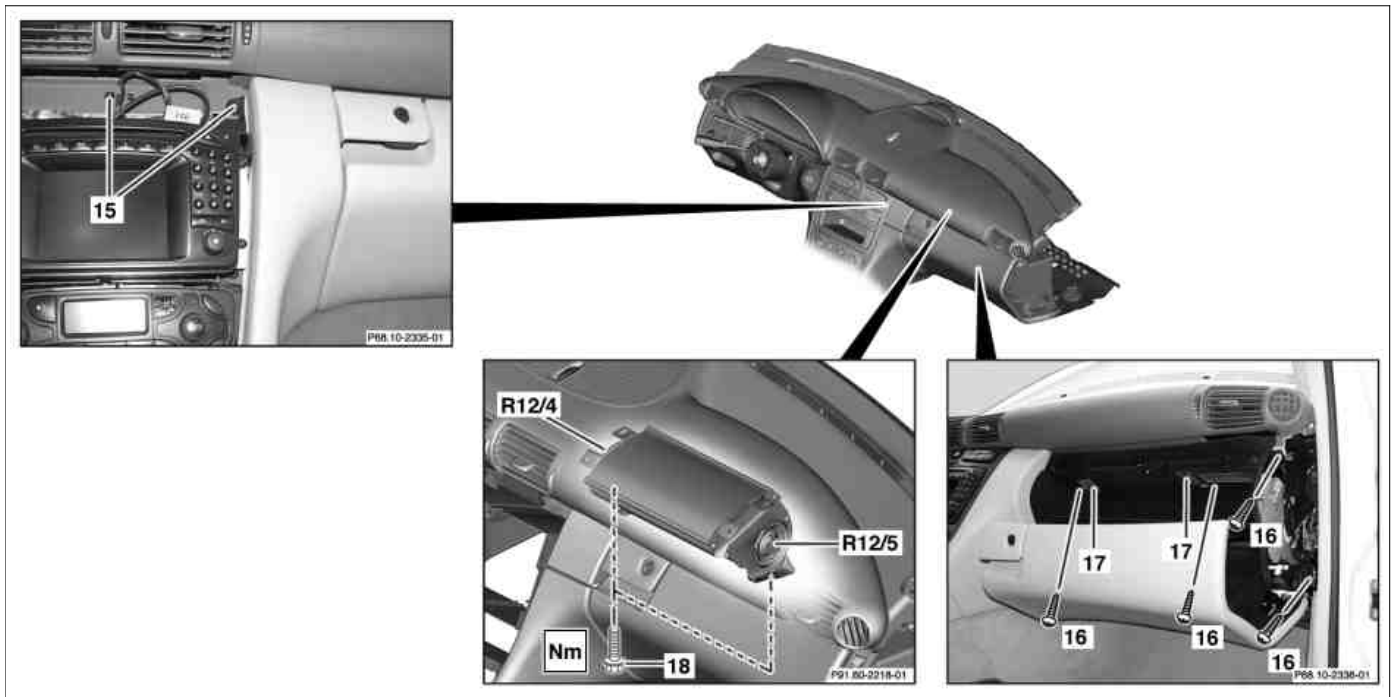
P68.10-2333-09

Shown in model 203.0

- 1 Cover on gearshift lever
- 2 Ashtray housing
- 3 Cover on center console
- 4 Center console

- 5 Center air nozzle, top
- 6 Instrument panel bottom section on driver's side
- 7 Steering wheel
- 8 Bolt for side air nozzle
- 9 Lock cover plate

- 10 Bolt
- 11 Instrument panel
- 12 Side cover
- A1 Instrument cluster
- S1 Lamp switch module



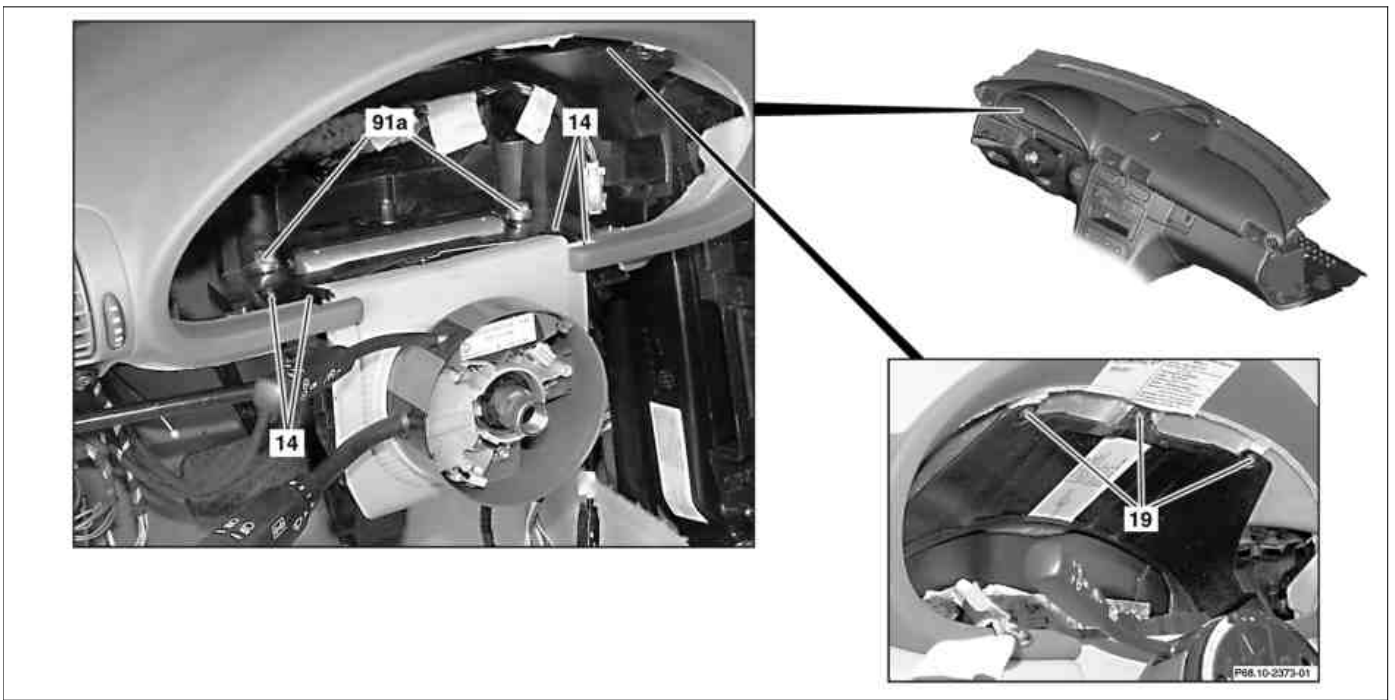
P68.10-2370-09

Shown in model 203.0

- 15 Bolt for center console

- 16 Bolts, passenger airbag on instrument panel carrier
- 17 Panel
- 18 Bolts, passenger airbag on carrier

- R12/4 Passenger airbag squib 1
- R12/5 Passenger airbag squib 2



P68.10-2372-09

Shown in model 203.0

14 Bolts, instrument panel on jacket tube paneling

19 Bolts, instrument cluster cover (A1) on instrument panel

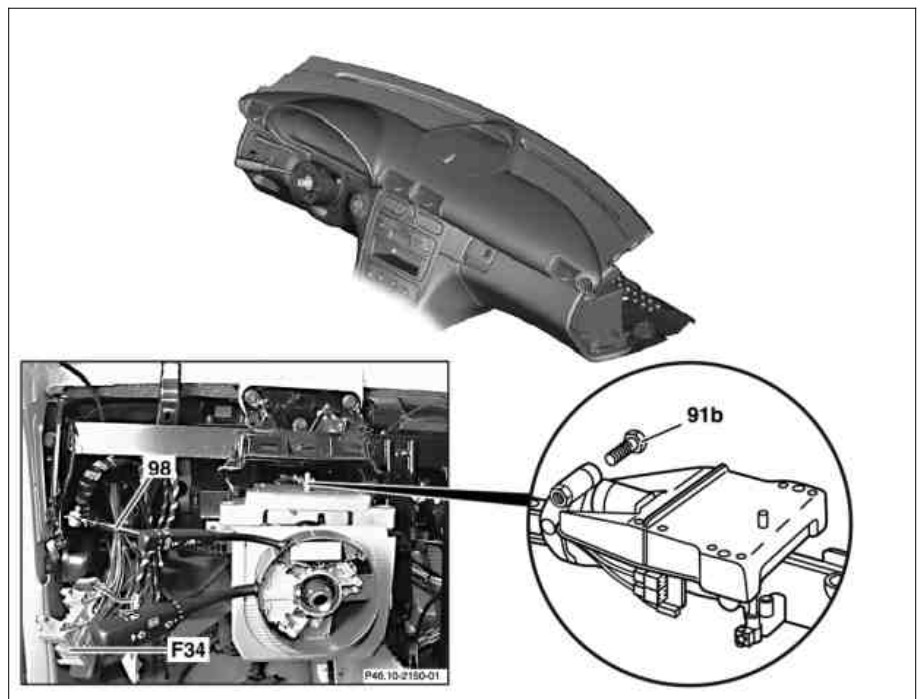
91a Upper bolts for steering column adjustment

Shown on model 203.0

91b Bottom bolts for steering column adjustment

98 Strut

F34 Interior fuse box



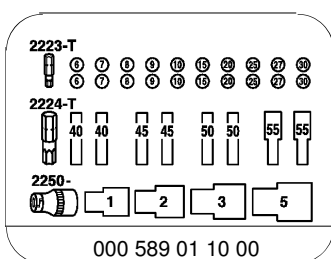
P68.10-2371-06

☒ ☒	Remove/Install		
⚠ Installation:	Replace self-locking nuts and bolts.		
⚠ Danger!	Risk of injury. Injuries may result when performing testing or repair work on airbag or emergency tensioning retractor units.	Store airbag units with deployment side facing up; do not expose to temperatures greater than 100 °C. When working on these units, disconnect the power supply.	AS91.00-Z-0001-01A
1	Move adjustable steering column all the way out and down		
2	Remove steering wheel (7)		AR46.10-P-0100P
3	Remove instrument cluster (A1)	⚠ Do not connect quiescent current retention unit.	AR54.30-P-6015P
4	Remove cover below instrument panel (left)		AR68.10-P-1500P

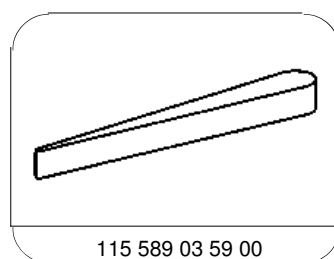
5	Remove bottom section of instrument panel on driver's side (6)		AR68.10-P-1505P
6	Remove center air nozzle (5) at top		AR68.10-P-1150PA
7	Unclip covers (9) and remove	Long wedge	*115589035900
8	Unscrew bolts (10).	Bolts, instrument panel on instrument panel carrier. Torx bit set	*000589011000
9	Unscrew bolts (15) from center console	Torx bit set	*000589011000
10	Remove paneling from right A-pillar		AR68.30-P-4050P
11	Remove side cover (12)		
12	Unscrew bolts from glove compartment housing (16)		
13	Break out covers (17) in glove compartment.	Installation: Replace cover.	
14	Unscrew bolts (18).	Bolt, passenger airbag on instrument panel carrier.	*BA91.60-P-1004-01A
15	Remove paneling from left A-pillar		AR68.30-P-4050P
16	Remove interior fuse box (F34)	Lay passenger compartment fuse box (F34) down to side with lines connected.	
17	Remove reinforcement brace (98)		
18	Unscrew bolts from jacket tube paneling (14)	Do not unscrew bolts (19) from instrument cluster frame (A1).	
19	Loosen bolt (91b)		
20	Unscrew bolts (91a)	Installation: Position upper and lower bolts for jacket tube (91a, 91b) Tighten upper bolts (91a) first	
21	Disconnect connector from left air outlet illumination (E10/2)	With code (581b) Comfort automatic air conditioning Lift instrument panel (13).	
22	Disconnect connector from right air outlet illumination (E10/3)	With code (581b) Comfort automatic air conditioning Lift instrument panel (13).	
23	Disconnect connector from passenger airbag squib 1 (R12/4)	Lift instrument panel (13).	
24	Disconnect connector from passenger airbag squib 2 (R12/5)	Lift instrument panel (13).	
25	Remove instrument panel (13) through passenger door opening	Remove instrument panel (13) with helper Avoid damaging instrument panel (13). Installation: Route lines for Parktronic system warning display (with code (220a) Parktronic system (PTS)) and lines for sound system (with code (810) sound system) through opening of upper center nozzle	
26	Install in the reverse order		
27	Read out DTC memory Connect STAR diagnosis tool, read out DTC memory, erase		AD00.00-P-2000-04A

Airbag

Number	Designation	Model 203
BA91.60-P-1004-01A	Bolt, front passenger airbag unit to instrument panel mounting	Nm 8



Torx bit set



Long wedge