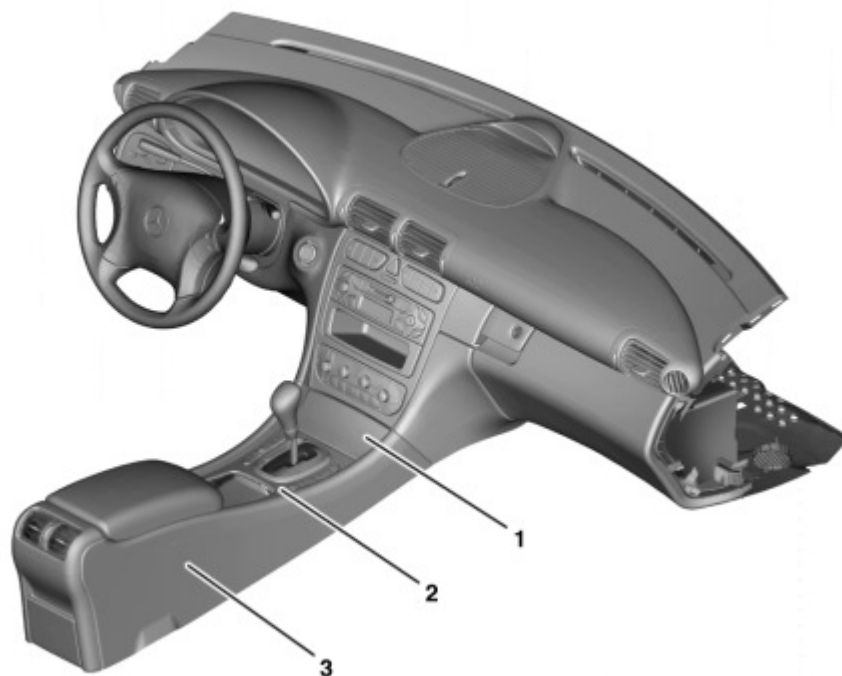


AR68.20-P-2000P	Remove/install center console	23.8.99
-----------------	-------------------------------	---------

**MODEL 203**

- 1 Ashtray housing
- 2 Shift lever cover
- 3 Center console



P68.20-2215-06







P68.20-2307-09

4 Bolts  
5 Cover  
6 Bolt

7 Catch lugs  
8 Bolts  
9 Electrical connector

10 Bolts  
11 Stowage compartment

	Remove/Install		
1	Remove ashtray housing (1) at front on center console (3)		<a href="#">AR68.20-P-2400P</a>
2	Remove bolts (4)		
3	Unclip left and right cover (5) at front on center console (3)		
4	Turn bolt (6) approx. 1/2 turn in direction of arrow		
5	Open cover on stowage compartment (11)		
6	Remove cup holder		
7	Remove storage compartment (11)	 Lightly press in stowage compartment (11) from outside and pivot out toward side.	
8	Unclip catch lugs (7) and press cigar lighter away toward rear		
9	Disconnect electrical connector (9).		
10	Remove bolts (8)	 Replace self-locking bolts (8).	
11	Unlock center armrest and move to vertical position		
12	Remove carpet insert in stowage compartment		
13	Remove bolts (10)		
14	Remove center console (3) toward rear	 Lift center console (3) at rear	
15	Reinstall in opposite order		