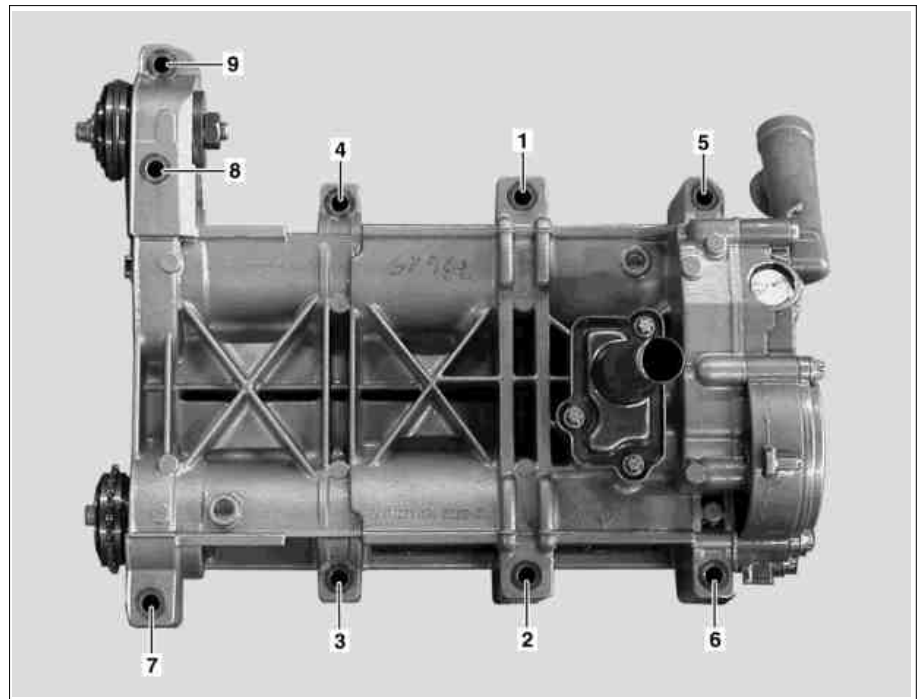


i Tighten the bolts in the Lanchester differential housing according to their numbering sequence.

- 1 M8X90
- 2 M8X90
- 3 M8X65
- 4 M8X65
- 5 M8X90
- 6 M8X90
- 7 M8X80
- 8 M8X90
- 9 M8X65



P03.20-2137-06