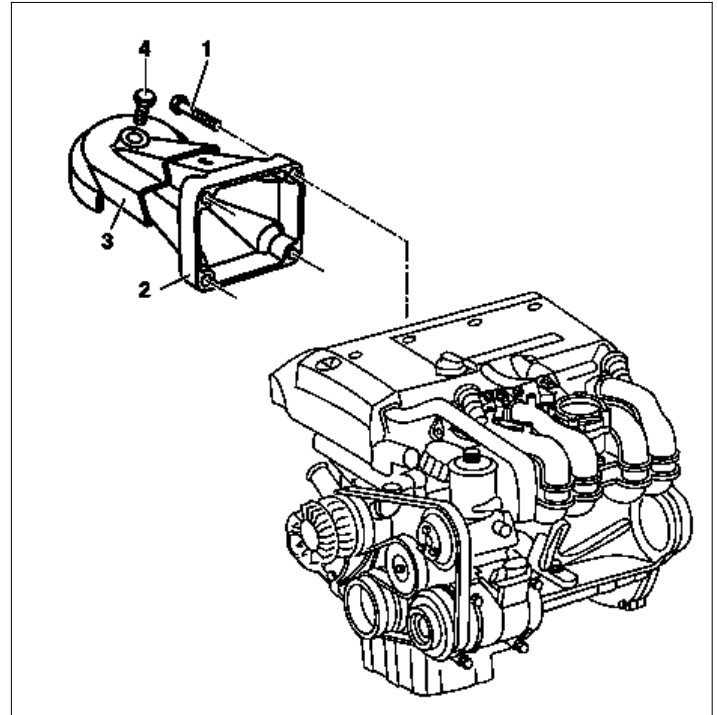


ENGINE	111.955 in MODEL 203.045
ENGINE	271.940 in MODEL 203.042 /242 /742, 209.342 /442
ENGINE	271.941 in MODELS 211.042 /242
ENGINE	271.946 in MODEL 203.046 /246 /746
ENGINE	271.948 in MODEL 203.040 /740
ENGINE	271.921 in MODEL 203.730
ENGINE	271.955 in MODEL 209.341 /441
ENGINE	271.956 in MODEL 211.041 /241
ENGINE	271.957 in MODEL 203.741
ENGINE	271.942 in MODEL 203.043 /243 /743

- 1 Screw
- 2 Engine support
- 3 Shield
- 4 Engine mount bolt



P22.10-2080-12

	Remove/install		
⚠ Danger!	Risk of death caused by vehicle slipping or toppling off of the lifting platform.	Align vehicle between columns of vehicle lift and position four support plates at vehicle lift support points specified by vehicle manufacturer.	AS00.00-Z-0010-01A
1	Remove engine mounts	Engine 111.955, 271.941/ 956 Engine 271.921 /940 /942 /946 /948 /955 /957	AR22.10-P-1100PK AR22.10-P-1100QK
2	Remove bolt (1)	Engine 111 Engine 271	*BA22.10-P-1005-01A *BA22.10-P-1001-02A
3	Remove engine support (2)	Installation: Before installing engine support, shield (3) and bolt (4) for engine mount must be mounted at engine support.	
4	Install in the reverse order		

Engine suspension, engine mounts, engine supports

Number	Designation	Engine 111 in model 203
BA22.10-P-1005-01A	Bolt, engine support to cylinder crankcase	Stage 1 Nm 20

		Stage 2	Nm	-
--	--	---------	----	---

Nm Engine support (engine side)

Number	Designation	Engine 271
BA22.10-P-1001-02A	Bolt, engine support to cylinder crankcase	Stage 1 Nm 20
		Stage 2 4° 90