

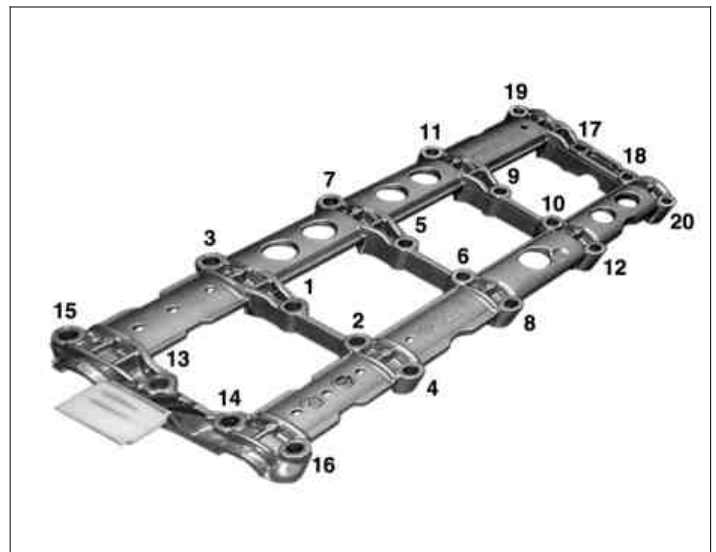
Nm Cylinder head

Number	Designation	Engine 271			
BA01.30-P-1003-01J	Bolt, upper part of camshaft bearing housing at cylinder head	M7	Stage 1	Nm	10
			Stage 2	Δ°	90

Nm Camshaft bearing housing

Number	Designation	Engine 271 in model 906			
BA05.20-N-1001-03A	Bolt, camshaft bearing housing upper section to cylinder head	M7	Stage 1	Nm	10
			Stage 2	Δ°	90

- 1 Tighten bolts of camshaft bearing housing in the numerical sequence.



P05.20-2119-11