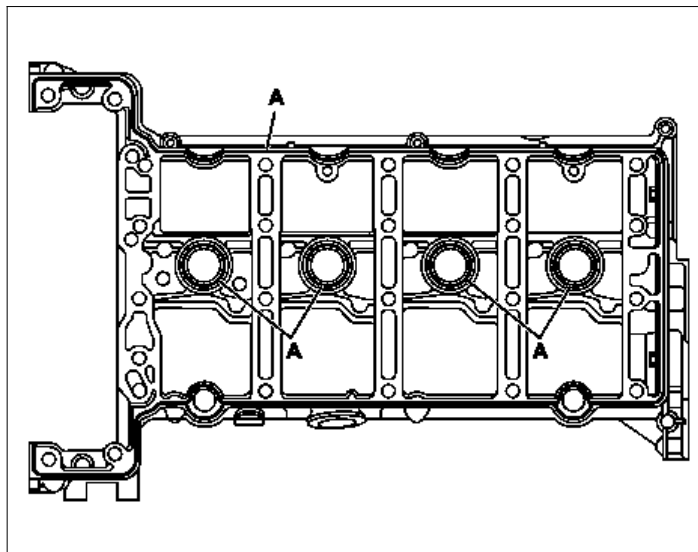


ENGINE 271.951 in MODEL 906
ENGINE 271

The sealing surfaces must be free of oil and dirt. The sealant may only be applied to the specified surfaces in the form of a bead with height and width of 2.0 mm (± 0.5 mm). The sealant must be applied within 10 min. The bead should not be spread.

Only the approved sealant may be used.

i The lines (A) identify the application of the sealant.



D05.20-1147-11