

**DTB**

Date: April 8, 2008
Order No.: P-B-82.10/195f
Supersedes: P-B-82.10/195e dated March 15, 2006
Group: 82

Revision History

Revision	Date	Purpose
f	4/8/08	VIN Range and Applicable Models Updated
e	3/15/06	Warranty Information Updated
d	2/16/06	Applicable VIN Range Added
c	7/1/03	Warranty Information Updated
b	8/2/02	Warranty Information Included
a	6/12/02	Part Number Included
-	5/16/02	Initial issue

**SUBJECT: Model 203.052/054/056/061/064/065/076/081/084/087/092/261/264/281/284/740/747/764
Up to VIN A339771, F261050 and R053444
Front Turn Signal Inoperative**

If you receive customer reports in the above model vehicles of the front turn signal not working, this may be due to a contact problem between the turn signal bulb socket and the headlamp housing. In this case, perform the following repair only on the affected side of the vehicle.

1. Remove E1e2 (left turn signal) or E2e2 (right turn signal) from the headlamp housing. Refer to WIS document no. AR82.10-P-1201P, R&R Bulbs – Headlamp Unit.
2. Check outer contacts of the bulb socket for damage. If damage is visible, repair as follows.
3. Disconnect 5-pin connector at headlamp housing.
4. Open pin lock (Figure 1, 3) on connector (Figure 1, 2) and “un-pin” turn signal wire (Figure 1, 1) from connector. Left side, pin 1 is white/black. Right side, pin 1 is green/black. Refer to WIS document no. AR00.19-P-0120-02B, Removing Contacts from Sensor Connector.
5. Plug empty chamber with a rubber plug, refer to parts information section for part number.
6. Remove contact housing (Figure 2, 4) from connector (Figure 2, 5) and insert “un-pinned” turn signal wire removed in step 4 (Figure 2, 1) into chamber 2 of contact housing (Figure 2, 4) (from repair set). Prior to assembly, check individual gaskets for damage.
7. Reconnect contact housing (Figure 2, 4) with connector (Figure 2, 5). Housing must audibly click into place.

This bulletin has been created and maintained in accordance with MBUSA-SLP S423QH001, Document and Data Control, and MBUSA-SLP S424HH001, Control of Quality Records.

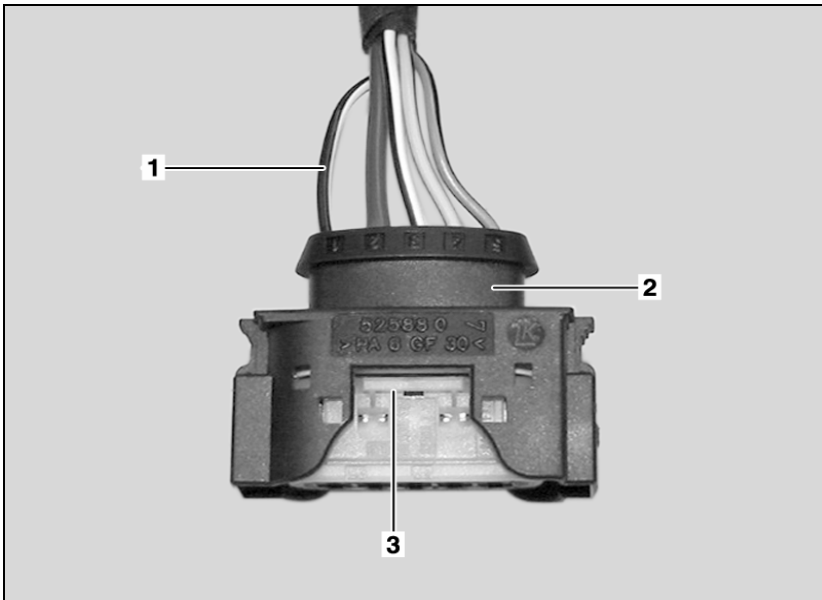


Figure 1

P-B-82.10/195d

Plug from headlamp assembly

1 Turn signal wire located in chamber 1 of existing headlamp housing connector (2)

2 Headlamp housing connector

3 Connector locking tab

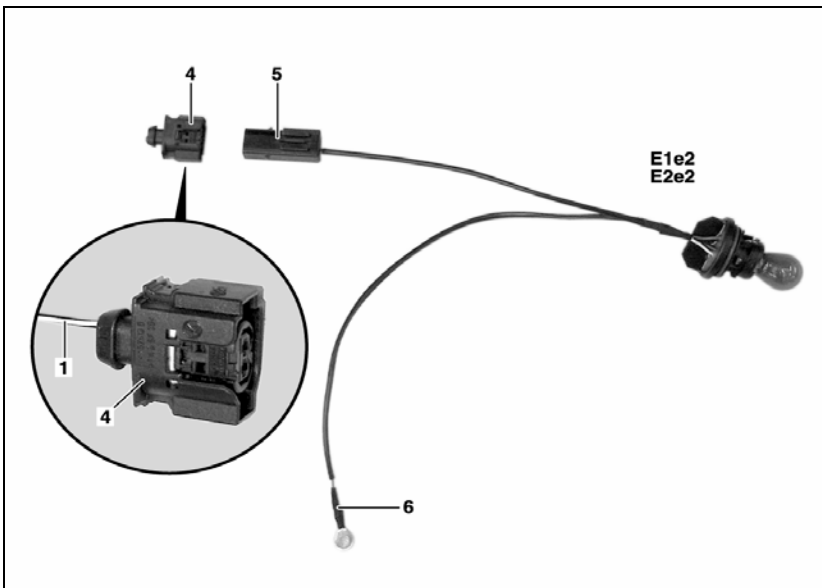


Figure 2

P-B-82.10/195d

Turn signal repair set

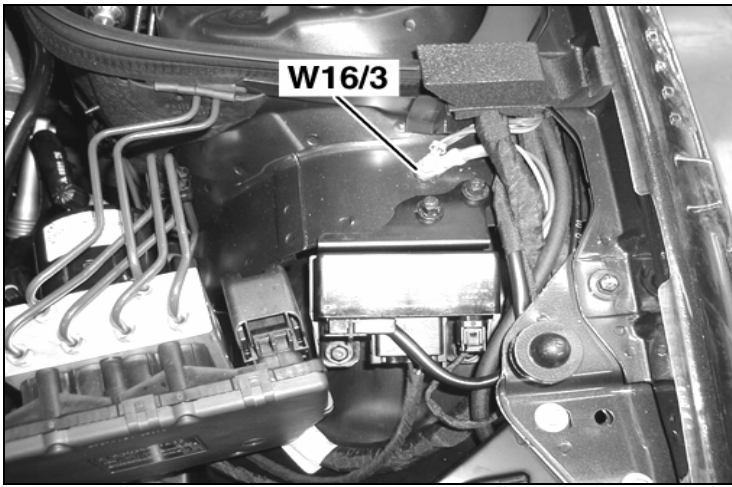
1 Turn signal wire from headlamp

4 Repair set connector

5 Turn signal bulb socket connector

6 Turn signal bulb socket ground wire

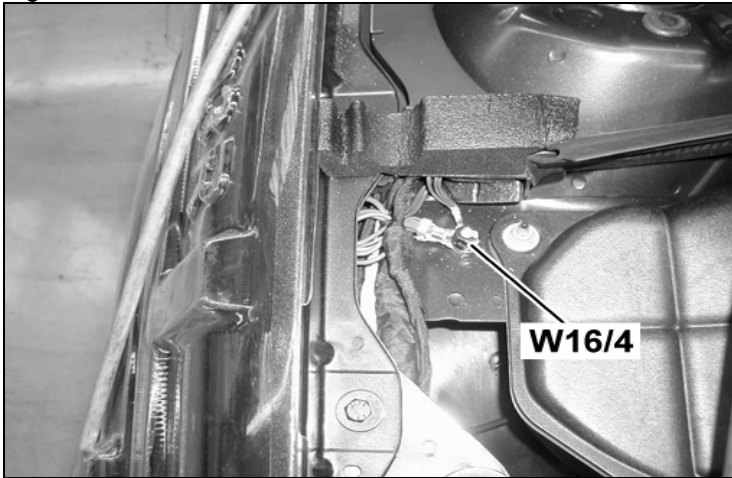
8. Connect cable eyelet (Figure 2, 6) of the repair set with the component compartment ground (Figure 3, W16/3) if repairing the left turn signal or the component compartment ground (Figure 4, W16/4) if repairing the right turn signal.
9. Install E1e2 (left turn signal) or E2e2 (right turn signal) into the headlamp housing.
10. Re-connect connector (Figure 1, 2) with headlamp housing.
11. Attach repair harness set along the original harness with two cable ties in such a way that the harness will not be abraded and /or cause any noise.



Ground location on left side of engine compartment

Figure 3

P-B-82.10/195d



Ground location on right side of engine compartment

Figure 4

P-B-82.10/195d

Parts Information

Qty.	Part Name	Part Number
1	Repair set, USA version (white bulb socket), one side	A203 826 02 82
1	Plug, rubber	A000 545 78 80
2	Cable tie	Local Purchase



Note: The following allowable labor operations should be used when submitting a warranty claim for this repair. This information has been generated on April 8, 2008. Please refer to Netstar → Star TekInfo → Star Time for the most current labor time allowance.

In Case of Warranty

Operation: Wiring harness - one front turn signal lamp, install/repair (54-7947)
 Wiring harness – both front turn signal lamps, install/repair (54-7949)

Damage Code	Operation Number	Time (hrs.)	Model Indicator (s)
82104 74	54 7947	0.5 hrs.	QA, Q1, Q2, Q4, Q5, Q6, Q7, Q8, Q9, P1, P2, P3, P4, P5, P6, P7, P8, P9
	OR		
	54 7949	0.7 hrs.	QA, Q1, Q2, Q4, Q5, Q6, Q7, Q8, Q9, P1, P2, P3, P4, P5, P6, P7, P8, P9