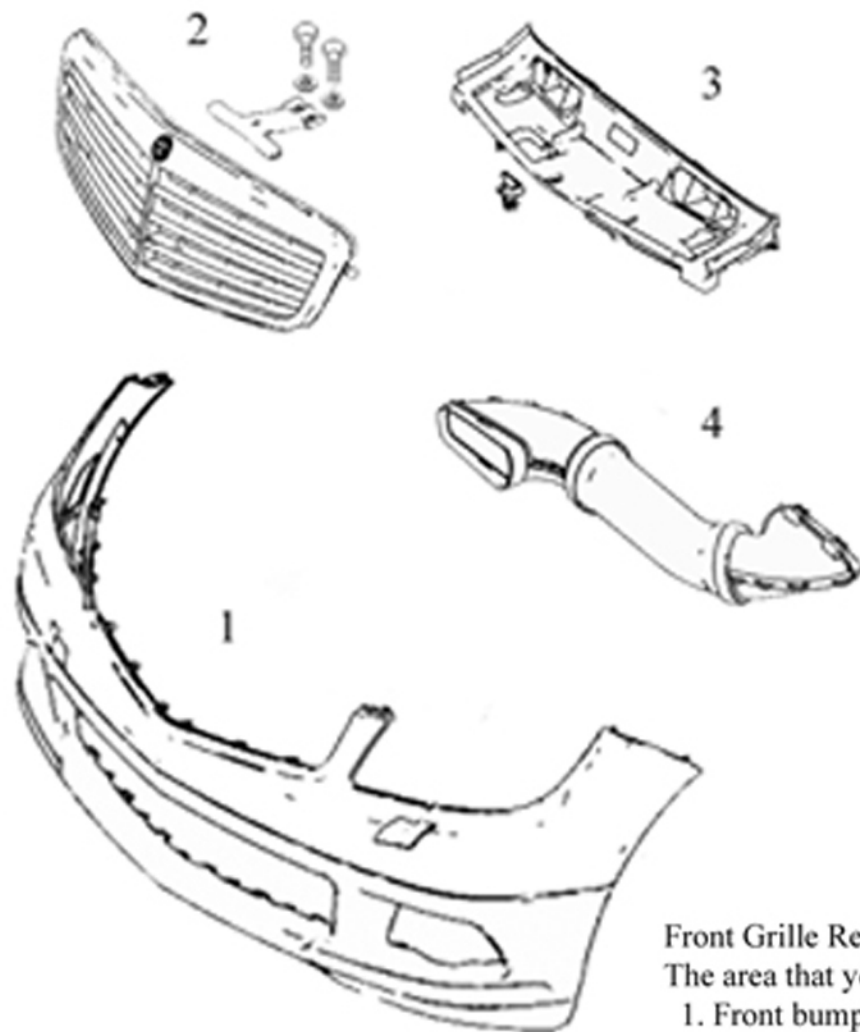


# Mercedes Benz C Class W204

## Front Grille Removal Instructions

By:syrAMG

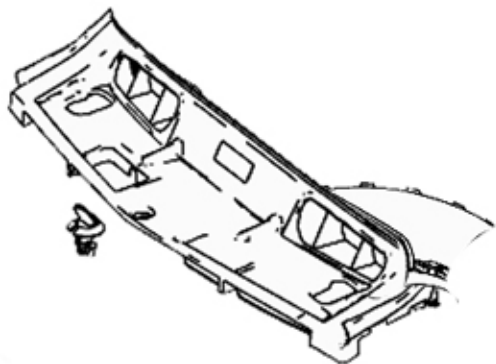


### Front Grille Removal and Installation.

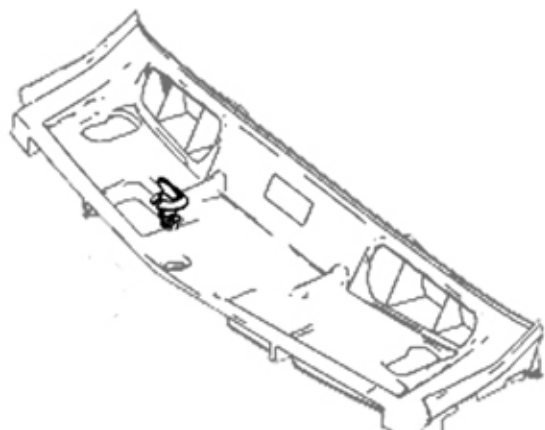
The area that you will be working consists of 4 sections

1. Front bumper
2. Front grille with T shaped holding bar with bolts (x2)
3. Radiator mounting cover
4. Air intakes (x2 L&R)

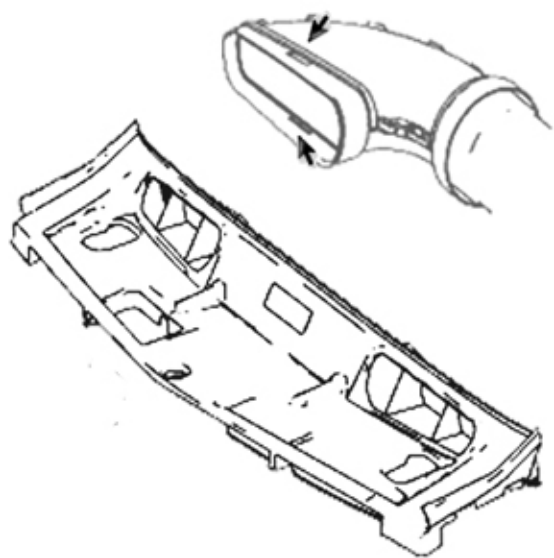
Step 1 removing Radiator Mounting cover.



The Radiator Mounting Cover is held on to the frame by 4 clamps. the grille T shaped holding bar is held by the circular notch, located in the front.



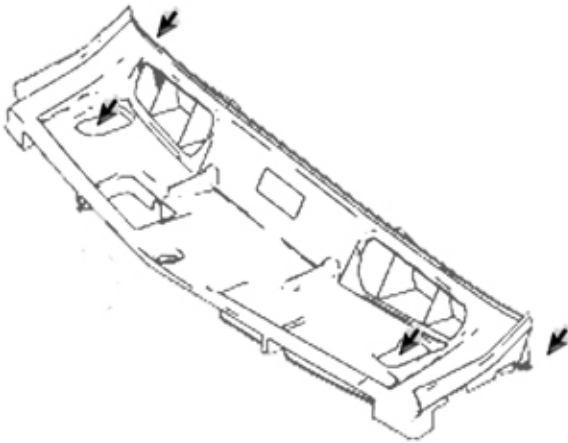
Remove the circular notch that is holding the T shaped bar from the Radiator Mounting Cover. The notch right now should be at the 9&3 O'clock position the "locked" position. Twist the notch to the 12&6 O'clock position. it should become loose. the bottom half of the notch you cannot see at this point is shaped like a W therefore you must twist and pry out the notch using a flat edge such as a flat head screwdriver.



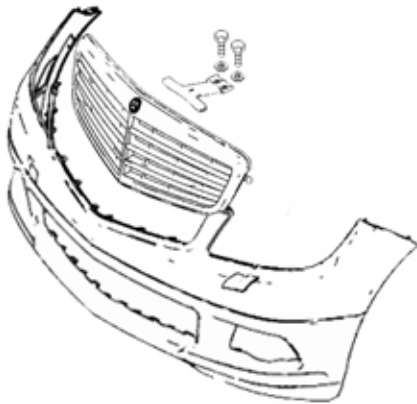
Now that the Notch is removed we will need to remove the air intakes. The air intakes are held together by notches located at the middle of the intake case both at the top and bottom of the casing shown by the arrows. To remove them use a flathead screwdriver and push down on the intake. When the top part of the casing is removed, the entire air intake should come off. Remove both left and right air intakes.

The Radiator Mounting Cover is held down by 4 notches located at the arrows. you can apply pressure to remove these or with an aid of a flathead screwdriver.

\*Note: there are wiring connected to the Radiator Mounting so please make sure you remove them prior to removing the Mounting Cover.



## Step 2 Removing the Front Grille & T Brace



The Grille is held down by the T Brace mounted on the body by 2 bolts. The edges of the grille are held by nobs on either side. and the bottom is clamped by the front bumper.

Remove the T Brace using a wrench hold down the bottom half of the grille, that is connected to the bumper and apply pressure inward. as you can see from the diagram on the left, the bottom half is clamped by 10 clamps, which can be easily removed by applying pressure inward towards the radiator.

Once the bottom half is removed from the bumper, carefully remove the grille up and outward towards you. The grille should now be removed.

Replacing the grille and putting everything back should not be a problem by reversing the steps taken. However please make sure when installing the new grille that it is fit snug. the grille should not be able to come off easily To be sure that the grille is securely in place, apply pressure inward from the back side of the grille towards the bumper. You should hear a “snap” sound when attaching the Grille to the bumper.

Prior to placing the mounting back on, testfit to see if the grille is properly fit when the hood is closed, also check to see if there are no loose parts on the grille. **In some kits the Center STAR can come off easily. I recommend adding 3M auto tape to ensure that the pieces are intact when driving.**

Please do the same for placing the mounting cover back into place as well as the intakes. They should all “snap” back in without any loose parts.