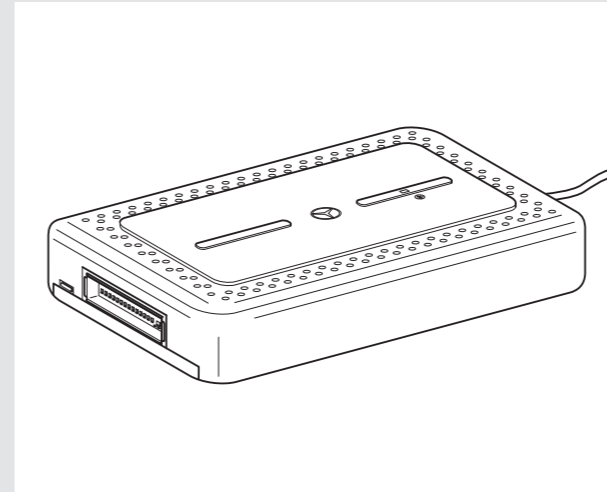




Mercedes-Benz



Media Interface Plus

This device complies with Part 15 of the FCC Rules.
Operation is subject to the following two conditions:
(1) this device may not cause harmful interference, and
(2) this device must accept any interference received,
including interference that may cause undesired operation.

Issued by

Mercedes-Benz Accessories GmbH, Stuttgart · A Daimler AG Company.

The manufacturer reserves the right to change technical details from those shown in data and illustrations contained in these Operating Instructions.

Reprinting, translating and reproduction, in whole or in part, are not permitted without the prior written consent of Mercedes-Benz Accessories GmbH or Daimler AG.

As at: 14.07.2010

Title Illustration: M+P-03F-7724

03F025- 10

Contents

Explanation of Symbols	3	Audio Streaming	12
Operating Safety	3	Operation	12
General Notes	4	Starting audio streaming automatically	12
Set Up and Overview	4	Playing iPod® Video Files	13
Connecting the Media Interface Plus	4	General Notes	13
Authorizing the Media Interface Plus	5	Play iPod® Video Files	13
Functions Overview	6	Text messages (SMS)/e-mails	13
Bluetooth® Connection to the		Reading out Text Messages (SMS)/e-mails ...	13
Media Interface Plus	7	Answering text messages/e-mails	14
Authorization	7	Storing standard texts on the	
Establishing a Automatic Connection	8	Media Interface Plus	15
Establishing a Manual Connection	8	Updating Stored Text Messages (SMS)/	
Automatically Disconnecting the		e-mails	15
Bluetooth® Connection	8	Transferring the Phonebook	16
Manually Disconnecting the		Resetting to Factory Settings	17
Bluetooth® Connection	9		
Connecting an iPod®/iPhone® to the			
Media Interface Plus	9		
General notes	9		
Connecting the iPod®/iPhone®	10		
Selecting the iPod®	10		
Playing the internet radio			
(Pandora Radio)	10		
Operation	11		

Explanation of Symbols

Warning!

Warning notices draw your attention to hazards that may endanger your health or life, or the health or life of others.

Important

A text marked with this symbol alerts you to a risk of material and functional damage.

Note

A text marked with this symbol offers advice and additional information.

1. Numbered lists describe specific operating steps.

- Bullet lists present you with a selection.

Messages that appear in the display are set in this typeface.

Operating safety

Warning!

Always pay attention to the traffic conditions. Only use the Media Interface Plus or the respective connected/authorized end device (e.g. mobile phone, iPod[®], media player) when the traffic situation allows this. The use of the Media Interface Plus or the connected/authorized end device may distract you from the traffic situation and you could thus lose control of your vehicle and cause an accident.

Media Interface Plus

General Notes

Do not open the Media Interface Plus and never make any modifications to it. The general operating permit and/or any corresponding express and/or implied product warranties would be rendered invalid and void in these situations. Mercedes-Benz is constantly updating its Media Interface Plus to the state of the art and, therefore, reserves the right to introduce changes in design, equipment and technical features.

These operating instructions refer to the audio operating instructions as well as the operating instructions of different end devices (e.g. mobile phone, iPod®, media player). Please keep these handy for reference.

The end devices are not designed for the extreme temperatures that can occur inside the vehicle and can be damaged as a result. It is, therefore, recommended that you do not leave the end devices in a parked vehicle. For more information or notes on installation, please refer to the operating instructions of the corresponding end device.

An authorized Mercedes-Benz Service Center will be happy to assist you at any time.

Set Up and Overview

The availability of individual functions depends on the respective connected/authorized end device. (Please refer to the operating instructions of the corresponding end device.) Your authorized Mercedes-Benz Service Center can provide you with information about the devices supported by the Media Interface Plus.

Connecting the Media Interface Plus

Warning!

Only connect the Media Interface Plus when the vehicle is at a standstill. Otherwise, your attention may be drawn away from the traffic, potentially resulting in an accident and injury to yourself and others.

1. Open the glove box or storage compartment in the center console, depending on where the Media Interface (Code 518) is located in your vehicle.
2. If necessary, unplug the Media Interface Consumer Cable (iPod/USB/AUX) at the connection point in the glove box or storage compartment in the center console.
3. Plug in and store the Media Interface Plus.
4. If desired, reconnect the Media Interface Consumer Cable (iPod/USB/AUX) .

Media Interface Plus

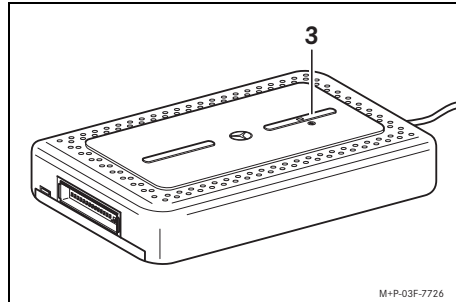
Authorizing the Media Interface Plus

When using the Media Interface Plus for the first time, a one-time authorization of the Media Interface Plus on COMAND or the audio system in the vehicle is necessary to enable the phonebook to be transferred. (Please refer to page 16.)

Note

The authorization of the Media Interface Plus on COMAND or the audio system is not possible on the following vehicles: CL-Class, model series 216 (Model Year 2010), E-Class, model series 207 and 212, as well as S-Class, model series 221 (Model Year 2010). Transferring the phonebook on these vehicles is done using the telephony of COMAND or the audio system.

1. Switch on COMAND or the audio system and call up the menu *System*. (Please refer to the audio operating instructions.)



2. Press the Bluetooth® button (3) on the Media Interface Plus for approx. 3 seconds.
The LED on the Bluetooth® button (3) lights up green.
3. On COMAND or the audio system, select *Settings* → *Bluetooth* → *Bluetooth device list* → *Update*.
Available Bluetooth®-capable devices are searched for and displayed.
4. Select *MI plus* from the list of available devices and confirm.
5. Enter the Bluetooth® pin 62872 on COMAND or the audio system.
The authorization is confirmed.

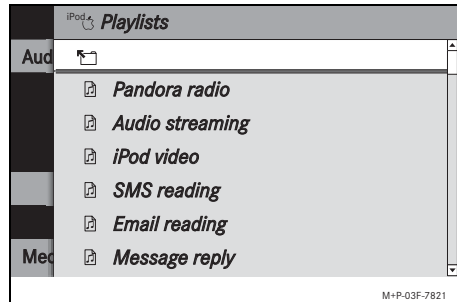
Media Interface Plus

Functions Overview

Note

The basic functions of the Media Interface can still be used without restriction. To play iPod® audio files, the iPod® can be connected using the existing Media Interface Consumer Cable.

Please observe the warning notices, the general safety instructions, the notices and information in the operating instructions of COMAND or the audio system.



The Media Interface Plus expands the basic functions of the Media Interface by:

- Playing the Internet Radio (Pandora Radio)
- Audio streaming via Bluetooth® connection
- Playing iPod® video files¹
- Reading out/Answering² Text Messages (SMS)
- Reading out/Answering² e-mails*
- Transferring the phonebook to COMAND or the audio system and
- Charging the mobile phone³.

¹ To play iPod® video files, the iPod® must be connected to the Media Interface Plus using an iPod® video cable. This connection cable is not part of the scope of delivery and must be purchased separately at your authorized Mercedes-Benz Service Center.

² Answering with pre-determined/individual standard texts.

³ To charge the mobile phone, a USB data cable for the mobile phone used is required in addition to the USB adapter. This USB data cable is included in the scope of delivery of your mobile phone or it can be purchased at your mobile phone dealer.

* The Read aloud/Answer e-mails function will be available with a future software version. Consult your Mercedes-Benz Center for information about software updates.

Media Interface Plus

Bluetooth® Connection to the Media Interface Plus

To successfully establish a Bluetooth® connection, both the end device and the Media Interface Plus must be switched on and Bluetooth® must be activated. The end device to be connected must be located in the vehicle. The first time you use the Media Interface Plus with another device, the end device must initially be authorized on the Media Interface Plus.

Authorization



Warning!

Only authorize the end device on the Media Interface Plus when the vehicle is at a standstill. Otherwise, there is a risk that you could be distracted from the traffic situation and cause an accident.

Note

Depending on the end device, you may need to make corresponding settings for the authorization and for an automatic connection with the Media Interface Plus. (Please refer to the operating instructions of the respective end device.)

1. Switch on COMAND or the audio system. (Please refer to the audio system operating instructions.)
2. On COMAND or the audio system, select Audio → Media Interface → Music → Playlists → Device list → Add device.

or

2. Press the Bluetooth® button on the Media Interface Plus for approx. 3 seconds. The LED on the Bluetooth® button lights up green. The Media Interface Plus is available for approx. 5 minutes to establish a Bluetooth® connection and can be discovered by the end device.
3. Activate the Bluetooth® function of the end device. (Please refer to the respective end device's operating instructions.)
4. On the end device, start the search for other Bluetooth® devices. (Please refer to the respective end device's operating instructions.)
Available Bluetooth®-capable devices are searched for and displayed.
5. Select **MI plus** from the list of available devices and confirm.
6. When prompted, enter the Bluetooth® pin 62872 on the end device.

Media Interface Plus

The LED on the Bluetooth® button lights up blue. A Bluetooth® connection between the Media Interface Plus and end device is established once the message `No device connected` disappears.

Note

Up to 5 end devices can be authorized on the Media Interface Plus. If a 6th end device is authorized, the first device will be deleted from the memory of the Media Interface Plus. Parallel operation of multiple devices on the Media Interface Plus is not possible.

Establishing an Automatic Connection

If end devices have already been authorized on the Media Interface Plus, the search for the last connected device is started when COMAND or the audio system is switched on and a Bluetooth® connection is established if necessary. A Bluetooth® connection between the Media Interface Plus and end device is established once the message `No device connected` disappears.

Establishing a Manual Connection

1. Switch on COMAND or the audio system. (Please refer to the audio system operating instructions.)

2. On COMAND or the audio system, select `Audio → Media Interface → Music → Playlists → Device list`.
3. Select the already authorized end device you would like to use from the list and confirm with OK.

A Bluetooth® connection between the Media Interface Plus and the end device is established once the message `No device connected` disappears.

Note

If there is an active Bluetooth® connection between the Media Interface Plus and another end device, this connection is automatically disconnected in order to establish the newly requested connection.

Automatically Disconnecting the Bluetooth® Connection

If you go beyond the reception range of approx. 30 ft (10 meters) with the end device, the Bluetooth® connection between the end device and the Media Interface Plus is automatically disconnected.

Media Interface Plus

Manually Disconnecting the Bluetooth® Connection

The Bluetooth® connection between the end device and the Media Interface Plus can be disconnected manually on the end device. (Please refer to the operating instructions of the end device.)

Or:

1. On COMAND or the audio system, select Audio → Media Interface → Music → Playlists → Device list.
2. Select the currently connected end device from the list and confirm with OK.

The Bluetooth® connection between the Media Interface Plus and end device is disconnected.

Connecting an iPod®/iPhone® to the Media Interface Plus

Warning!

Only connect the iPod®/iPhone® when the vehicle is at a standstill. Otherwise, there is a risk that you could be distracted from the traffic situation and cause an accident.

General Notes

It is recommended that you install the latest software version on the iPod®. (Please refer to the iPod® User's Guide.)

If headphones are plugged into the iPod®/iPhone®, the audio will not be played back over the vehicle loudspeakers. Therefore, the headphones should be disconnected from the iPod®/iPhone®.

The use of iTunes® is recommended to ensure optimum sound quality and avoid fluctuations in the playback volume. Assign the "Equalizer Pop" setting to the files on the iPod®. (Please refer to the iPod® User's Guide for more detailed information.)

The battery of the connected iPod®/iPhone® is charged by the Media Interface Plus as soon as COMAND or the audio system is switched on.

Media Interface Plus

Connecting the iPod® / iPhone®

1. Open the glove box or storage compartment in the center console.
2. Connect the iPod®/iPhone® to the Media Interface Plus using the Media Interface Consumer Cable or the iPod® video cable¹.
3. Store the iPod®/iPhone®.

Note

When COMAND or the audio system is switched on, the iPod® is activated by the operating system and automatically continues with the function that was active before the connection was made.

Selecting the iPod®

1. Switch on COMAND or the audio system. (Please refer to the audio system operating instructions.)
2. On COMAND or the audio system, select Audio → Media Interface → Music.
3. Select the desired audio file and confirm with OK.
Playback starts.

1. To play iPod® video files, the iPod® must be connected to the Media Interface Plus using an iPod® video cable. This connection cable is not part of the scope of delivery and must be purchased separately at your authorized Mercedes-Benz Service Center.

Playing the Internet Radio (Pandora Radio)

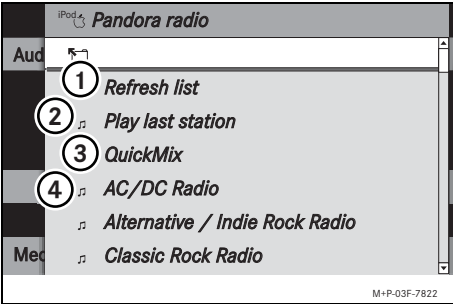
In order to listen to Pandora radio via the Media Interface Plus, the Pandora app must be installed on the iPhone® before you start driving. You must set up a user account with selected stations.

Important

The Internet dial-up is subject to costs determined by the respective mobile phone contract.

1. Connect the iPod®. (Please refer to page 10.)
2. Start Pandora on the iPhone®. Please refer to the iPhone® User's Guide.
3. On COMAND or the audio system, select Audio → Media Interface → Music → Playlists → Pandora radio.
4. Select the desired station and confirm with OK.
Playback starts.

Media Interface Plus



- ① Refresh list: Synchronization of the playlist with the iPod®/iPhone®
- ② Play last station: Play last station selected
- ③ QuickMix: Pandora QuickMix List
- ④ Stations assigned to the user account

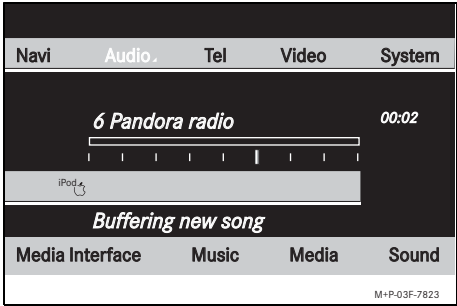
Note

Time-delays of the songs and during track and station changes may occur due to fluctuations in network coverage.

Operation

Use the control unit of the respective COMAND or audio system to operate the device.

	Pause
	Next track
press for approx. 1 sec.	Thumbs up
press for approx. 3 sec.	
	Thumbs down
press for approx. 3 sec.	



Note

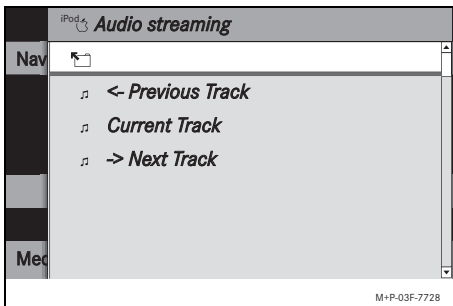
After you press the button, (Next track or Thumbs up) the message Buffering new song appears temporarily on COMAND or the audio system.

Media Interface Plus

Audio Streaming

Enables the playback of audio files using an authorized Bluetooth® audio streaming compatible end device (e.g. mobile phone, media player).

1. Establish a Bluetooth® connection between the Media Interface Plus and authorized end device. (Please refer to page 8.)
2. On COMAND or the audio system, select Audio → Media Interface → Music → Playlists → Audio streaming.



3. Select Current Track.
Playback starts and the LED on the Bluetooth® button flashes blue.

Operation

Use the control unit of the respective COMAND or audio system to operate the device.

For example, a title selection can be made using the ◀ and ▶ buttons.

However, depending on the device, it may be necessary to start the playback of audio files directly on the connected end device.

Starting Audio Streaming Automatically

The audio-streaming automatic start function can be activated/deactivated as necessary after a Bluetooth® connection has been established between the Media Interface Plus and an authorized Bluetooth®-audio-streaming-capable end device.

1. Switch on COMAND or the audio system. (Please refer to the audio system operating instructions.)
2. On COMAND or the audio system, select Audio → Media Interface → Music → Playlists → Settings.
3. Select Auto play on or Auto play off.

Playing iPod® Video Files

General Notes

For proper playback of iPod® video files, the iPod® "TV-Signal" setting must be set to "NTSC". (Please refer to the iPod® User's Guide.)

If a video is playing when the vehicle is shifted from park position (P) into neutral position (N), drive position (D) or reverse gear (R) the picture is faded out automatically and the following message appears in the display: In order not to distract driver, picture is faded out while the vehicle is in motion. When the vehicle is shifted back into park position (P), the picture comes on again.

Play iPod® Video Files

1. Connect the iPod®. (Please refer to page 10.)
2. On COMAND or the audio system, select Audio → Media Interface → Music → Playlists → iPod video.
3. Select the desired iPod® video file.
Playback starts after 10 seconds.
4. Switch to the Video basic menu and select AUX to activate the video image.

Text Messages (SMS)/E-mails*

The playback of text messages (SMS)/e-mails on COMAND or the audio system can be activated/deactivated if necessary.

1. Switch on COMAND or the audio system. (Please refer to the audio system operating instructions.)
2. On COMAND or the audio system, select Audio → Media Interface → Music → Playlists → Settings.
3. Select Display SMS or Display Email.

or

3. Select Hide SMS or Hide Email.

Reading out Text Messages (SMS)/e-mails

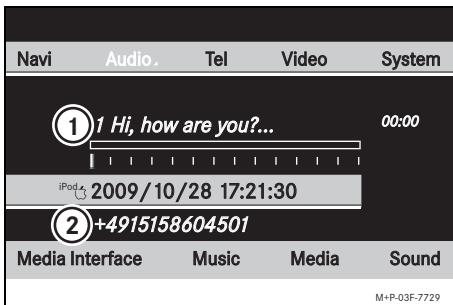
Enables the audio playback of received text messages (SMS)/e-mails.

1. Establish a Bluetooth®- connection between the Media Interface Plus and authorized mobile phone. (Please refer to page 8.)

* The Read aloud/Answer e-mails function will be available with a future software version. Consult your Mercedes-Benz Center for information about software updates.

Media Interface Plus

2. On COMAND or the audio system, select Audio → Media Interface → Music → Playlists → SMS reading or Email reading. Available text messages (SMS)/e-mails are displayed and ordered chronologically. The last incoming message is listed on top.
3. Select the desired text message (SMS)/e-mail.



- ① Text message (SMS)/e-mail
- ② Sender (telephone number or e-mail address)

The audio playback of the selected text message (SMS)/e-mail is heard.

Answering Text Messages/E-mails

A text message/e-mail which has been read aloud can be answered with a standard text directly after the audio playback.

Important


Sending text messages (SMS) is subject to costs determined by the respective mobile phone contract.

1. To have the desired text message/e-mail read out, please refer to page 13.
2. On COMAND or the audio system, select Audio → Media Interface → Music → Playlists → SMS reply or e-mail reply.




3. Using the ◀ and ▶ buttons, select the desired reply text ①.

Media Interface Plus

4. Press and hold the  buttons to send the selected reply text ① to the recipient ②.

Note

Press and hold the  button to cancel the procedure.

Storing Standard Texts on the Media Interface Plus

You can create your own standard texts to reply to text messages/e-mails and store these on the Media Interface Plus.




Warning!

Only create new standard texts when the vehicle is at a standstill. Otherwise, there is a risk that you could be distracted from the traffic situation and cause an accident.

1. Establish a Bluetooth®-connection between the Media Interface Plus and authorized mobile phone. (Please refer to page 8.)

Important

Sending text messages (SMS) is subject to costs determined by the respective mobile phone contract.

2. Write your standard text as a text message/e-mail and send it to the phone number of the connected mobile phone.
3. For information on having a text message/e-mail with the standard text read out, please see page 13.)
4. Press the  button for approx. 3 seconds.

The desired text is stored on the Media Interface Plus and can be selected under SMS reply or e-mail reply .

Updating Stored Text Messages (SMS)/e-mails

Incoming text messages (SMS)/e-mails are shown in the display of the mobile phone and stored in the mobile phone's memory.

New messages that have arrived on the mobile phone must be updated on COMAND or the audio system.

Restart COMAND or the audio system.

or

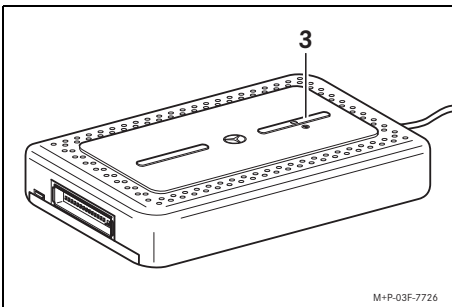
On COMAND or the audio system, select Audio → Media Interface → Music → Playlists → Settings → Refresh.

The update is complete once the message No device connected disappears.

Media Interface Plus

Transferring the Phonebook

In order to be able to use the mobile phone's phonebook on COMAND or the audio system, it must be transferred via the Media Interface Plus to COMAND or the audio system. The transfer is done via manual synchronization with active Bluetooth® connection. The data transfer can take up to 10 minutes depending on the number of entries in the phonebook.



1. Establish a Bluetooth® connection between the Media Interface Plus and authorized mobile phone. (Please refer to page 8.)
The LED on the Bluetooth® button (3) lights up green. Once the LED on the Bluetooth® button (3) lights up blue continuously, the transfer of the phonebook can be continued.

2. On COMAND or the audio system, switch to the Telephone basic menu.

Note

Switch to the basic menu Telephone → Address book on COMAND or the audio system on the following vehicles: C-Class, model series 204 and GLK-Class, model series 204.

3. Select Import contacts → receive business cards.
4. Press the Bluetooth® button on the Media Interface Plus for approx. 1 second.

The phonebook of the connected mobile phone is transferred to COMAND or the audio system.

Note

The phonebook is stored permanently in the COMAND or the audio system until deleted manually or overwritten/updated by downloading the phonebook of another mobile phone.

Resetting to Factory Settings

The Media Interface Plus can be reset to the factory settings by pressing the Bluetooth® button on the Media Interface Plus for 10 seconds.

Or:

1. Switch on COMAND or the audio system.
(Please refer to the audio system operating instructions.)
2. On COMAND or the audio system, select
Audio → Media Interface →
Music → Playlists → Settings.
3. Select Restore MI plus to factory set.