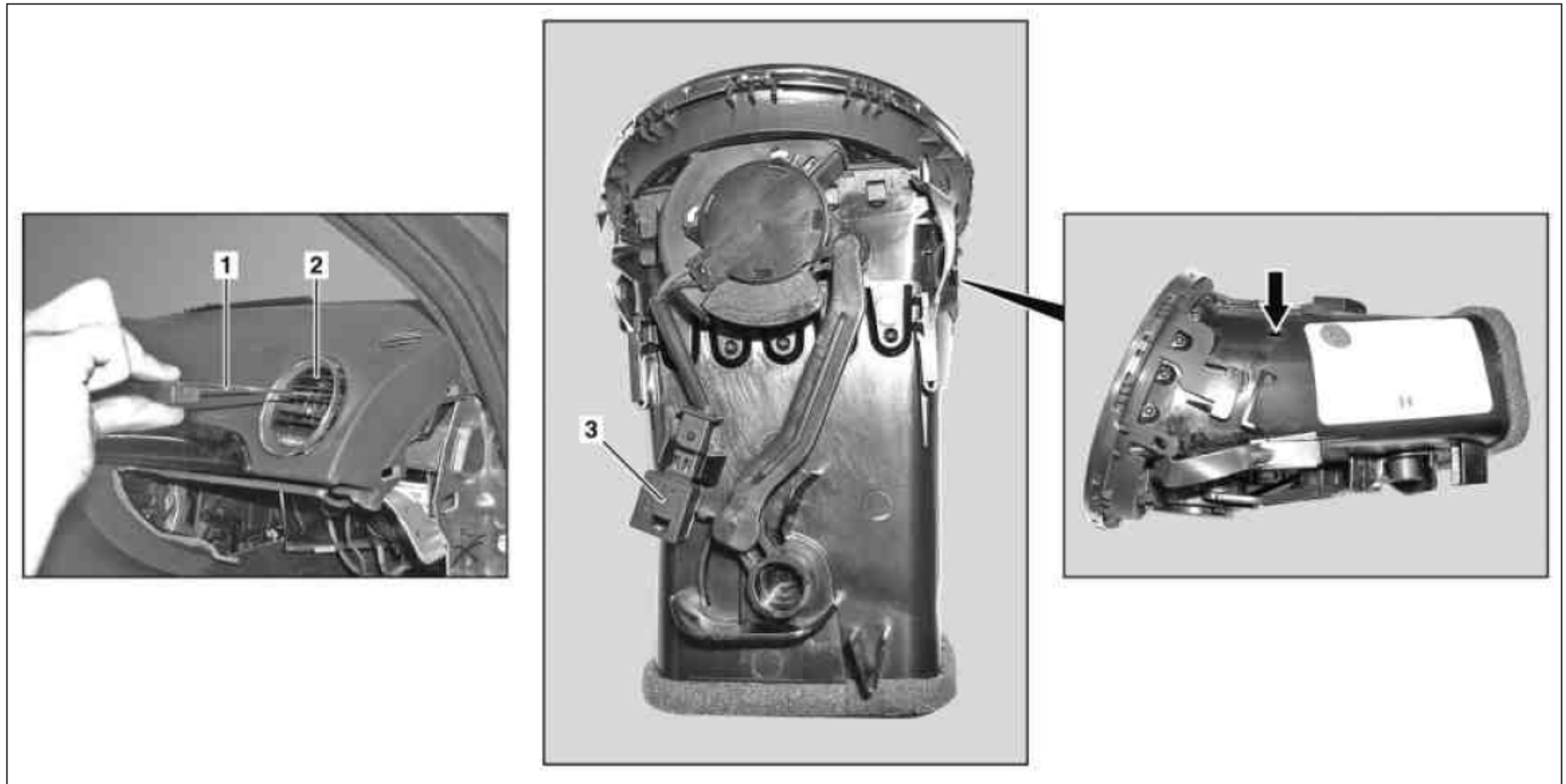


MODEL 204.0 /2 as of model year 2012

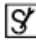
/YoM 11

MODEL 204.3

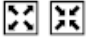
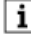
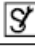


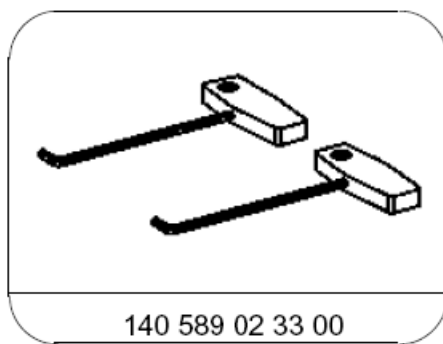
P83.10-2807-09

Shown on right air vent

- 1  Pulling hook
- 2 Side air vent

- 3 Plug connection

|  | Remove/install  |   |                               |
|---|---|---|-------------------------------|
| 1   | Insert extraction hook (1) into opening of air vent at side (2) |  The tips on both sides must latch into the notches (arrow).<br> Pulling hook | <a href="#">*140589023300</a> |
| 2   | Pull air vent side (2) half way out                             |   |                               |
| 3   | Detach connector (3) and completely pull out air vent side (2)  |   |                               |
| 4   | Install in the reverse order                                    |   |                               |



140 589 02 33 00

Pulling hook