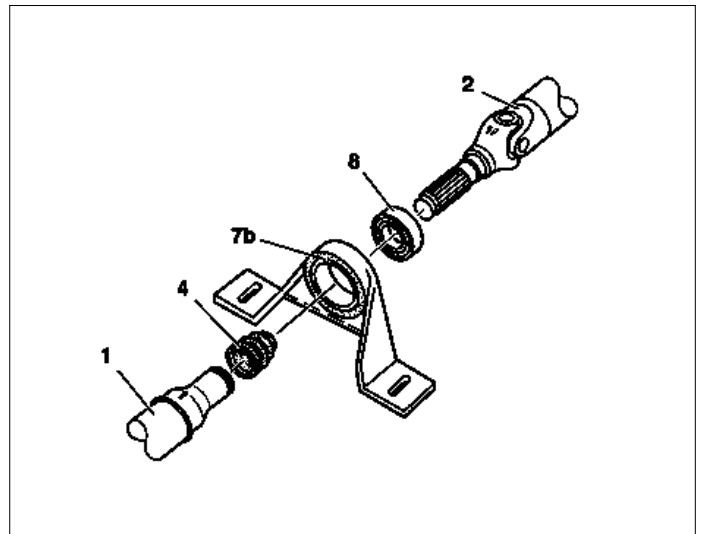


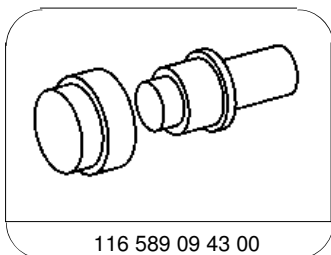
MODEL 204, 207, 212, 218, 231

- 1 Front propeller shaft  
 2 Rear propeller shaft  
 4 Rubber boot  
 7b Rubber bushing  
 8 Grooved ball bearing



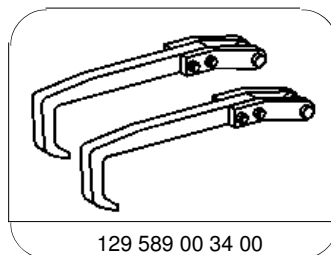
P41.10-2002-11

|   |                                                                                               |                                                                                                                                                                            |                                                                                  |
|---|-----------------------------------------------------------------------------------------------|----------------------------------------------------------------------------------------------------------------------------------------------------------------------------|----------------------------------------------------------------------------------|
|   | Notes on sensor system for trunk lid opening/closing                                          |                                                                                                                                                                            | AH80.61-P-0001-01A                                                               |
|   | <b>Remove/install</b>                                                                         |                                                                                                                                                                            |                                                                                  |
| 1 | Remove propeller shaft                                                                        | MODEL 204, 207<br>MODEL 212, 218<br>MODEL 231                                                                                                                              | AR41.10-P-0050CW<br>AR41.10-P-0050EW<br>AR41.10-P-0050RK                         |
| 2 | Separate front propeller shaft (1) and rear propeller shaft (2) at the slide connection       | <b>Installation:</b> When fitting the propeller shafts (1, 2) together, make sure that the marks line up with each other.<br>Long-life grease                              | AR41.10-P-0050-05TX<br><br>*BR00.45-Z-1001-06A                                   |
| 3 | Pull boot (4) off front propeller shaft (1)                                                   | <b>Installation:</b> Replace damaged rubber boot (4) and ensure that it is seated correctly.                                                                               |                                                                                  |
| 4 | Detach rubber mount (7b) together with grooved ball bearing (8) from rear propeller shaft (2) | Puller, two-arm<br>Puller arms                                                                                                                                             | AR41.10-P-0100-07TX<br><br>AR41.10-P-0100-05TX<br>*000589883300<br>*129589003400 |
| 5 | Press grooved ball bearing (8) out of rubber mount (7b)                                       | <b>Installation:</b> Press rubber mount (7b) together with grooved ball bearing (8) onto joint fork of rear propeller shaft (2).<br>Drift<br>Removal and installation tool | AR41.10-P-0100-02TX<br><br>*126589031500<br>*116589094300                        |
| 6 | Install in the reverse order                                                                  |                                                                                                                                                                            |                                                                                  |



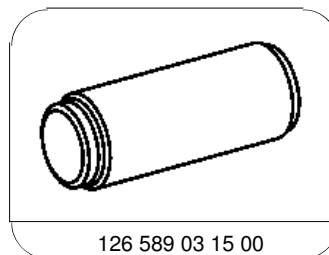
116 589 09 43 00

Removal and installation tool



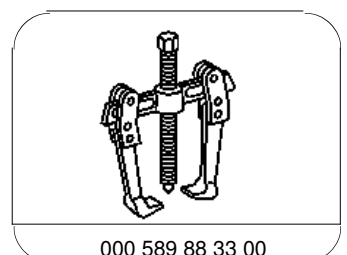
129 589 00 34 00

Puller arms



126 589 03 15 00

Drift



000 589 88 33 00

Puller, two-arm

Repair materials

| Number             | Designation      | Order number       |
|--------------------|------------------|--------------------|
| BR00.45-Z-1001-06A | Long-life grease | A 000 989 63 51 11 |