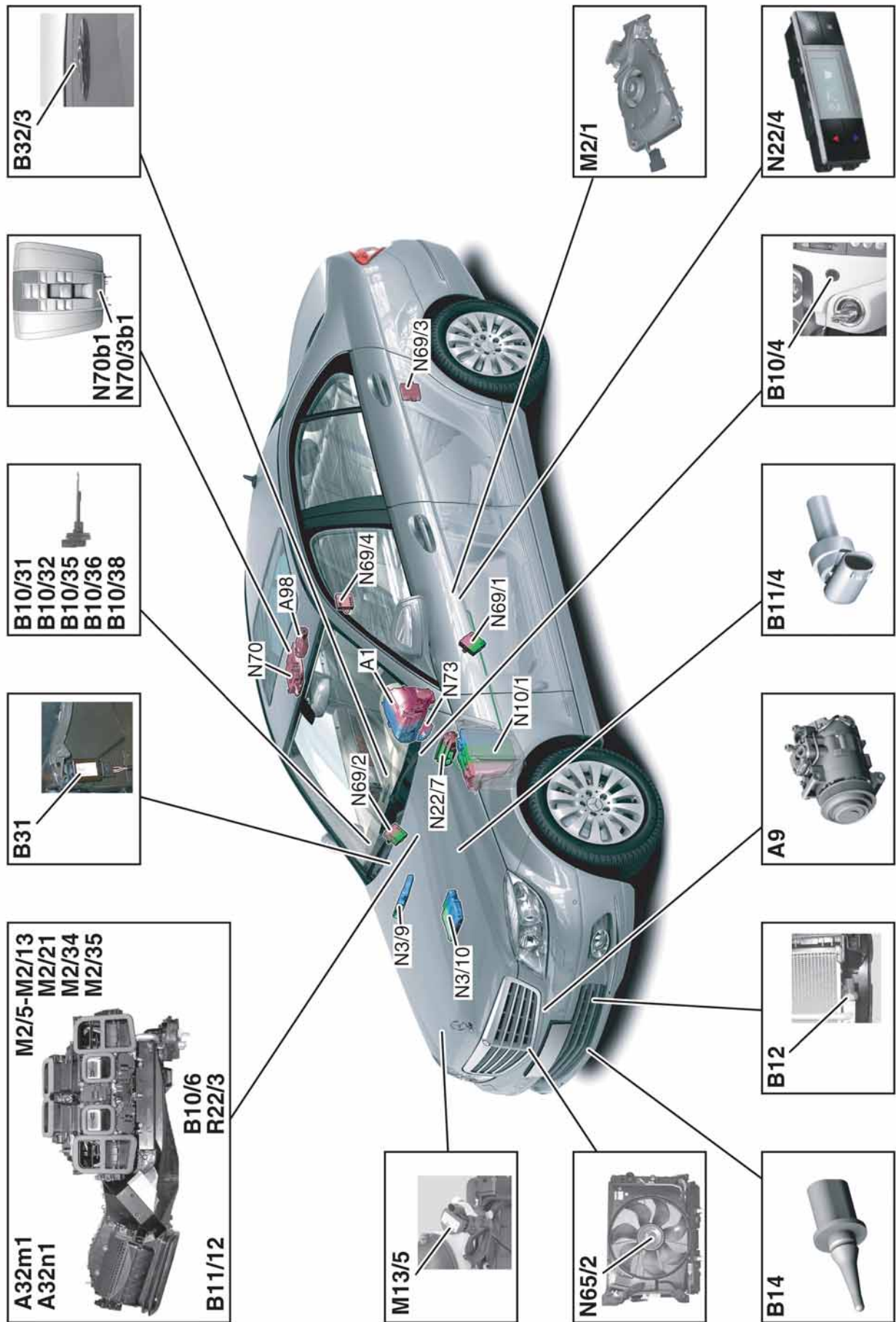
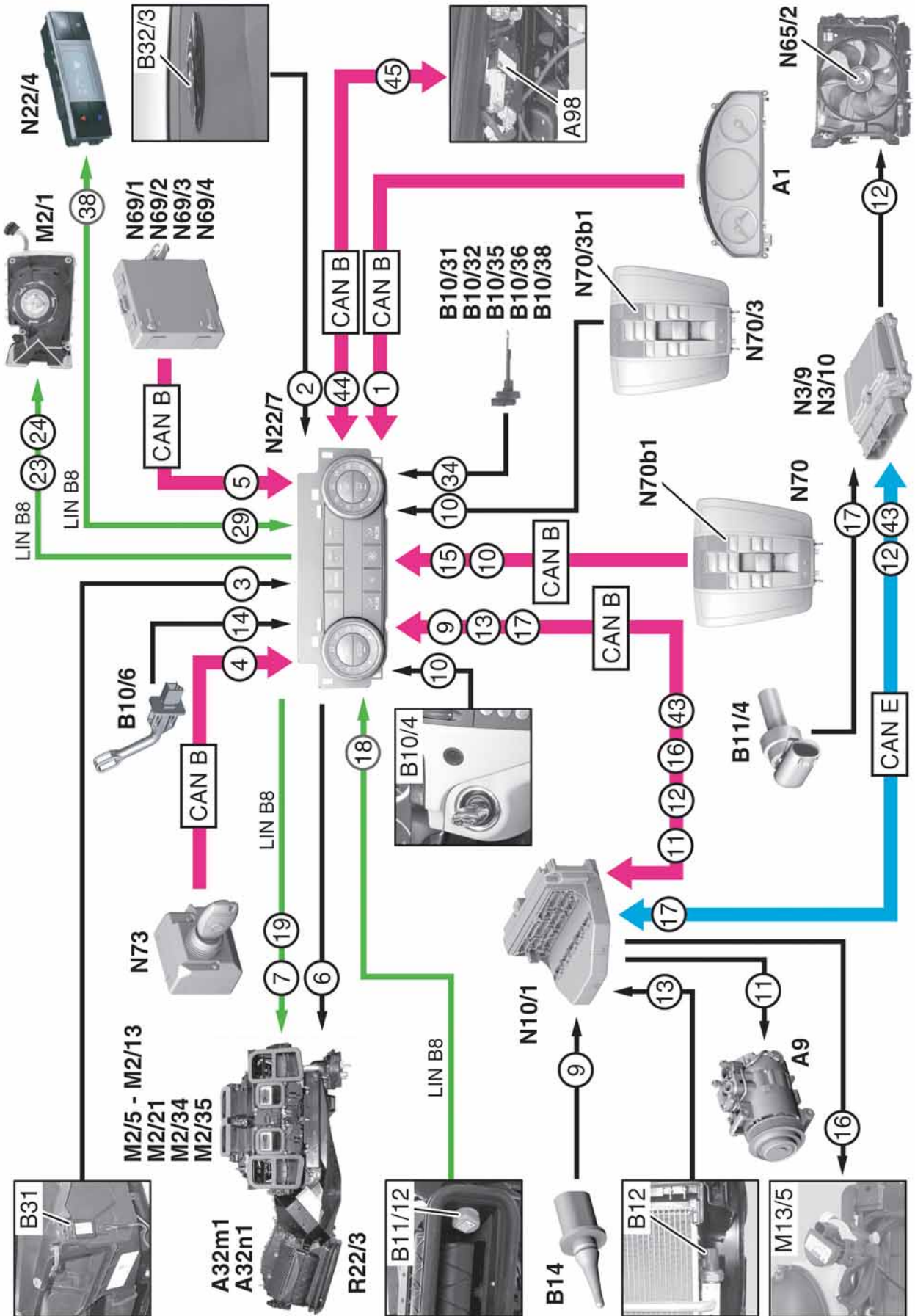


# Climate control system overview



P83.40-3652-00

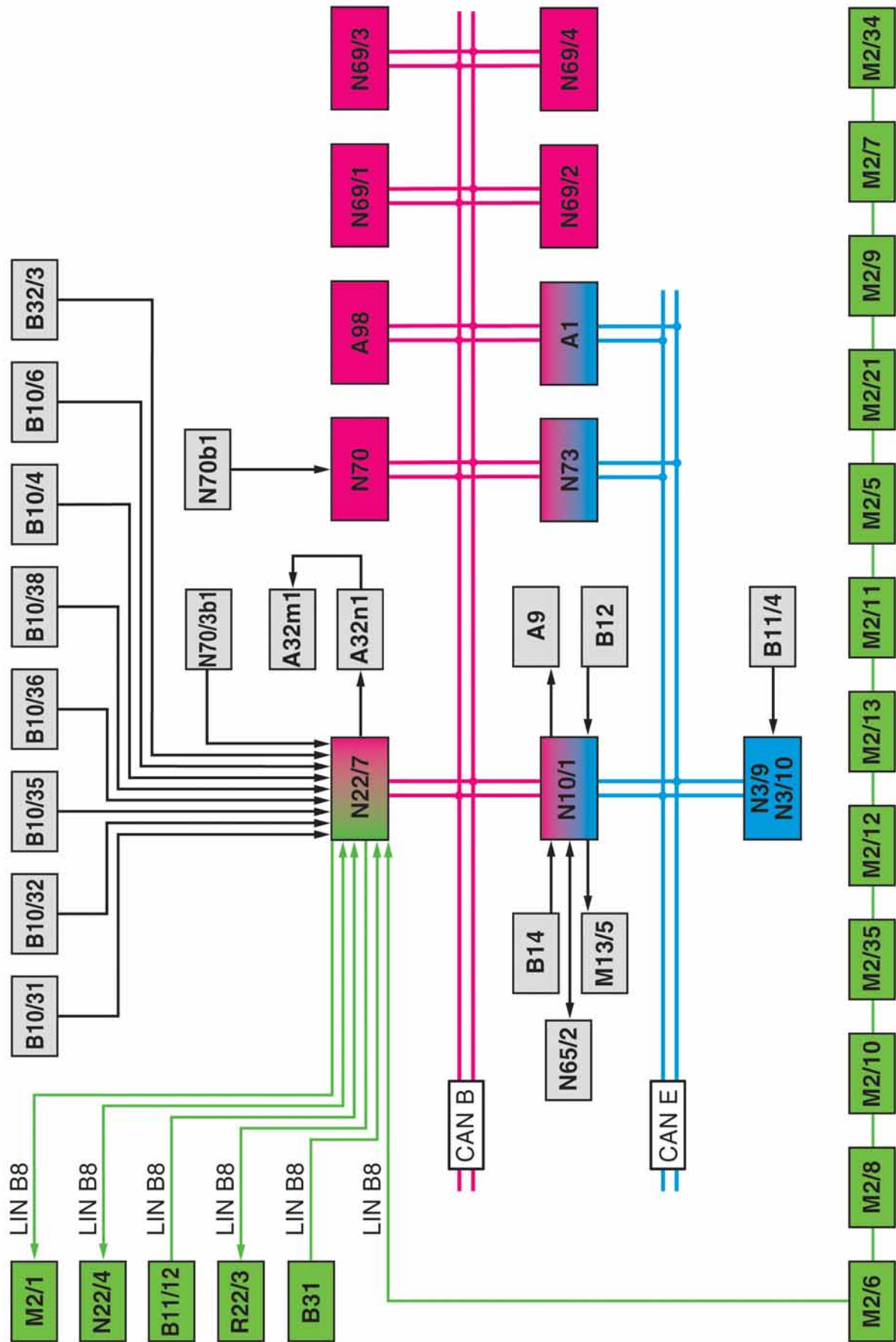
Shown with code 581 / Legend see 3.1/4



P83.40-3663-00

Shown with code 581 / Legend see 3.1/4

# Climate control system overview



P83.40-3665-00

Shown with code 581 / Legend see 3.1/4

1	Vehicle speed signal	A1	Instrument cluster	M13/5	Coolant circulation pump
2	Solar radiation	A9	Refrigerant compressor	N3/9	CDI control unit (with diesel engine)
3	Pollutants	A98	Panoramic sliding sunroof control module (code 413)	N3/10	ME-SFI [ME] control unit (with gasoline engine)
4	Battery voltage/circuit status	A32m1	Blower motor	N10/1	Front SAM control unit with fuse and relay module
5	Window position	A32n1	Blower regulator	N22/4	Rear automatic air conditioning operating unit
6	Actuation of engine blower regulator	B10/4	Interior temperature sensor	N22/7	Automatic air conditioning control and operating unit
7	Actuation of air flap actuator motors	B10/6	Evaporator temperature sensor	N65/2	Fan motor control unit
9	Outside temperature	B10/31	Left side vent temperature sensor	N69/1	Left front door control unit
10	Interior temperature	B10/32	Right side vent temperature sensor	N69/2	Right front door control unit
11	Actuation of refrigerant compressor	B10/35	Left front footwell vent temperature sensor	N69/3	Left rear door control unit
12	Actuation of cooling fan	B10/36	Right front footwell vent temperature sensor	N69/4	Right rear door control unit
13	Refrigerant pressure	B10/38	Rear footwell vent temperature sensor	N70	Overhead control panel control unit (code 414)
14	Evaporator temperature	B11/4	Coolant temperature sensor	N70b1	Interior temperature sensor (code 414)
15	Tilting/sliding roof position (code 414)	B11/12	Dew point sensor	N70/3	Overhead control panel electronics (without code 414)
16	Coolant circulation pump actuation	B12	Refrigerant pressure sensor	N70/3b1	Interior temperature sensor (without code 414)
17	Coolant temperature	B14	Outside temperature sensor	N73	Electronic ignition lock control unit
18	Dew point	B31	Emissions sensor	R22/3	PTC heater booster (with diesel engine)
19	Actuation of PTC heater booster	B32/3	Sun sensor		
23	Actuation of booster blower	M2/1	Rear blower motor		
24	Actuation of rear blower regulator	M2/5	Fresh air/recirculated air flap actuator motor		
29	Rear air conditioning controls	M2/6	Left blend air flap actuator motor		
34	Air outlet temperature	M2/7	Right blend air flap actuator motor		
38	Feedback of blower strength	M2/8	Left defroster vent flap actuator motor		
43	Idle speed increase	M2/9	Right defroster vent flap actuator motor		
44	Panoramic sliding sunroof motor, signal (code 413)	M2/10	Left footwell flap actuator motor		
45	Panoramic sliding sunroof motor, request (code 413)	M2/11	Right footwell flap actuator motor		
		M2/12	Left center vent flap actuator motor		
		M2/13	Right center vent flap actuator motor		
		M2/21	Diffuse flap actuator motor		
		M2/34	Ram air flap actuator motor		
		M2/35	Rear blend air flap actuator motor		
CAN B	Interior CAN				
CAN E	Chassis CAN				
LIN B8	Climate control LIN				

### Note

The system overview, data flow and block diagrams are shown on a vehicle with the full equipment (with code 581). The differences in the components in the various equipment packages (code 580, 581) are shown in the overview of components.