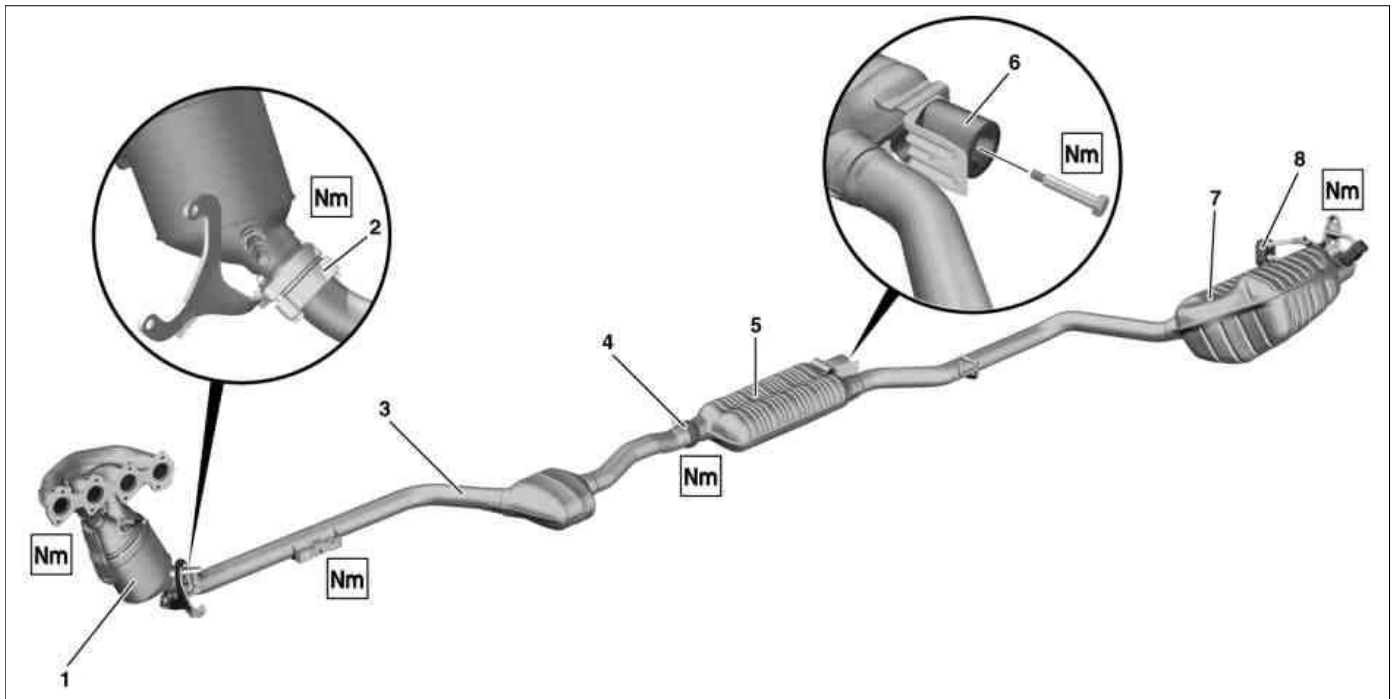


ENGINES 156, 271, 272, 276 in MODEL 204

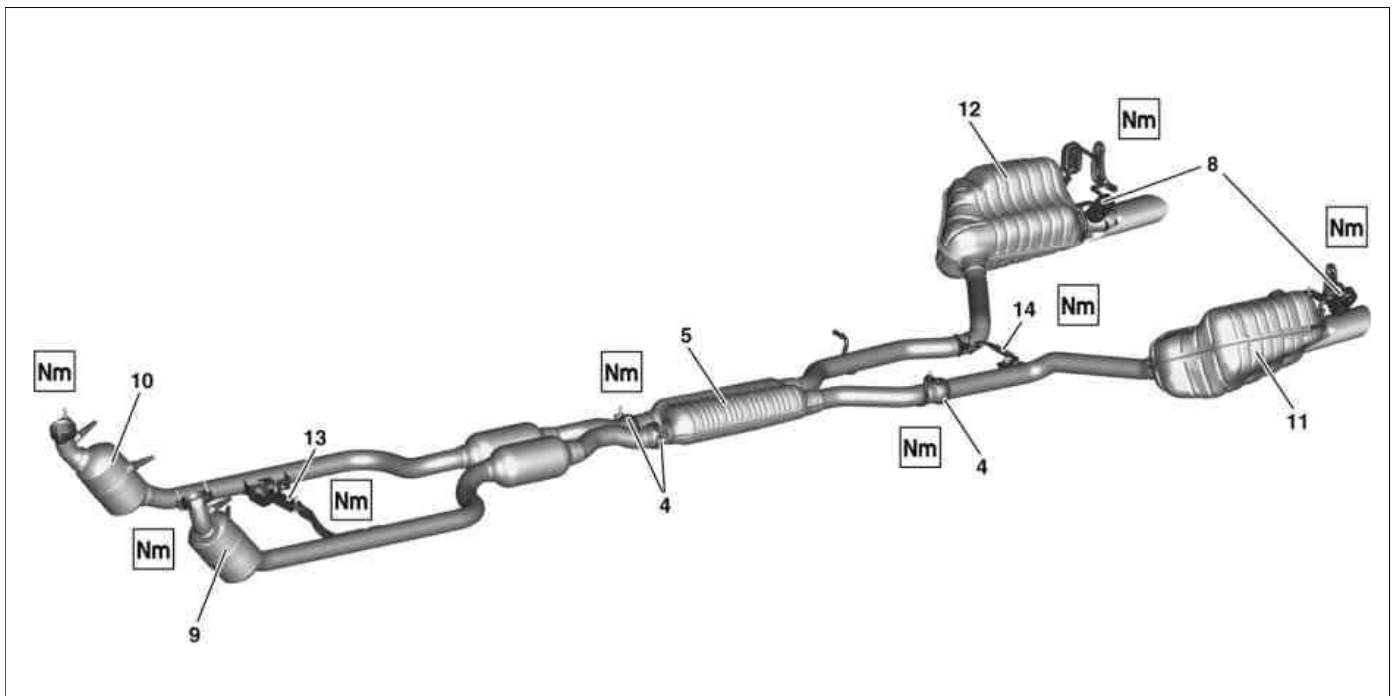
ENGINES 271, 272, 273, 276, 278 in MODEL 207



P49.10-2777-09

Exhaust system for engine 271

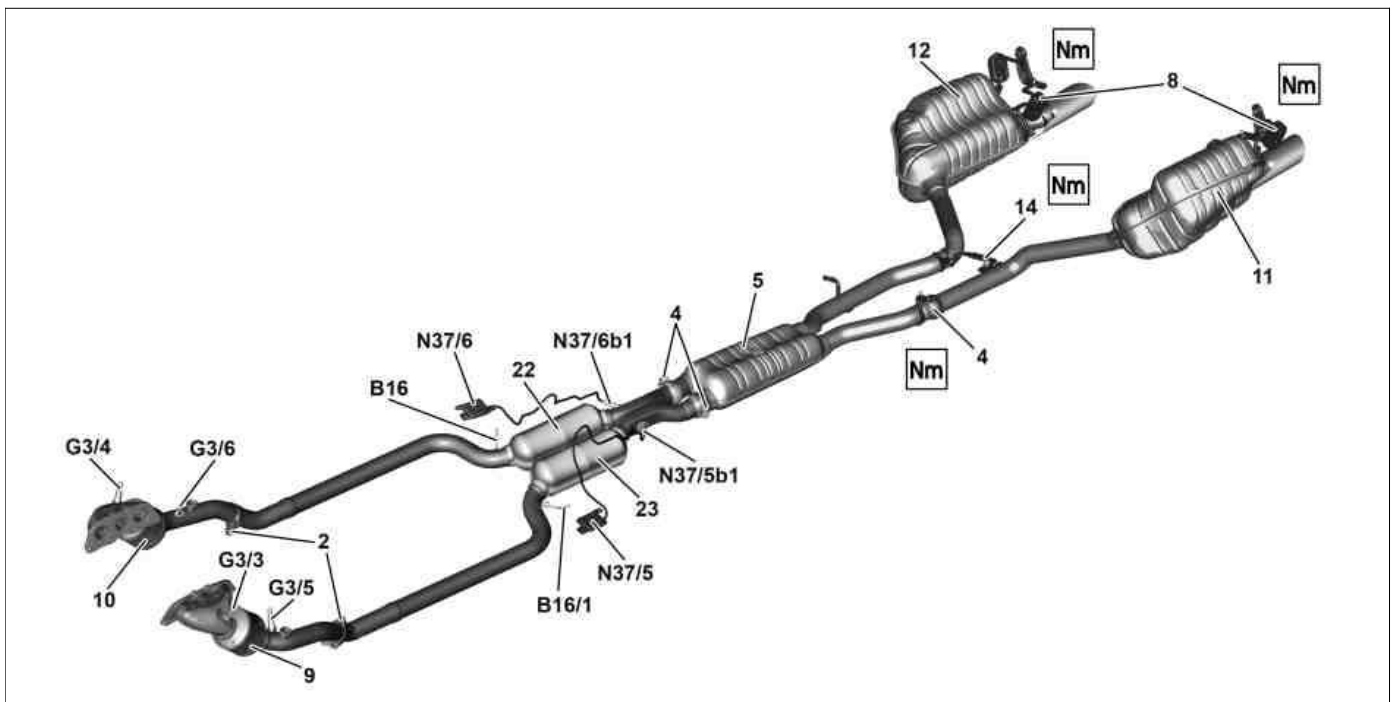
- | | | | | | |
|---|---|---|------------------|---|----------------------|
| 1 | Catalytic converter with exhaust manifold | 4 | Pipe clamp | 7 | Rear muffler |
| 2 | Connecting flange | 5 | Center muffler | 8 | Exhaust rubber mount |
| 3 | Connecting pipe with catalytic converter | 6 | Vibration damper | | |



P49.10-2782-09

Exhaust system for engine 272

- | | | | | | |
|---|----------------------|----|---------------------------|----|------------------------|
| 4 | Pipe clamp | 9 | Left catalytic converter | 12 | Right rear muffler |
| 5 | Center muffler | 10 | Right catalytic converter | 13 | Front connecting strut |
| 8 | Exhaust rubber mount | 11 | Left rear muffler | 14 | Rear connecting strut |



P49.10-2958-09

Shown: exhaust system for model 204.057 with code (920) Gasoline direct injection with stratified charge

2	Connecting flange	22	RH NOx storage catalytic converter	G3/4	Right oxygen sensor upstream of catalytic converter
4	Pipe clamp	23	LH NOx storage catalytic converter	G3/5	Left oxygen sensor downstream of catalytic converter
5	Center muffler	B16	Temperature sensor upstream of NOx storage catalytic converter, right	G3/6	Right oxygen sensor downstream of catalytic converter
8	Exhaust rubber mount	B16/1	Temperature sensor upstream of NOx storage catalytic converter, left	N37/5	Left NOx sensor control unit
9	Left CAT (CAT with exhaust manifold)	G3/3	Left oxygen sensor upstream of catalytic converter	N37/5b1	Left NOx sensor
10	Right CAT (CAT with exhaust manifold)			N37/6	Right NOx sensor control unit
11	Left rear muffler			N37/6b1	Right NOx sensor
12	Right rear muffler				
14	Rear connecting strut				

		Remove/install		
		Risk of death caused by vehicle slipping or toppling off of the lifting platform.	Align vehicle between columns of vehicle lift and position four support plates at vehicle lift support points specified by vehicle manufacturer.	AS00.00-Z-0010-01A
		Risk of injury to skin and eyes caused by handling hot or glowing objects.	Wear safety gloves, protective clothing and safety glasses, if necessary.	AS00.00-Z-0002-01A
		Risk of injury from grazing or cutting body parts on sharp vehicle parts	Always wear protective gloves when working on or near sharp and non-deburred vehicle parts. Deburr repair panels.	AS00.00-Z-0017-01A
		Notes on self-locking nuts and bolts		AH00.00-N-0001-01A
1.1		Remove both lower engine compartment paneling	If necessary Model 204.9 Installation: Only install both lower engine compartment panelings after engine test run and leak test.	AR61.20-P-1105CY
1.2		Remove engine compartment paneling	If necessary Model 207, 204 except 204.9 Installation: Install lower engine compartment paneling only after engine test run and leak test.	AR61.20-P-1105EW
2		Disconnect electrical connector(s) for O2 sensor(s) and expose feed lines	If necessary: ↓ Remove/install heated O2 sensor: Model 204 with engine 156 Model 204, 207 with engine 271 Model 204, 207 with engine 276	AR07.52-P-5303CMG AR07.52-P-5303CW AR07.52-P-5303FH

		Model 204 with engine 272 without 4-MATIC, model 207 with engine 272, 273 Model 204 with engine 272 with 4MATIC Model 207 with engine 278	AR07.52-P-5303CV AR07.52-P-5303CWX
3	Remove exhaust gas recirculation line	Vehicles with engine 272.982/ 984 Model 204 Model 204 Model 207 Model 207	AR14.20-P-1020-01CDE *BA27.40-P-1008-01A *BA49.10-P-1031-01AC *BA49.10-P-1032-01AC *BA49.10-P-1040-01AE *BA49.10-P-1041-01AE
4	Remove corresponding diagonal strut(s) at rear	Model 207.4, if required 	*BA61.10-P-1007-01H *BA61.10-P-1008-01H *BA61.10-P-1009-01H
5	Detach corresponding components of exhaust system at separation points and remove	Installation: Align components for exhaust system tension-free before tightening the bolted connections. Installation: Apply lubricating paste to exhaust rubber bearings (8). Lubricant paste Nut, exhaust manifold to cylinder head Engines 271, 272, 273, 276 Engine 156 Engine 278 Screw/bolt, CAT to exhaust manifold or exhaust manifold flange connection /front exhaust pipe: Engine 272, 273 Engine 156 Screw/bolt, transmission to engine: Transmission 716.6 Transmission 722.6, 722.9 Model 204: Screw/bolt, CAT holder to CAT except engine 276 Screw/bolt, CAT flange to center muffler except engine 276 Screw/bolt, exhaust line clamp at front right to front left except engine 276 Screw/bolt, exhaust pipe holder to transmission except engine 276 Screw/bolt, exhaust pipe holder to exhaust pipe except engine 276 Nut, center muffler clamp to connecting pipe with catalytic converter Nut, exhaust rubber mount holder to rear axle Screw/bolt, exhaust rubber mount holder to frame floor assembly/rear axle carrier Screw/bolt, cross connection left rear to right rear Screw/bolt, catalytic converter to exhaust manifold Nut, center muffler clamp to rear muffler except engine 276 Screw/bolt, EGR lines clamp to CAT except engine 276 Screw/bolt, bracket to transmission except engine 276 Screw/bolt, exhaust system holder to transmission for engine 276 Screw/bolt, exhaust system holder to exhaust flange for engine 276 Model 207: Screw/bolt, catalytic converter to exhaust manifold Screw/bolt, catalytic converter holder to catalytic converter	*BR00.45-Z-1002-06A *BA14.10-P-1001-01E *BA14.10-P-1001-01N *BA09.40-P-1001-01R *BA14.10-P-1002-01E *BA14.10-P-1002-01N *BA26.10-P-1001-01C *BA27.40-P-1008-01A *BA49.10-P-1001-01AC *BA49.10-P-1005-01AC *BA49.10-P-1007-01AC *BA49.10-P-1008-01AC *BA49.10-P-1009-01AC *BA49.10-P-1012-01AC *BA49.10-P-1014-01AC *BA49.10-P-1015-01AC *BA49.10-P-1016-01AC *BA49.10-P-1024-01AC *BA49.10-P-1025-01AC *BA49.10-P-1032-01AC *BA49.10-P-1033-01AC *BA49.10-P-1035-01AC *BA49.10-P-1036-01AC *BA49.10-P-1001-01AE *BA49.10-P-1010-01AE

		Screw/bolt, bracket to transmission Screw/bolt, catalytic converter connecting pipe to catalytic converter Screw/bolt, exhaust bracket to transmission Screw/bolt, exhaust bracket to exhaust Nut, center muffler clamp to connecting pipe with catalytic converter Nut, center muffler clamp to rear muffler Screw/bolt, cross connection left rear to right rear Screw/bolt, exhaust rubber mount holder to frame floor assembly/rear axle carrier	*BA49.10-P-1011-01AE *BA49.10-P-1021-01AE *BA49.10-P-1023-01AE *BA49.10-P-1024-01AE *BA49.10-P-1032-01AE *BA49.10-P-1033-01AE *BA49.10-P-1035-01AE *BA49.10-P-1036-01AE
6	Remove vibration damper (6) on center muffler (5)	Engine 271, if necessary Model 204 Model 207	*BA49.10-P-1018-01AC *BA49.10-P-1034-01AE
	Clean		
7	Remove combustion and corrosion residue at separation points		
8	Check exhaust rubber mount (8) for damage and wear		
9	Install in the reverse order		
	Checking		
10	Inspect installation position and unobstructed movement of all components of the exhaust system		
11	Risk of accident caused by vehicle starting off by itself when engine is running. Risk of injury caused by contusions and burns during starting procedure or when working near the engine as it is running Perform an engine test run and check exhaust system for leaks	Secure vehicle to prevent it from moving by itself. Wear closed and snug-fitting work clothes. Do not touch hot or rotating parts.	AS00.00-Z-0005-01A

Exhaust manifold

Number	Designation		Engine 156
BA14.10-P-1001-01N	Nut, exhaust manifold to cylinder head	Nm	22
BA14.10-P-1002-01N	Flange connection for exhaust manifold/front exhaust pipe	Nm	20

Exhaust manifold

Number	Designation		Engine 271	Engine 272	Engine 273	Engine 276
BA14.10-P-1001-01E	Nut, exhaust manifold to cylinder head	Nm	21	16	16	16
BA14.10-P-1002-01E	Screw/bolt, catalytic converter to exhaust manifold	Nm	-	20	20	-

Turbocharger

Number	Designation	Engine 278

BA09.40-P-1001-01R	Nut, turbocharger/exhaust manifold to cylinder head	M7	Nm	15
		M8	Nm	20

Nm Exhaust system

Number	Designation		Engine 156, 271, 272 in model 204	Engine 276 in model 204
BA49.10-P-1001-01AC	Screw/bolt, catalytic converter holder to catalytic converter	Nm	35	-
BA49.10-P-1005-01AC	Screw/bolt, catalytic converter flange to center muffler	Nm	20	-
BA49.10-P-1007-01AC	Screw/bolt, exhaust line clamp at the front right to front left	Nm	35	-
BA49.10-P-1008-01AC	Screw/bolt, exhaust pipe bracket to transmission	Nm	20	-
BA49.10-P-1009-01AC	Screw/bolt, exhaust pipe bracket to exhaust pipe	Nm	20	-
BA49.10-P-1012-01AC	Nut, center muffler clamp to connecting pipe with catalytic converter	Nm	35	35
BA49.10-P-1014-01AC	Nut, exhaust rubber mount holder to rear axle	Nm	23	23
BA49.10-P-1015-01AC	Screw/bolt, exhaust rubber mount holder to frame floor assembly/rear axle carrier	Nm	20	20
BA49.10-P-1016-01AC	Screw/bolt, cross connection left rear to right rear	Nm	20	20
BA49.10-P-1018-01AC	Screw/bolt, vibration damper to center muffler	Nm	20	-
BA49.10-P-1024-01AC	Screw/bolt, catalytic converter to exhaust manifold	Nm	20	20
BA49.10-P-1025-01AC	Nut, center muffler clamp to rear muffler	Nm	35	35
BA49.10-P-1031-01AC	Screw/bolt, flange for exhaust gas recirculation lines to exhaust gas recirculation positioner	Nm	9	-
BA49.10-P-1032-01AC	Screw/bolt, exhaust gas recirculation line clamp to catalytic converter	Nm	9	-
BA49.10-P-1033-01AC	Screw/bolt, bracket to transmission	Nm	39	-
BA49.10-P-1035-01AC	Screw/bolt, exhaust system bracket to transmission	Nm	-	25
BA49.10-P-1036-01AC	Screw/bolt, exhaust system bracket to exhaust flange	Nm	-	35

Nm Exhaust system

Number	Designation	Engine 271, 272, 273, 276, 278 in model 207

BA49.10-P-1001-01AE	Screw/bolt, catalytic converter to exhaust manifold	Nm	20
BA49.10-P-1010-01AE	Screw/bolt, catalytic converter holder to catalytic converter	Nm	35
BA49.10-P-1011-01AE	Screw/bolt, bracket to transmission	Nm	39
BA49.10-P-1021-01AE	Screw/bolt, catalytic converter connecting pipe to catalytic converter	Nm	20
BA49.10-P-1023-01AE	Screw/bolt, exhaust bracket to transmission	Nm	20
BA49.10-P-1024-01AE	Bolt/nut, exhaust bracket to exhaust	Nm	20
BA49.10-P-1032-01AE	Screw/bolt / nut, center muffler clamp to connecting pipe with catalytic converter	Nm	35
BA49.10-P-1033-01AE	Nut, center muffler clamp to rear muffler	Nm	35
BA49.10-P-1034-01AE	Screw/bolt, vibration damper to center muffler	Nm	20
BA49.10-P-1035-01AE	Screw/bolt, cross connection left rear to right rear	Nm	20
BA49.10-P-1036-01AE	Screw/bolt, exhaust rubber mount holder to frame floor assembly/rear axle carrier	Nm	20
BA49.10-P-1040-01AE	Screw/bolt, flange for exhaust gas recirculation lines to exhaust gas recirculation positioner	Nm	9
BA49.10-P-1041-01AE	Screw/bolt, exhaust gas recirculation line clamp to catalytic converter	Nm	9

Housing

Number	Designation		Transmission 722.6 except 722.660/661/662/ 663/666/673/674	Trans- mission 722.9	
BA27.40-P-1008-01A	Screw/bolt, automatic transmission to engine	M10 × 40	Nm	39	38
		M10 × 90	Nm	39	38
		M12	Nm	-	-

Complete manual transmission

Number	Designation		Trans- mission 716.6
BA26.10-P-1001-01C	Screw/bolt, transmission to engine	Nm	40

Frame floor assembly

© Mercedes-Benz AG, 2/21/24, L/07/21, ar49.10-p-7100cw, Remove/install components for exhaust system
ENGINES 156, 271, 272, 276 in MODEL 204 ENGINES 271, 272, 273, 276, 278 in MODEL 207

Number	Designation		Model 207.4
BA61.10-P-1007-01H	Screw/bolt, rear diagonal strut on spare wheel well	Nm	80
BA61.10-P-1008-01H	Screw/bolt, rear diagonal strut on longitudinal member	Nm	80
BA61.10-P-1009-01H	Screw/bolt, rear diagonal strut to bracket	Nm	17

Repair materials

Number	Designation	Order number
BR00.45-Z-1002-06A	Antifriction paste, rubber parts 2.5 kg, DB supply specification 6867.00	A 000 989 01 60