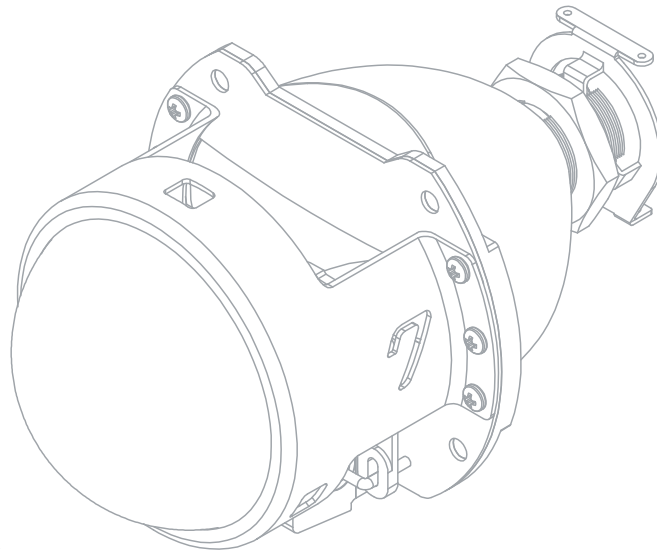




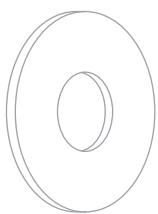
THE AUTOMOTIVE LIGHTING BENCHMARK



PART #:
50325
50326

INSTALLATION GUIDE

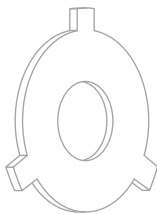
MINI H1 7.0



A: 1x



B: 1x



C: 1x



D: 1x



E: 2x



F: 1x



G: 1x



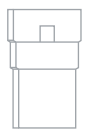
H: 1x



I: 3x



J: 2x



K: 1x

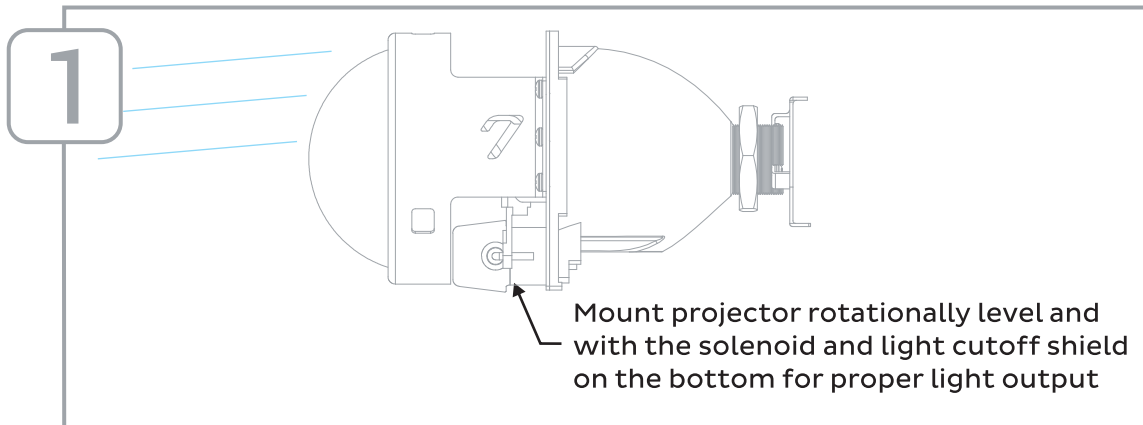


WARNING: By reading this document, I agree it is only to be used as an educational guide. Morimoto Lighting makes no guarantee on any finished results, nor are they to be held responsible for any damage, misuse, or personal injuries. Use at your own risk. If you are unable to clearly understand and adapt the information below to your own application, professional installation is recommended.

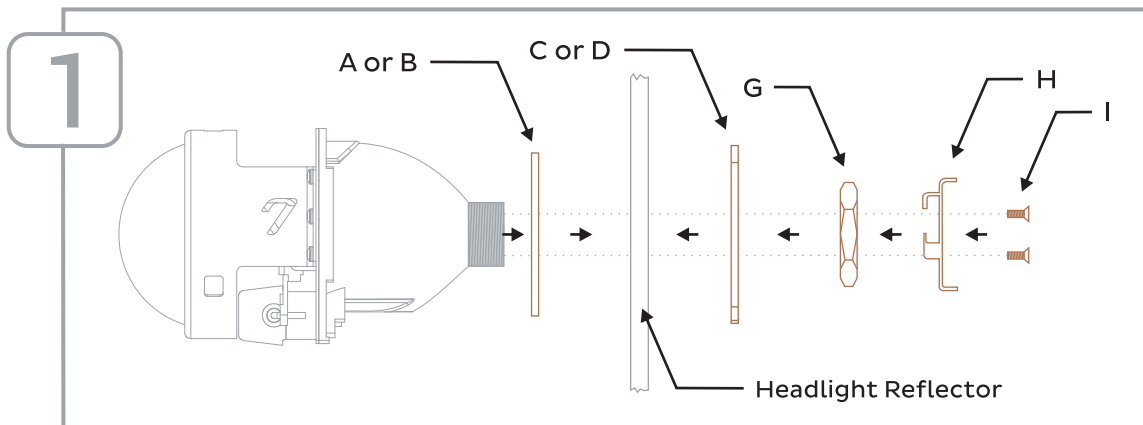


PROFESSIONAL INSTALLATION RECOMMENDED

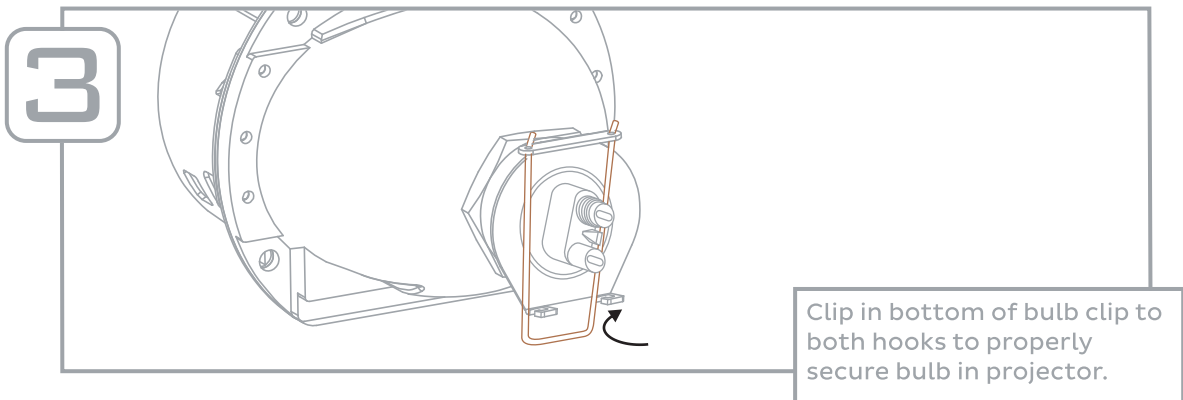
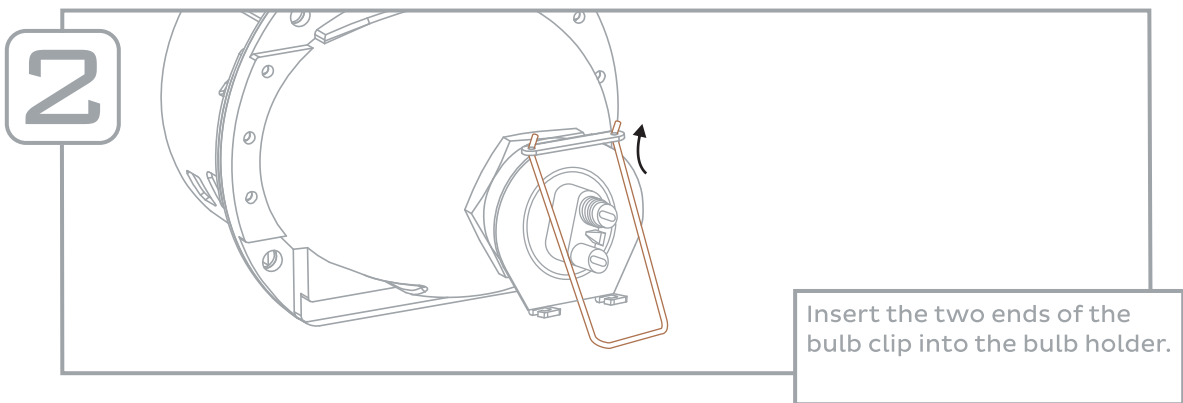
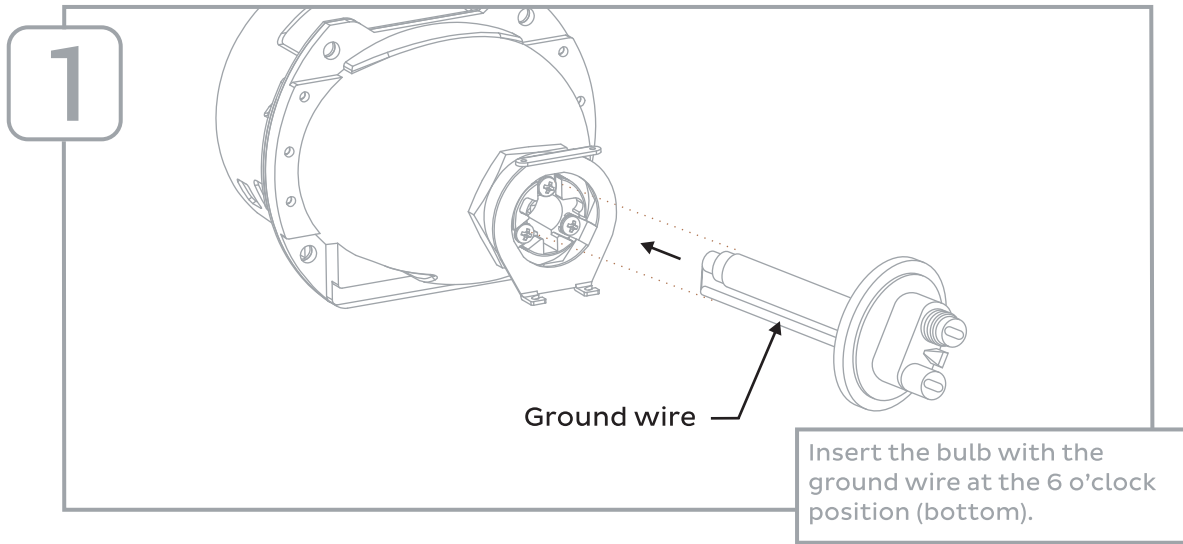
SPECIAL INSTALLATION NOTE



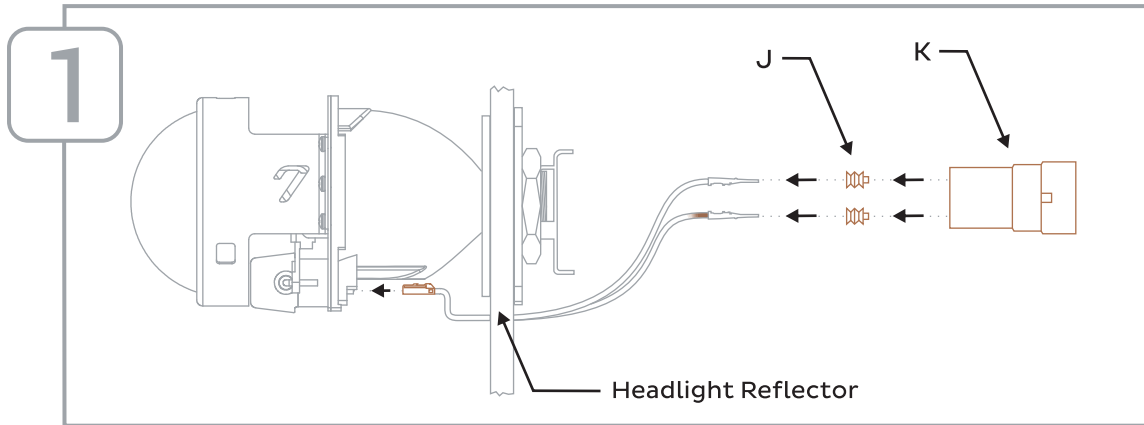
HARDWARE SCHEMATIC



BULB INSTALL SCHEMATIC



WIRING SCHEMATIC



-END-