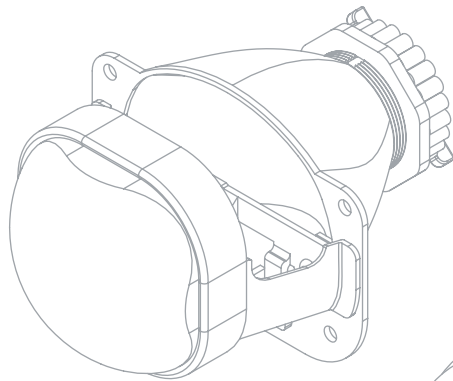
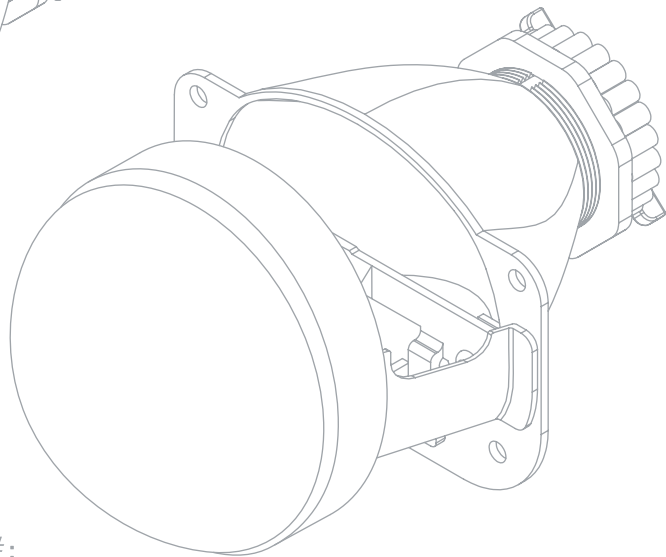




THE AUTOMOTIVE LIGHTING BENCHMARK



PART #:
48286
48287



PART #:
47735
47736

INSTALLATION GUIDE

MINI D2S 3.0



A: 1x



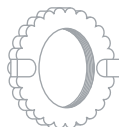
B: 1x



C: 1x



D: 1x



E: 1x



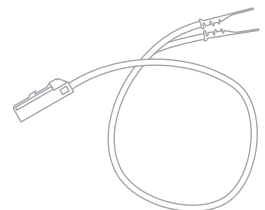
F: 2x



G: 1x



H: 1x



I: 1x

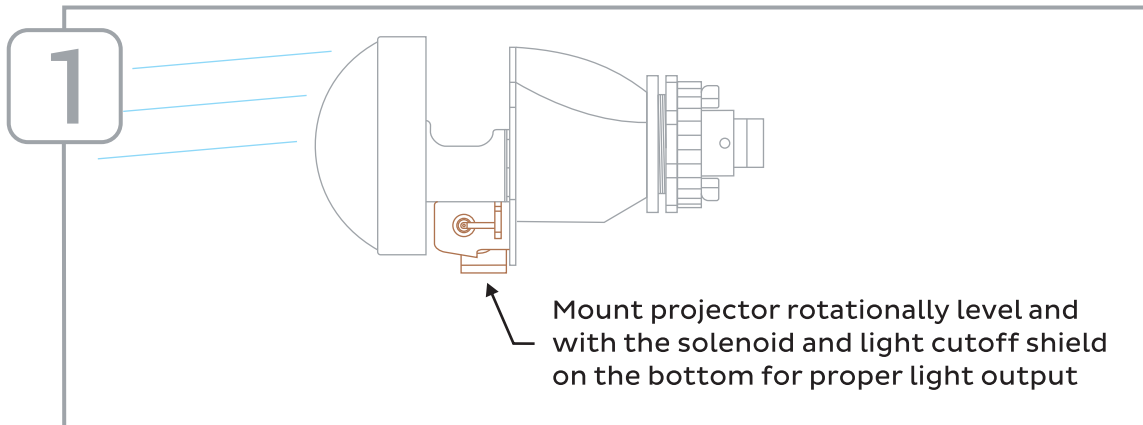


WARNING: By reading this document, I agree it is only to be used as an educational guide. Morimoto Lighting makes no guarantee on any finished results, nor are they to be held responsible for any damage, misuse, or personal injuries. Use at your own risk. If you are unable to clearly understand and adapt the information below to your own application, professional installation is recommended.

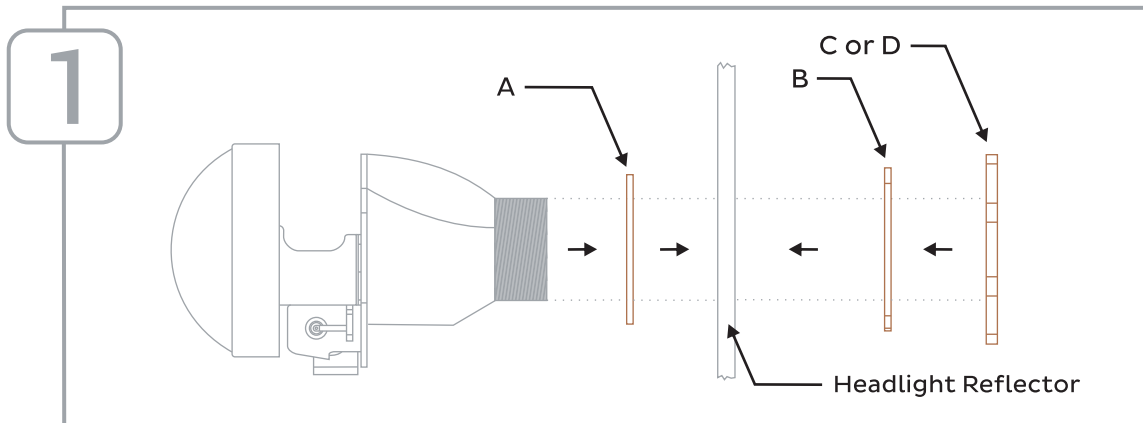


PROFESSIONAL INSTALLATION RECOMMENDED

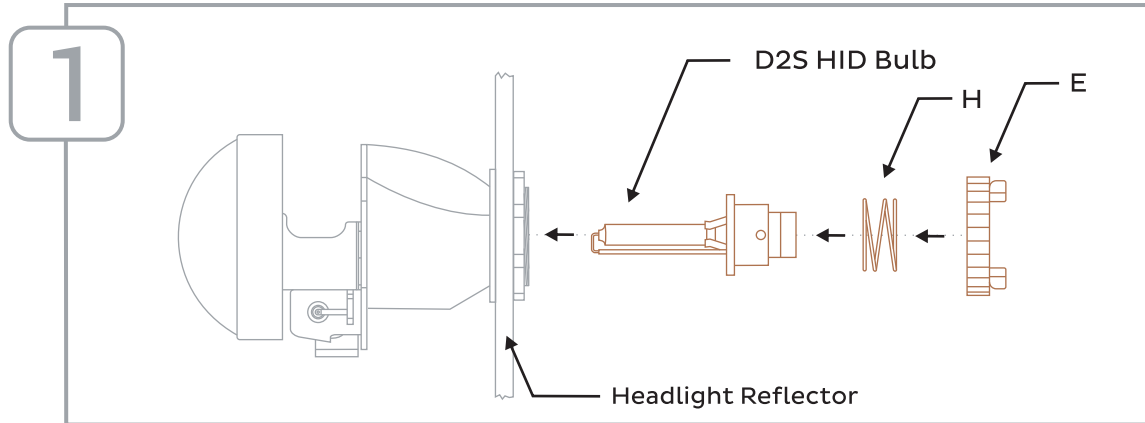
SPECIAL INSTALLATION NOTE



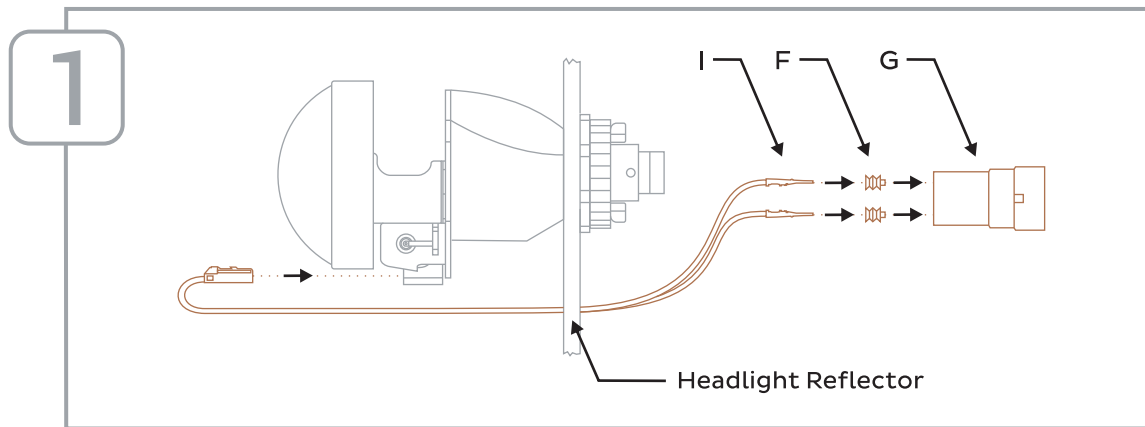
HARDWARE SCHEMATIC



BULB INSTALL SCHEMATIC



WIRING SCHEMATIC



-END-