

Dealer Ordering Guide

**PRELIMINARY.
DOCUMENT SUBJECT TO
CHANGE.**



Mercedes-Benz MY 17 C-Class Coupe (C205)

An important note about this Guide:

The information presented in this guide is based on the most current information available and is intended for internal use only. Mercedes-Benz, USA reserves the right to make changes at any time, without notice, to colors, materials, equipment, special specifications and models.

Pricing may not yet be finalized for some models or options.

Due to variances among monitors and printers, the colors that appear on your screen and printouts may not be exact.

For illustrative purposes, some images may show vehicles with European Specifications.

Revision History

Date	Edited By	Changes
12/3/15	K. Edwards	Initial publication

Table of Contents *(please click on the link to get to the page)*

- [What's new in MY17](#)
- [Models](#)
- [Standard Equipment](#)
- [Paints](#)
- [Upholsteries](#)
- [Trims](#)
- [Wheels](#)
- [Visual Equipment Differentiation](#)
 - [Headlights](#)
 - [Brakes](#)
 - [Seat Belts](#)
- [Option Packages](#)
- [Stand-Alone Options/Special Orders/Accessories](#)
- [Specifications](#)
- [Product Highlights](#)
- [Advantages over competition](#)
- [Gallery](#)

What's new: MY17 Overview

Standard Equipment

- Panoramic Sunroof
- LED Headlamps & Taillamps
- 18" wheels with All-Season Extended Mobility tires
- Automatic Seatbelt Presenter
- COLLISION PREVENTION ASSIST PLUS (CPA+)
- PRE-SAFE
- Powered Passenger Seat
- KEYLESS START
- Pre-wiring for GARMIN® Map Pilot
- DYNAMIC SELECT
- 5 years of Mbrace subscription (including Remote Start)

Optional Equipment

- Package strategy includes 3 available Premium Packages
- Driver's Assistance Package, Lighting Package, Multimedia Package and Air Balance Package become part of Premium Package equipment
- Introduction of Natural Grain Brown Ash Wood trim
- Leather Seating Package replaces Interior Package
- Introduction of limited production Edition 1 Package (P88)

Paints

- Introduction of Brilliant Blue Metallic
- Selenite Grey Metallic replaces Palladium Silver Metallic
- Introduction of *designo* Selenite Grey Magno for Edition 1

Wheels

- New standard 18" 5-spoke wheel (R32)
- New optional Twin 5-Spoke 19" wheel with High-Performance tires (R17)
- New option Twin 5-Spoke 19" wheel for Edition #1 (R90)



What's new: C204 vs. C205 Exterior Design

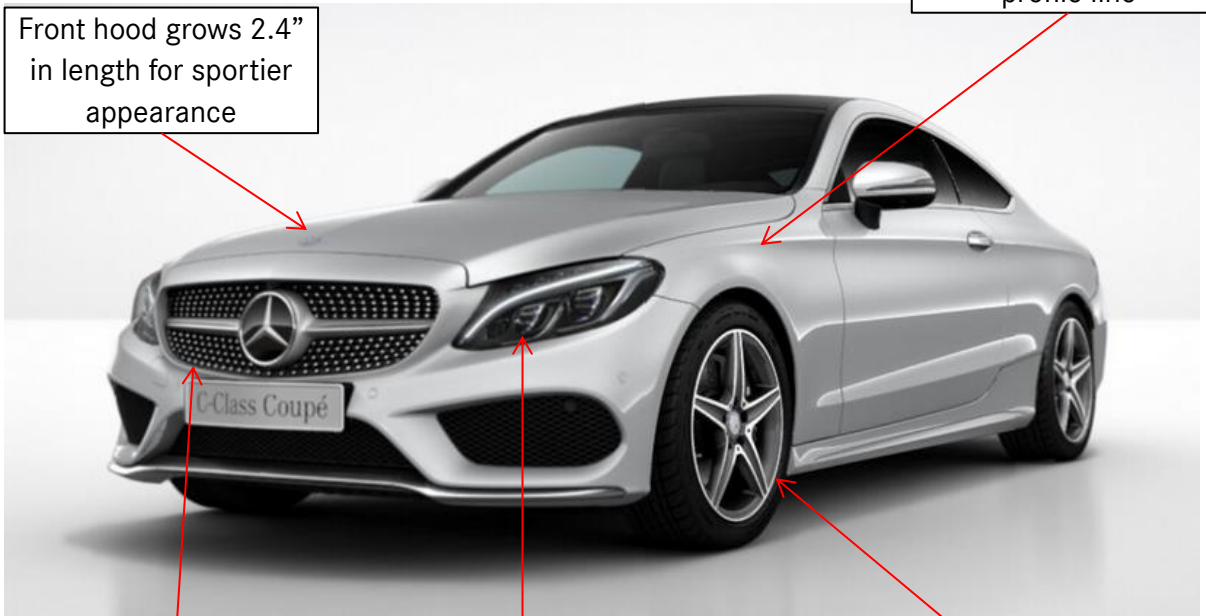
MY15 C-Class Coupe



MY17 C-Class Coupe (321 Sport Package shown)

Front hood grows 2.4" in length for sportier appearance

Elongated dropping profile line



Single-louvre grill design

Standard LED Headlamps

Standard 18" wheels (Sport Package 18" AMG wheels shown)

What's new: C204 vs. C205 Exterior Design

MY15 C-Class Coupe



Full LED rear lamps

MY17 C-Class Coupe



Integrated radio antenna

Standard 18" wheels

New S-Class Coupe inspired styling

Movement of license plate mounting to bumper

MY17 C-Class Coupe

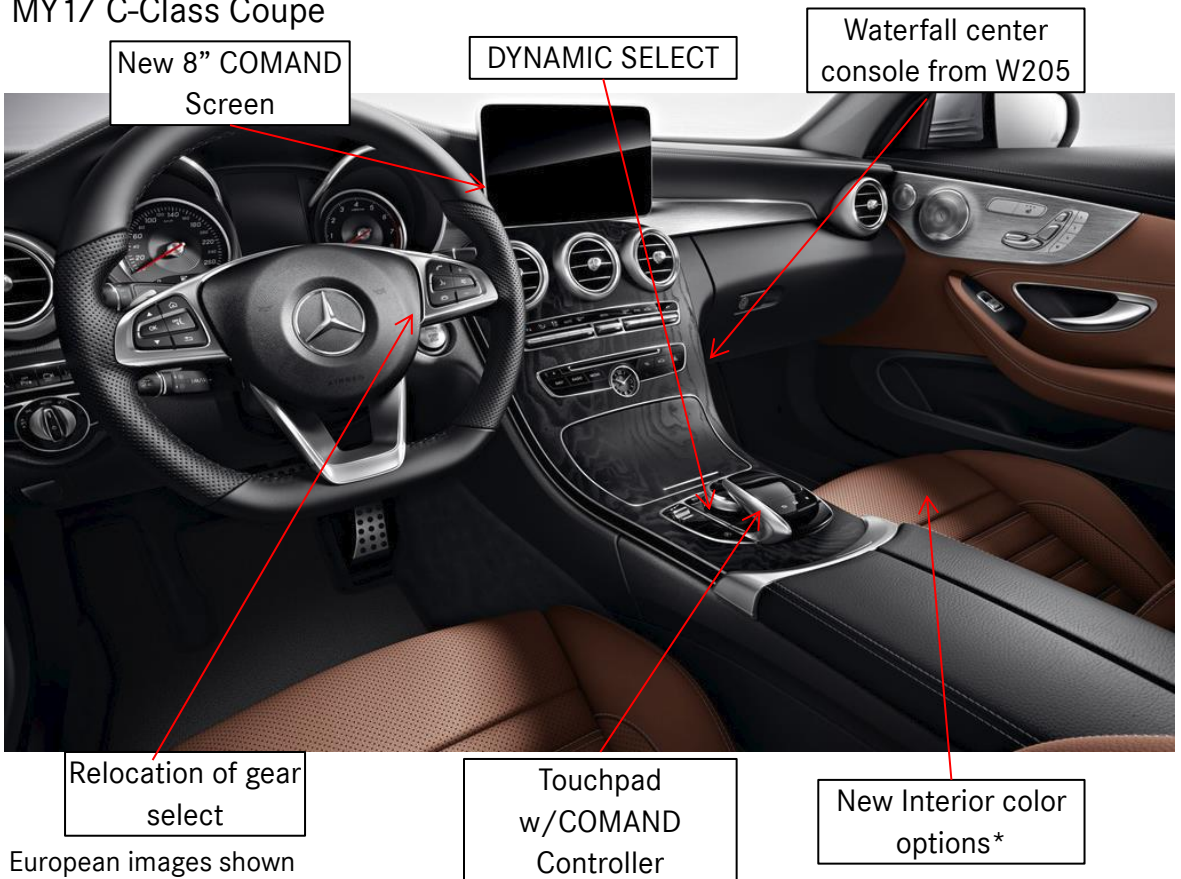
European images shown

What's new: C204 vs. C205 Interior Design

MY15 C-Class Coupe



MY17 C-Class Coupe



∞ MY17 C-Class Coupe

European images shown

What's new: P55 – Night Package

\$TBD

Available with Sport Package (321).



With striking design elements in black, the Night Package underscores the sporty, expressive character of the vehicle.

The Night Package includes:

- ① AMG front apron with trim in high-gloss black
- ② Front grill trim with integral Mercedes-Benz star and 1 louvre in high-gloss black with chrome inserts
- ③ 18" AMG 5-spoke light-alloy wheels, painted in black with a high-sheen finish (792) (upgrade to 19" AMG Multi-Spoke rims painted in black with a high-sheen finish and High-Performance tires (665) possible)
- ④ Beltline trim strip and window weather-strip in high-gloss black
- ⑤ Exterior mirrors in high-gloss black
- ⑥ Diffuser-look rear insert in high-gloss black



European images shown

What's new: Automatic Seatbelt Extender

Standard on all C-Class Coupes



Also found on the ground-breaking S-Class Coupe, the C-Class Coupe's Automatic Seatbelt Extender generously extends the driver and passenger seatbelts forward when the vehicle detects occupants, maximizing convenience and luxury.



What's new: Sliding Panoramic Sunroof

Standard on all C-Class Coupes



The panoramic roof connected directly to the windshield spans 2/3 of the roof area to offer all passengers an excellent view and creates a light, friendly atmosphere in the interior. An electric sunblind provides shade in strong sunlight.

The panoramic sliding sunroof has numerous useful functions for a high level of travelling comfort. In the raised position, the glass roof automatically adjusts in three stages to suit the current vehicle speed. The glass roof is lowered at high speeds, reducing the noise level and air circulation in the interior. Conversely, it raises itself again at low speeds. The panoramic sliding sunroof also responds automatically to rain: if it is open, it automatically moves to the raised position to prevent rain from entering the interior.

What's new: Rearview Camera

Available on all C-Class Coupes



Reverse parking and maneuvering is made much easier and safer by the reversing camera. It is switched on automatically when the driver selects reverse gear, and shows the driver the area behind the vehicle on the COMAND display. Dynamic guide lines assist the driver with his driving maneuvers. The reversing camera is integrated in the rear trunk lid. It is protected from the elements behind a cover which opens when the camera is activated.

Available as a part of Premium Package 1 or as a Stand-alone option.

What's new: Premium Package Structure

The Premium Packages have been split into three Premium Packages, allowing for a simplified package offering structure and easier ordering.

MY16 Sedan

Premium 1 Package

- SiriusXM® Satellite Radio
- KEYLESS-GO
- **MSRP \$700**
- *only with Blind Spot Assist or Driver Assistance Package*

Premium 2 Package

- SiriusXM® Satellite Radio
- KEYLESS-GO
- Burmester Sound System
- LED Headlights
- **MSRP \$2,220**
- *only with Blind Spot Assist or Driver Assistance Package*
- *only with Heated Seats or Interior Package*

MY17 Coupe

Premium 1 Package

- Rearview Camera
- SiriusXM® Satellite Radio
- Burmester Premium Sound
- KEYLESS-GO
- Blind Spot Assist
- *only with Heated Seats or Heated/Ventilated Seats*
- **MSRP \$TBD**

Premium 2 Package

- *Premium 1 plus:*
- COMAND Navigation
- SiriusXM Weather/Traffic
- 8.4" High-Res Screen
- Hands-Free Access
- Electronic Trunk Closer
- Power Folding Door Mirrors
- **MSRP \$TBD**

Premium 3 Package

- *Premium 2 plus:*
- DISTRONIC PLUS with Steering Assist
- Active Blind Spot Assist
- Active Lane Keeping Assist
- AIR BALANCE
- Dynamic LED Headlights
- Adaptive Highbeam Assist
- **MSRP \$TBD.**



Models

	Displacement	Power	Torque	MSRP	Launch
C300 (205.348)	2.0-Liter turbo inline-4	241 hp/ 180 kW	273 @ 1,300- 4,000	\$TBD	3/2016
C300 4M (205.349)	2.0-Liter turbo inline-4	241 hp/ 180 kW	273 @ 1,200- 4,000	\$TBD	3/2016



Standard Equipment Highlights

Performance/Handling

- 7-speed automatic transmission with paddle shifters
- Multi-Link Front Suspension
- Multi-Link Independent Rear Suspension
- DYNAMIC SELECT
- Adaptive Braking Technology
- All-Season Tires
- ECO Start/Stop Technology
- 18" Wheels
- Sport Tuned Suspension

Comfort/Convenience

- KEYLESS START
- Audio System with CD drive
- Two USB Ports
- Bluetooth Technology (for Handsfree Phone Use/Audio Streaming)
- HD Radio
- Power Front Seats with Driver Memory
- 4-way Lumbar Support
- Power Tilt & Telescoping Steering Column
- Electronic Cruise Control
- Power Windows with Express Up and Down
- Automatic Headlamps with Twilight Sensor & Locator Lighting
- Split-Folding Rear Seats (40/20/40)
- Central Controller with 7" high-mounted tablet-style color display
- Multifunction leather steering wheel
- Pre-wiring for GARMIN® Map Pilot
- Dual-zone Automatic Climate Control
- Garage Door Opener
- Intermittent Wipers with Rain Sensor
- Automatic Seatbelt Extender



Standard Equipment Highlights (continued)

Comfort/Convenience (Continued)

- Panorama Sunroof
- LED Headlamps and taillights
- Auto-Dimming Driver & Rear View Mirror
- Front and Rear Cupholders

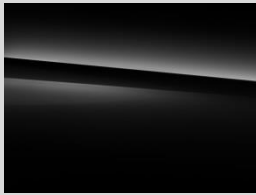
Safety/Security

- New Vehicle 4 Year/50,000 Mile Warranty
- 24h Roadside Assistance Program
- 3-point Seat Belt with Pretensioners & Dual-Stage Belt Force Limiter
- Front Dual Stage Airbags
- Front and Rear Side Window Airbags
- Front Side Airbags
- Driver Kneebag
- ISOFIX Anchor and Tether System
- ATTENTION ASSIST Driver Drowsiness Monitor
- COLLISION PREVENTION ASSIST PLUS (CPA+)
- PRE-SAFE
- Smart Key with Panic Button
- Tire Pressure Monitoring System
- Anti-theft Alarm System



Paints

Non-metallic Paints



040
Black

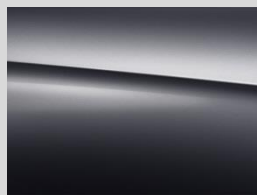


149
Polar White

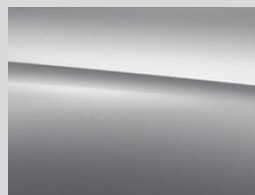
Metallic Paints*



197
Obsidian Black



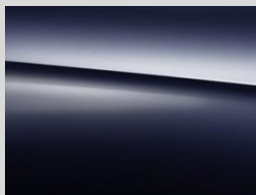
755
Steel Grey



775
Iridium Silver



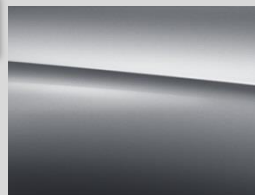
796
Dakota Brown



890
Lunar Blue



896
Brilliant Blue



988
Diamond Silver



992
Selenite Grey

designo Metallic Paints



Metallic paint with high-quality effect pigments and exclusive color shades



297
Selenite Grey Magno**



799
Diamond White
\$1,515



996
Cardinal Red
\$1,080

*Additional charge: \$720

** Only with P88 Edition # 1



Upholsteries

C300/ C300 4MATIC

MB-**Tex**



101 Black



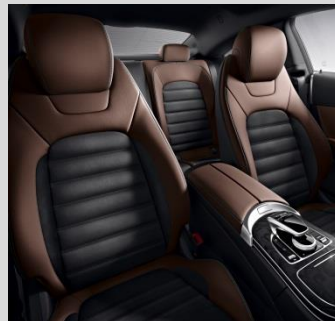
105 Silk Beige/Black



118 Crystal Grey/Black



124 Saddle Brown/Black



654A* Nut Brown/Black
DINAMICA

Leather



201 Black



218 Crystal Grey/Black



224 Saddle Brown/Black



225 Porcelain / Black



227 Cranberry Red/Black

* Only with P88 Edition # 1

Trims

739 – Aluminum/High-Gloss Black



- Standard on all models

736 – Natural Grain Black Ash Wood*



- Requires 321 – Sport Package
- **\$325**

H07 – Linden Wood*



- Optional on all models
- **\$325**

H09 – Natural Grain Brown Ash Wood*



- Optional on all models
- **\$325**



Wheels

Standard

N/C Option

Optional

C300/4M



R32 - 5-Spoke Wheel
All-Season
18"



22R - Split 5-Spoke
All-Season
18"



R17 - Twin 5-Spoke
High-Performance
19"

C300/4M
Sport Package



782 - AMG 5-Spoke
All-Season
18"



788 - AMG Multi-Spoke
High-Performance
19"

C300/4M
Night Package



792 AMG 5-Spoke
Black/polished
All-Season
18"



665 - AMG Multi-Spoke
Black/polished
High-Performance
19"



Wheels

Standard

C300/4M
Edition #1



R90 - Twin 5-Spoke
High-Performance
19"

Visual Equipment Differentiation

Headlights

LED Headlamps (Standard)



- All functions feature LED technology
- Integrated LED daytime running lamps with fibre-optics
- Projector LED low beam and reflective LED high beam technology
- Full LED tail lamps with fibre-optics

Dynamic LED Headlamps (P03 – Premium 3 Package)



- All functions of the Static LED Headlamps plus:
- Active light function for better illumination in curves
 - Dual low/high beam LED projection modules



Option Packages

P01 – Premium 1 Package

\$TBD

Requires Heated Seats (873) or Heated/Ventilated Seats (401).

- 218 – Rear View Camera
- 234 – Blind Spot Assist
- 536 – SiriusXM® Satellite Radio
- 810 – Burmester® Surround Sound System
- 889 – KEYLESS-GO

P02 – Premium 2 Package

\$TBD

Requires Rearview Camera (218) or Parking Assist Package (996).

Requires Heated Seats (873) or Heated/Ventilated Seats (401).

Not with (P01) Premium 1 Package or (P03) Premium 3 Package.

Includes all (P01) Premium 1 Package features plus:

- 531 – COMAND Navigation and Voice Control
- 502 – Navigation Map Updates included for 3 years
- 5 years Traffic and Weather Services (provided by SiriusXM®)
- 8.4” High-Resolution Screen
- 448 - Touchpad
- P17 – Hands-Free Access
- 500 – Power Folding Mirrors
- 877 – Ambient Lighting
- 881 – Electronic Trunk Closer



Option Packages (continued)

P03 – Premium 3 Package

\$TBD

*Requires Rearview Camera (218) or Parking Assist Package (996).
Requires Heated Seats (873) or Heated/Ventilated Seats (401).
Not with (P01) Premium 1 Package or (P02) Premium 2 Package.*

Includes all (P02) Premium 2 Package features plus:

- 233 – DISTRONIC PLUS with Steering Assist
- 237 – Active Blind Spot Assist *replaces (234) Blind Spot Assist*
- 238 – Active Lane Keeping Assist
- 253 – PRE-SAFE Plus
- P21 – AIR BALANCE
- 640 – Dynamic LED Headlights
- 608 – Adaptive Highbeam Assist

315 – AIRMATIC Package

\$TBD

- 483 – DYNAMIC SELECT Adjustable Suspension
- 489 – AIRMATIC Air Suspension
replaces (677) Sport Tuned Suspension or (486) Sport Suspension

318 – Leather Seating Package

\$TBD

- Leather Upholstery (201, 218, 224, 225 or 227)
- U09 – Dash with MB-TEX and top-stitching
- 242 – Passenger Seat with 3-Position Memory

996 – Parking Assist Package

\$TBD

Requires Premium 2 (P02) or Premium 3 (P03) Packages.

- 235 – PARKTRONIC with Active Parking Assist
- 501 – Surround View Camera



Option Packages (continued)

321 – Sport Package

\$TBD

Requires (486) Sport Suspension or (315) AIRMATIC Package.

- 772 – AMG Bodystyling
- 51U – Black Headliner
- Wheel choice of:
 - (782) 18” AMG Wheels
 - (788) 19” AMG Wheels
with High Performance Tires (+\$500)
- Diamond Grill in Chrome
- Flat Bottom Sport Steering Wheel
- Front brakes with perforated discs
- Aluminum Pedals with Rubber Studs
- AMG Floor mats

521 – Night Package

\$TBD

Requires (321) Sport Package.

- High-gloss black elements: front wing, lamellas, rear diffuser insert, exterior mirrors, beltline strip and window weather strip
- Wheel choice: (792) 18” AMG wheel with black inserts
(665) 19” AMG wheel with black inserts
with High Performance tires (+\$500)

P88 – Edition #1 Package

(not dealer orderable)

Premium 2 Package plus:

- 297 – *designo* Selenite Grey Magno
- 654 – Nut Brown MB-TEX & Black DINAMICA Upholstery
with Turquoise Stitching
- 736 – Natural Grain Black Ash Wood
- 772 – AMG Sport Bodystyling
- R90 – Unique 19” Twin Spoke Wheels
- U09 – Dash with Black MB-TEX and Top-Stitching

Stand-Alone Options/Special Order/Accessories

Stand-Alone Options

218	Rearview Camera	\$TBD
401	Heated and Ventilated Seats <i>Only with 318 - Leather Seating Package</i>	\$TBD
463	Head-Up Display	\$TBD
873	Heated Front Seats	\$TBD

Special Order Program (*implies \$250 SPC Charge*)

298	Rear Side Airbags	\$TBD
-----	-------------------	-------

MB Accessories Program

03A	SD-Card for GARMIN® Map Pilot Navigation	\$TBD
00A*	Illuminated Star	\$TBD
068	Wheel Locks	\$TBD
104	Rear Spoiler	\$TBD

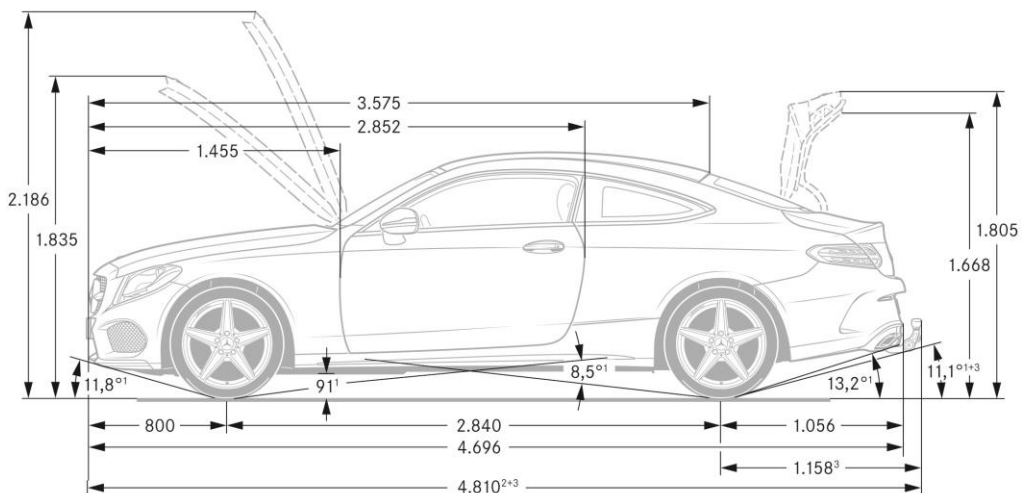
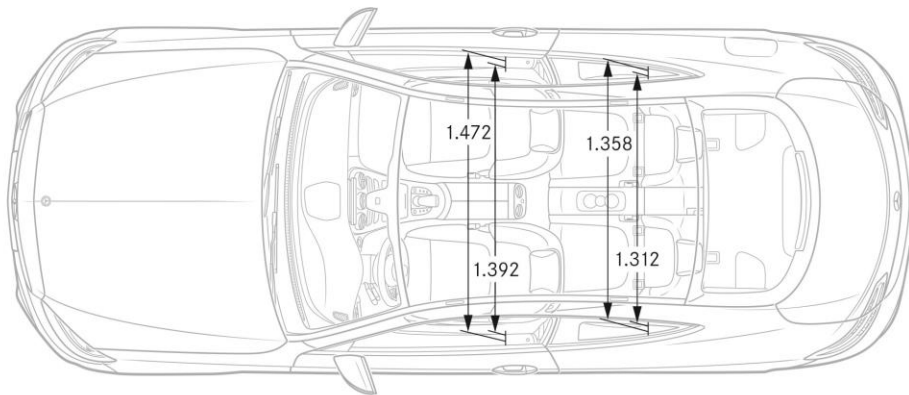
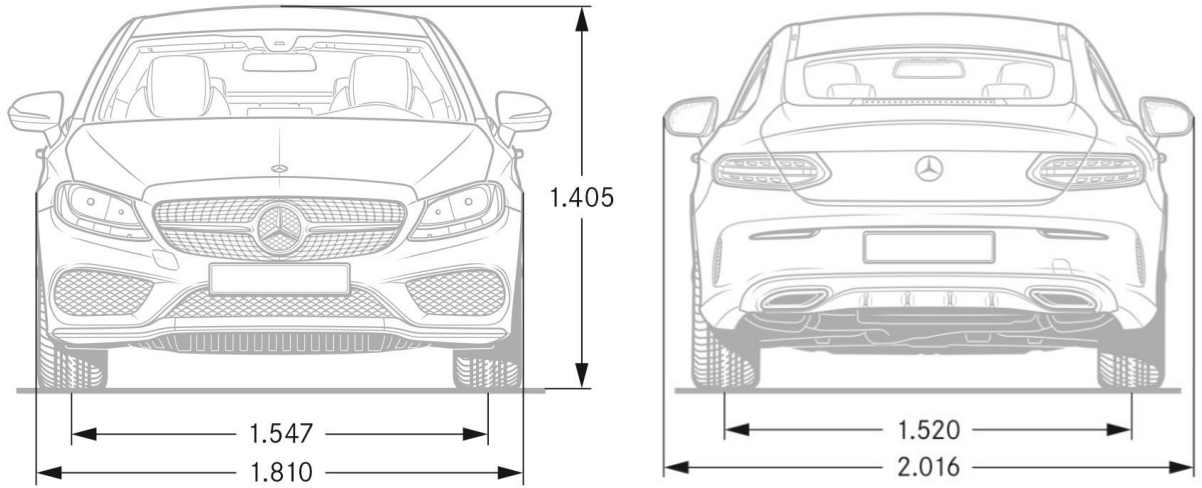


Specifications

	C300	C300 4MATIC
Engine Configuration	2.0L Turbo I4	2.0L Turbo I4
Power (hp) @ 5,550 rpm	241	241
Torque (lb-ft) @ 1,300 - 4,000 rpm	273	273
Acceleration 0-60mph (sec)	5.9 (est)	5.9 (est)
Fuel Economy (Cty/Hwy/Com)	TBD	TBD
Top Speed (mph)	130 (lim.)	130 (lim.)
Fuel Requirement (Octane)	91	91
# Valves per cylinder	4	4
Compression	9.8 : 1	9.8 : 1
Transmission	7G-TRONIC PLUS	7G-TRONIC PLUS
Transmission Speeds	7	7
Drive Configuration	Rear-Wheel Drive	All-Wheel Drive
Standard Front Wheel	7 J x 17	7 J x 17
Standard Rear Wheel	7 J x 17	7 J x 17
Standard Front Tire Size	225/50 R17	225/50 R17
Standard Rear Tire Size	225/50 R17	225/50 R17
Standard Tire Type	All Season	All Season
Fuel Tank Size (gallons)	TBD	TBD
Trunk Size (cubic feet)	TBD	TBD
Curb Weight (lbs)	3,417	3,594
Vehicle Length (in.)	184.5	184.5
Vehicle Width (in.)	71.3	71.3
Vehicle Height (in.)	56.8	56.8
Wheelbase	111.8	111.8
Track Width Front/Rear (in.)	61.53/60.86	61.61/60.75
Coefficient of Drag (Cd)	0.2990	0.3010



Specifications*

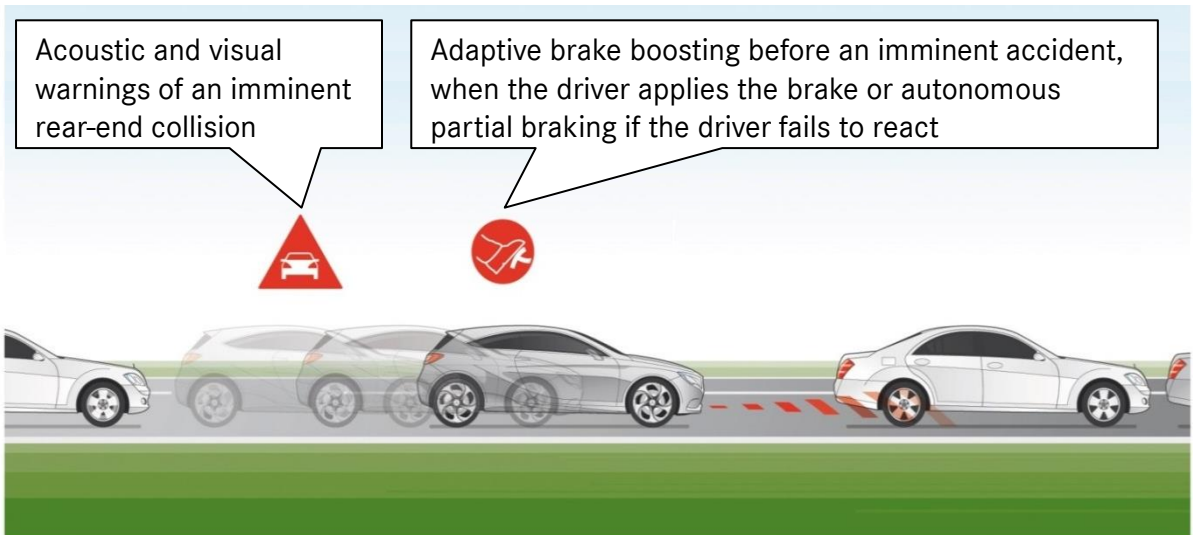


*Values shown in meters

Product Highlights:

COLLISION PREVENTION ASSIST PLUS

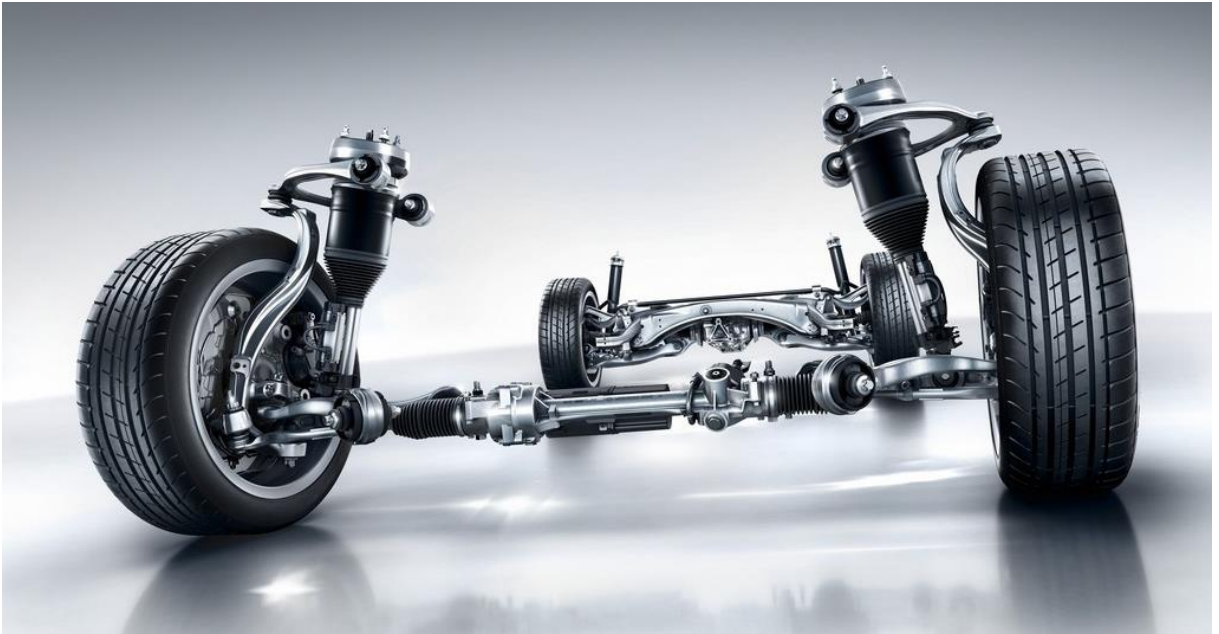
Standard on all C-Class Coupes



- Driving assistance system to lessen the danger of rear-end collisions and mitigate the consequences of accidents
- Combination of radar-based distance warning, assisted braking by Adaptive Brake Assist and autonomous partial braking
- Visual warning via a warning light in the instrument cluster when the safe distance to vehicles in front is too low within a speed range between 4 and 155 mph
- An additional audible warning is sounded if the distance continues to close rapidly
- In case of emergency braking by the driver – and if necessary – COLLISION PREVENTION ASSIST PLUS will increase the brake pressure provided by Adaptive Brake Assist to prevent a collision
- Initiation of autonomous partial braking if the driver fails to react within a speed range of 4 and 65 mph



Product Highlights: AIRMATIC Air Suspension



The combination of AIRMATIC air suspension and DYNAMIC SELECT provides for a tailor-made driving experience.

- DYNAMIC air suspension with continuously variable damping control
- DYNAMIC SELECT with four different transmission modes (adjustment of parameters such as engine, transmission, suspension, steering, air conditioning or ECO start/stop function)
- The individual parameters are set via the controller and the configuration menu in the head unit
- Display of the selected transmission mode in the instrument cluster and head unit



Product Highlights: Head-Up Display

Optional for all C-Class Coupes



Keeping an eye on key information and the road ahead:

- Key driver information at a glance, without the driver having to take their eyes off the road
- Projection of a virtual image measuring approximately 8.2 x 2.8 inches into the driver's field of vision, which appears to float around 6.5 feet in front of him/her, above the bonnet.
- Information is displayed in high-resolution and in color.
- Depending on equipment, the information displayed may include navigation tips, speed, speed limits or settings for cruise control or DISTRONIC PLUS.
- Special light sensor adjusts the brightness of the display to suit the ambient light conditions.
- Height of the display can be adjusted, making it easy to read for drivers of all sizes.



Product Highlights: Ambient Lighting

Optional for all C-Class Coupes



Climb in and feel at home – with its pleasant, indirect light, the ambient lighting creates an unrivalled sense of well-being in the interior. Especially at night, it accentuates the contouring and high quality of the interior design.

Three different colors and five dimming levels are available for the desired lighting mood:

- neutral (white)
- solar (amber)
- polar (ice blue)



Gallery

C300 – 22R Wheel



C300 Sport Package - 321



Gallery

654A/736/P88- Nut Brown MB-Tex, Natural Grain Black Ash

