

# C-Class Sedan



W205

Model Year 2018

*Preliminary – Subject to Change*

Mercedes-Benz

The best or nothing.





## Important note

The information presented in this guide is based on the most current information available and is intended for internal use only. Mercedes-Benz reserves the right to make changes at any time, without notice, to colors, materials, equipment, special specifications and models.

Pricing may not yet be finalized for some models or options.

Due to variances among monitors and printers the colors that appear on your screen and printouts may not be exact.

For illustrative purposes, some images may show vehicles with European Specification.

## Revision History

<i>Date</i>	<i>Changes</i>
2/24/2017	- Initial publication
3/2/2017	- VPC Accessories Updated
3/9/2017	- Updated Sunroof page (pg 8) with KEYLESS-GO summer opening instructions - Added P21 Air Balance to standalone options - 321 AMG Line Updated for C 300. Diamond Grille removed. - P62/P87 packages updated to clarify steering wheels - C 350e package requirements clarified - C 350e technical specifications updated
3/13/2017	- Blue brake calipers and blue headlight trim cancelled globally for MY18 vehicles including C 350e Plug-in Hybrid. "Plug-in Hybrid" front fender badges will still remain standard.
3/24/2017	- Wheel 793 now available for C 63
4/4/2017	- Battery size corrected to 6.4 kWh on C 350e
5/11/2017	- Packages updated: - C 300 / 3004m / 350e: Hands Free Access removed from Premium package, move to standalone 317 – Hands Free Access Package - C 350e: Comfort Package code has been changed to 313 - C 350e Notes: - Intelligent Hybrid Navigation functions are not available with 868 Pkg - Added EV Charging Station locator information to Smartphone Integration Package and Intelligent Hybrid Navigation Multimedia Package - Option and Package Pricing Added
5/15/2017	- <del>Ordering Constraint added for Porcelain Headliner (55U). Temporarily only available with Panorama Roof (413)</del> - Images updated - Upholstery codes updated for <i>designo</i> Nappa leather, corrected P87 floor mat description to saddle brown border.
6/15/2017	- MSRPs added.



## Important note

The information presented in this guide is based on the most current information available and is intended for internal use only. Mercedes-Benz reserves the right to make changes at any time, without notice, to colors, materials, equipment, special specifications and models.

Pricing may not yet be finalized for some models or options.

Due to variances among monitors and printers the colors that appear on your screen and printouts may not be exact.

For illustrative purposes, some images may show vehicles with European Specification.

## Revision History

<i>Date</i>	<i>Changes</i>
6/26/2017	- Constraint on Porcelain Headliner (55U) lifted. 55U now available with standard sunroof (414).



## *C 300, C 300 4MATIC & C 350e Plug-in Hybrid*



Models



What's new



Standard Equipment



Exterior Paint Colors



Wheels



Interior Upholstery



Interior Trims



Option Packages



Stand-Alone Options



Options in Detail



Specifications



*C 300 (205.048)*

- MSRP \$40,600
- 2.0L inline-4 turbo engine
- 9-Speed Automatic Transmission
- 241 hp
- 273 lb-ft
- 5.8 sec (0-60 mph)
- Launch date: TBD



*C 300 4MATIC (205.049)*

- MSRP \$42,600
- 2.0L inline-4 turbo engine
- 9-Speed Automatic Transmission
- 241 hp
- 273 lb-ft
- 5.8 sec (0-60 mph)
- Launch date: TBD



*C 350e Plug-in Hybrid (205.047)*

- MSRP \$47,900
- 2.0L inline-4 turbo engine w/ 60kW e-motor
- 7-Speed Automatic Transmission
- 275 hp (combined)
- 443 lb-ft (combined)
- 5.8 sec (0-60 mph)
- Launch date: Q3 2017



## *Performance & Handling*

- New 9G-TRONIC 9-Speed Automatic Transmission replaces 7-Speed Transmission (C 350e retains 7G-TRONIC transmission)
- Performance increase for C300 and C300 4MATIC: MY18 5.8s (0-60 mph) vs. MY17 6.0s (0-60 mph)

## *Standard Equipment*

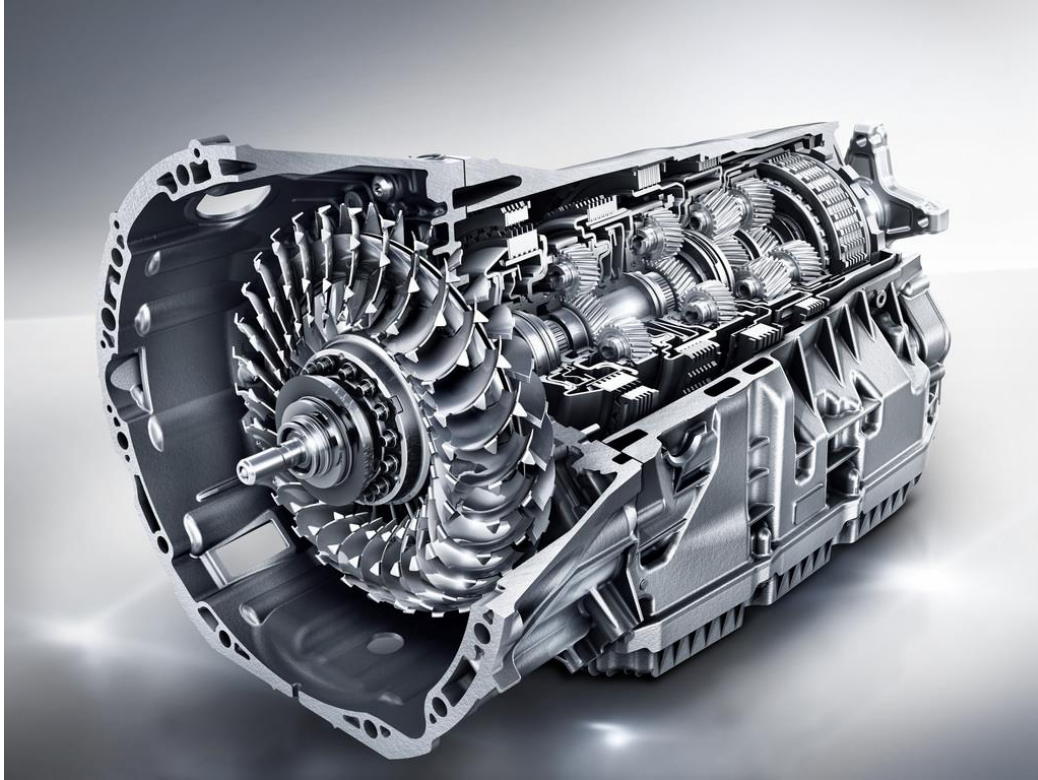
- Power sunroof becomes standard
- Extendable sun visors become standard
- **C350e Only:** LED Headlamps (632) become standard

## *Optional Equipment*

- New 'Categorical' packaging strategy
- Headliners become orderable
- Smartphone Integration Package (868) available
- Natural Grain Black Ash Wood Trim updated to include aluminum door trim, receives new ordering code (737)
- Removal of MB-Tex Dashboard with Topstitching (U09) in AMG Line (321)
- MB-Tex Dashboard with Topstitching (U09) now available as stand-alone option (requires AMG Line, included in designo package P62 or designo package P87)
- Rear spoiler (104) added to AMG Line (321), remains available for standard sedan
- LED Logo Projectors (15A) available as stand-alone option (n/a on C 350e)
- Option price reduction for Panorama Roof (414)
- LED Headlamps (632) now available as stand-alone option
- Burmester® Surround Sound System (810) now available as stand-alone option
- Removal of Luxury Package (167)
- Removal of Silk Beige/Espresso Brown MB-Tex (105)
- Removal of Crystal Grey/Deep Sea Blue MB-Tex (128)
- Removal of Black Leather (221)
- Removal of Silk Beige/Espresso Brown Leather (225)
- Removal of 17" Multi-Spoke Luxury (08R)
- Option price reduction for P62/P87 *designo* packages



## *9G-TRONIC 9-Speed Automatic Transmission*



### **9G-TRONIC 9-speed automatic transmission**

*Standard C 300 & C 300 4MATIC*

Featuring nine forward gears, this automatic transmission takes efficiency, comfort and dynamism to a completely new level. It is the new generation 9-speed automatic transmission with hydrodynamic torque converter in the premium segment. The larger ratio range allows a reduction in engine speed. Performance remains excellent while ride comfort is enhanced and noise levels are reduced. The reduced intervals between the gears lead to faster gear changes and enhanced spontaneity and agility. At the same time, the 9G-TRONIC transmission impresses with smooth, barely perceptible gear shifting like that of a continuously variable transmission. As the 9G-TRONIC transmission is able to skip individual gears, multiple downshifts are possible for fast and powerful sprints.



## Smartphone Integration for Apple CarPlay™ and Android Auto (868 Package)



### Smartphone Integration - Apple CarPlay™ and Android Auto

Smartphone Integration makes safe use of mobile devices possible while on the move. The connection to the smartphone allows access to up-to-date software and data such as navigation and traffic information, media (Streaming Media and IP Radio) as well as contact data and messaging. To prevent driver distraction while on the move, there is no complete duplication of smartphone content.

A data connection via the mobile phone is necessary for certain functions. Corresponding charges may be incurred depending on the mobile phone contract. The functions supported also depend on the smartphone. The information provided by the smartphone manufacturer will also indicate the compatible devices and functions.

**C 350e Plug-in Hybrid**, Apple Maps and Google Maps are able to provide routing to electric charging stations nearby. When ordering Smartphone Integration Package, note that **no map-based intelligent hybrid functions are available**. Vehicle is not able to access Google Maps or Apple Maps data for this function.





## Power Sunroof (414)



### **Power Sunroof (414)**

*Standard*

#### **Glass sunroof – more air, more light**

The electric sliding sunroof provides pleasant, air circulation in the passenger compartment. The sunroof also gives the interior of the vehicle a brighter feel. A movable headliner affords protection against the sun. If it starts to rain or in case of extreme temperatures, the open roof automatically moves to the raised position to prevent water entering the passenger compartment.

#### **Summer Opening and Convenience Closing**

*With KEYLESS-GO*

Press and hold your finger on the 'lock' sensor on the door handle for 5 seconds. Then, continuously pull on the door handle and the windows/sunroof will open. This will also activate the ventilated seats if equipped.



*Without KEYLESS-GO*

Press and hold either the lock or unlock button on the key, with the key pointed towards the driver's door handle, to open or close the windows and sunroof.



## *Performance & Handling*

- 2.0L inline-4 turbo engine
- 9G-TRONIC 9-Speed Automatic Transmission / 7G-TRONIC 7-Speed for C 350e Only
- Multi-Link Front Suspension
- Multi-Link Independent Rear Suspension
- DYNAMIC SELECT
- All-Season Tires
- ECO Start/Stop Technology
- 17" Wheels for C300 / 18" Wheels for C 350e
- AIRMATIC Suspension for C 350e
- Adaptive Braking Technology

## *Comfort & Convenience*

- Power sunroof
- Extendable sun visors
- KEYLESS START
- Rearview camera
- Wood Trim with Analog Clock
- FrontBass® 5-Speaker Audio System with CD drive
- Power Folding Side Mirrors
- Two USB ports
- Bluetooth technology (for hands-free calling/audio streaming)
- HD Radio™
- Power front seats with driver-seat memory
- 4-way power driver's lumbar support
- Power tilt & telescoping steering column
- Power windows with express-up/down
- Automatic light-sensing headlamps
- 40/20/40-split folding rear seats
- Central controller with 7" high-mounted tablet-style color display
- Multifunction Leather Steering Wheel
- Pre-wiring for GARMIN® MAP PILOT®
- Dual-Zone Climate Control
- Rain-sensing windshield wipers
- Front and Rear Cup holders
- Electronic Cruise Control
- Vehicle preconditioning via key, remote app, or timer (C 350e only)
- LED Headlamps (C 350e only)

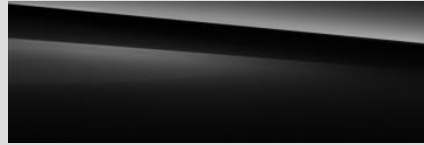
## *Safety & Security*

- New vehicle 4 Year/50,000 mile warranty
- 24h Roadside Assistance Program
- 3-Point Seat Belt with Pretensioners & Adaptive Belt Force Limiter
- Front Dual-Stage Air Bags
- Front and Rear Side Window Air Bags
- Front Side Air bags
- Driver Knee Air Bag
- LATCH/ISOFIX Child Restraint System for Rear Seats
- ATTENTION ASSIST®
- COLLISION PREVENTION ASSIST PLUS (CPA+)
- PRE-SAFE®
- SmartKey
- Tire Pressure Monitoring System (TPMS)
- Antitheft alarm

# Exterior Paint Colors



## Non-metallic Paints



040  
Black  
*Option price: \$0*



149  
Polar White  
*Option price: \$0*

## Metallic Paints



197  
Obsidian Black  
*Option price: \$720*



775  
Iridium Silver  
*Option price: \$720*



796  
Dakota Brown  
*Option price: \$720*



890  
Lunar Blue  
*Option price: \$720*



896  
Brilliant Blue  
*Option price: \$720*



988  
Diamond Silver  
*Option price: \$720*



992  
Selenite Grey  
*Option price: \$720*

## *designo* Paints



996  
Cardinal Red Metallic  
*Option price: \$1,080*



799  
Diamond White Metallic  
*Option price: \$1,515*



R48  
17" Split Y-Spoke  
R02, R66  
*Option price: \$0*  
*C 300 & C 300 4MATIC only*



22R  
18" Twin 5-Spoke  
R02, R66  
*Option price: \$500,*  
*Standard on C 350e Plug-in Hybrid*



782  
18" AMG 5-Spoke  
R02, R66  
*Option price: \$0*  
*C 300 & C 300 4MATIC only*  
*Requires AMG Line (321)*



792  
18" AMG 5-Spoke  
Black  
R02, R66  
*Option price: \$0*  
*C 300 & C 300 4MATIC only*  
*Requires Night Package (521)*



788  
19" AMG Multispoke  
R01, R66  
*Option price: \$500*  
*C 300 & C 300 4MATIC only*  
*Requires AMG Line (321)*



665  
19" AMG Multispoke  
Black  
R01, R66  
*Option price: \$500*  
*C 300 & C 300 4MATIC only*  
*Requires Night Package (521)*





<i>Code</i>	<i>Wheel Size</i>	<i>Description</i>	<i>Wheel Dimensions</i>	<i>Mobility</i>	<i>MSRP</i>
R48	17"	Split Y-Spoke Wheel	225/50 R17 on 7 J x 17 ET 48.5	R02, R66	\$ 0
22R	18"	Twin 5-Spoke Wheel	225/45 R18 on 7.5 J x 18 ET 44 (Front) 245/40 R18 on 8.5 J x 18 ET 56 (Rear)	R02, R66	\$ 500 <i>Standard on C 350e Plug-in Hybrid</i>
782	18"	AMG 5-Spoke Wheel	225/45 R18 on 7.5 J x 18 ET 44 (Front) 245/40 R18 on 8.5 J x 18 ET 49 (Rear)	R02, R66	\$ 0 <i>Requires AMG Line (321)</i>
792	18"	AMG 5-Spoke Wheel, Black	225/45 R18 on 7.5 J x 18 ET 44 (Front) 245/40 R18 on 8.5 J x 18 ET 49 (Rear)	R02, R66	\$ 0 <i>Requires Night Package (521)</i>
788	19"	AMG Multispoke Wheel	225/40 R19 on 7.5 J x 19 ET 44 (Front) 255/35 R19 on 8.5 J x 19 ET 52 (Rear)	R01, R66	\$ 500 <i>Requires AMG Line (321)</i>
665	19"	AMG Multispoke Wheel, Black	225/40 R19 on 7.5 J x 19 ET 44 (Front) 255/35 R19 on 8.5 J x 19 ET 52 (Rear)	R01, R66	\$ 500 <i>Requires Night Package (521)</i>

# Interior Upholstery – MB-TeX



101

Black

*Option price: \$0*

*Not available with AMG Line (321)*



115

Silk Beige/Black

*Option price: \$0*

*Not available with AMG Line (321)*



118

Crystal Grey/Black

*Option price: \$0*

*Not available with AMG Line (321)*



141

Black

*Option price: \$0*

*Requires AMG Line (321)*



# Interior Upholstery – Leather



201  
Black

*Requires Leather Seating Package (318)  
Not available with AMG Line (321)*



215  
Silk Beige/Black

*Requires Leather Seating Package (318)  
Not available with AMG Line (321)*



218  
Crystal Grey/Black

*Requires Leather Seating Package (318)  
Not available with AMG Line (321)*



251  
Black

*Requires AMG Line (321) and  
Leather Seating Package (318)  
Not available for C 350e*



267  
Cranberry Red/Black

*Requires AMG Line (321) and  
Leather Seating Package (318)  
Not available for C 350e*



268  
Crystal Grey/Black

*Requires AMG Line (321) and  
Leather Seating Package (318)  
Not available for C 350e*



# Interior Upholstery – *designo* Nappa leather



975

Platinum White Pearl/Black

*Option price: TBA*

*Requires designo Package (P62)*



974

Saddle Brown/Black

*Option price: TBA*

*Requires designo Package (P87)*







51U

Black Fabric Headliner

*Option price: \$0*

*Available with all interiors*

*Required by AMG Line (321) and  
designo Packages (P62, P87)*



55U

Porcelain Fabric Headliner

*Option price: \$0*

*Available only with Silk Beige/Black MB-Tex (115)  
or Silk Beige/Black Leather (215)*

*Not available with AMG Line (321) or  
designo Packages (P62, P87)*



58U

Crystal Grey Fabric Headliner

*Option price: \$0*

*Available only with Black MB-Tex (101), Crystal  
Grey/Black MB-Tex (118), Black Leather (201) or Crystal  
Grey/Black Leather (218)*

*Not available with AMG Line (321) or  
designo Packages (P62, P87)*





<i>Code</i>	<i>Upholstery</i>	<i>Seats</i>	<i>Floor Mats</i>	<i>Upper Dash/Lower Dash</i>	<i>Seat Belts</i>	<i>Steering Wheel</i>	<i>Headliner</i>
101	Black MB-Tex	Black	Black	Black/Black	Black	Black	Crystal Grey or Black
115	Silk Beige/Black MB-Tex	Beige	Black	Black/ Silk Beige	Black	Black	Porcelain or Black
118	Crystal Grey/Black MB-Tex	Crystal Grey	Black	Black/Black	Black	Black	Crystal Grey or Black
141	Black MB-Tex	Black	Black	Black/Black	Black	Black	Black
201	Black Leather	Black	Black	Black/Black	Black	Black	Crystal Grey or Black
215	Silk Beige/Black Leather	Beige	Black	Black/ Silk Beige	Black	Black	Porcelain or Black
218	Crystal Grey/Black Leather	Crystal Grey	Black	Black/Black	Black	Black	Crystal Grey or Black
251	Black Leather	Black	Black	Black/Black	Black	Black	Black
267	Cranberry Red Leather	Cranberry Red	Black	Black/Black	Black	Black	Black
268	Crystal Grey/Black Leather	Crystal Grey	Black	Black/Black	Black	Black	Black
975	Platinum White Pearl/ Black Nappa Leather	Platinum White Pearl/Black	Black w/ White Piping	Black MB-Tex/Black	Black	Black	Black
974	Saddle Brown/ Black Nappa Leather	Saddle Brown	Black w/ Brown Piping	Black MB-Tex/Black	Black	Black	Black



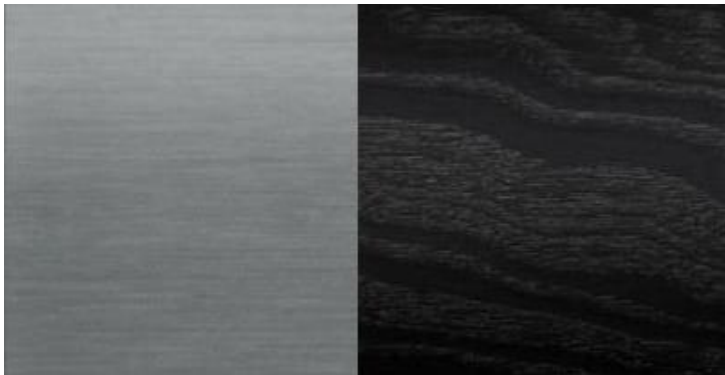
H09  
Natural Grain Brown Ash Wood trim  
*Option price: \$0*



H07  
Dark Brown Linden Wood Trim  
*Option price: \$0*



731  
Burl Walnut Wood Trim  
*Option price: \$0*  
*Not with AMG Line (321)*



737 + 739  
Natural Grain Black Ash Wood Console and  
Aluminum Door Trim  
*Option price: \$0*





<i>Code</i>	<i>Packages</i>	<i>Availability</i>	<i>MSRP</i>
P01	<b>Premium Package</b> <i>Not available with Premium Driver Assistance Package (997), Blind Spot Assist (234) or SiriusXM® Satellite Radio (536)</i> <ul style="list-style-type: none"> <li>▪ 234 – Blind Spot Assist</li> <li>▪ 536 – SiriusXM® Satellite Radio</li> <li>▪ 889 – KEYLESS-GO®</li> </ul>	C 300 & C 300 4MATIC	\$ 1,250
P01	<b>Premium Package</b> <i>Requires Blind Spot Assist (234) or Driver Assistance Package (997)</i> <ul style="list-style-type: none"> <li>▪ 536 – SiriusXM® Satellite Radio</li> <li>▪ 889 – KEYLESS-GO®</li> </ul>	C 350e Plug-in Hybrid	\$ 700
318	<b>Leather Seating Package</b> <ul style="list-style-type: none"> <li>▪ 2XX – Leather Upholstery</li> <li>▪ 242 – 3-Position Memory for Passenger Seat with Adjustable Thigh Support</li> </ul>	All Models	\$ 1,950
317	<b>Hands-Free Access Package</b> <i>Requires Premium Package (P01) or (Premium) Driver Assistance Package (997)</i> <ul style="list-style-type: none"> <li>▪ 871 – HANDS-FREE ACCESS</li> <li>▪ 881 – Electronic Trunk Closer</li> </ul>	All Models	\$ 250
313	<b>Comfort Package</b> <ul style="list-style-type: none"> <li>▪ 313 – Manual Rear-Side Window Sunshades</li> <li>▪ 540 – Power Rear-Window Sunshade</li> </ul>	C 350e Plug-in Hybrid	\$ XXXX
996	<b>Parking Assist Package</b> <ul style="list-style-type: none"> <li>▪ 235 – PARKTRONIC with Active Parking Assist</li> <li>▪ 501 – Surround View System</li> </ul>	All Models	\$ 1,090



<i>Code</i>	<i>Packages</i>	<i>Availability</i>	<i>MSRP</i>
319	<p><b>Advanced Lighting Package</b>  <i>Requires Premium 1 Package (P01) or Premium Driver Assistance Package (997)</i>  <i>Not available with the stand-alone option LED headlamps (632)</i></p> <ul style="list-style-type: none"> <li>▪ 640 – Active LED headlamps with Active Curve Illumination and Cornering Lights</li> <li>▪ 608 – Adaptive Highbeam Assist</li> <li>▪ 877 – Ambient lighting</li> <li>▪ U25 – Illuminated door sills</li> </ul>	C 300 & C 300 4MATIC	\$ 1,900
319	<p><b>Advanced Lighting Package</b>  <i>No package requirements</i></p> <ul style="list-style-type: none"> <li>▪ 640 – Active LED headlamps with Active Curve Illumination and Cornering Lights</li> <li>▪ 608 – Adaptive Highbeam Assist</li> </ul>	C 350e Plug-in Hybrid	\$ 800
320	<p><b>Multimedia Package</b>  <i>Requires Premium Package (P01), Premium Driver Assistance Package (997) or SiriusXM® Satellite Radio (536)</i>  <i>Not available with Smartphone Integration Package (868)</i></p> <ul style="list-style-type: none"> <li>▪ 531 – COMAND® Navigation with 8.4-inch High-Resolution Color Screen</li> <li>▪ 448 – Touchpad</li> <li>▪ 502 – Navigation Map Updates for First Three Years</li> </ul>	C 300 & C300 4MATIC	\$ 2,200
320	<p><b>Intelligent Hybrid Navigation and Multimedia Package</b>  <i>Requires Premium Package (P01), Not Available with Smartphone Integration Package (868)</i></p> <ul style="list-style-type: none"> <li>▪ 531 – COMAND® Navigation with Intelligent Hybrid Routing Functions and 8.4-inch High-Resolution Color Screen</li> <li>▪ 502 – Navigation Map Updates for First Three Years</li> <li>▪ 448 – Touchpad</li> <li>▪ <b>Route-Based Battery Optimization</b> – Ensures better gas mileage in HYBRID mode by scanning map data over the course of an entire route. A destination must be set in COMAND and DYNAMIC SELECT in ECO mode. In the background, the car intelligently decides how to use the battery and still provide a few miles of e-driving at the end of the route.</li> <li>▪ <b>Anticipatory Operating Mode</b> – Optimizes battery usage in HYBRID mode by scanning map data including elevation changes, traffic, and road types up to 4 miles ahead. DYNAMIC SELECT must be set to ECO.</li> </ul>	C 350e Plug-in Hybrid	\$ 2,200



<i>Code</i>	<i>Packages</i>	<i>Availability</i>	<i>MSRP</i>
868	<p><b>Smartphone Integration Package (Delayed Availability)</b>  <i>Not available with Multimedia Package (320)</i></p> <ul style="list-style-type: none"> <li>▪ 14U – Smartphone Integration</li> <li>▪ 16U – Apple CarPlay™</li> <li>▪ 17U – Android Auto</li> </ul>	All Models	\$ 350
321	<p><b>AMG Line</b>  <i>When ordered with Heated Steering Wheel (443) or designo Saddle Brown interior (P87), the flat-bottom steering wheel is replaced with a round steering wheel</i></p> <ul style="list-style-type: none"> <li>▪ 772 – AMG Body Styling</li> <li>▪ P29 – AMG Line Interior</li> <li>▪ P31 – AMG Line Exterior</li> <li>▪ 51U – Black Fabric Headliner</li> <li>▪ 104 – Rear Spoiler</li> <li>▪ Flat-bottom Steering Wheel</li> <li>▪ Front brakes with perforated discs and Mercedes-Benz lettered brake calipers</li> <li>▪ Brushed aluminum sport pedals with rubber studs</li> <li>▪ AMG Carpeted Floor Mats</li> </ul>	C 300 & C300 4MATIC	\$ 2,175
521	<p><b>Night Package</b>  <i>Requires AMG Line</i></p> <ul style="list-style-type: none"> <li>▪ P55 - High-Gloss black elements: Front wing, grille lamellas, rear diffuser insert, exterior mirrors, beltline and window trim</li> </ul>	C 300 & C300 4MATIC	\$ 300



<i>Code</i>	<i>Packages</i>	<i>Availability</i>	<i>MSRP</i>
997	<p><b>Premium Driver Assistance Package</b>  <i>Requires Multimedia Package (320)</i>  <i>Not available with Premium Package (P01), Blind Spot Assist (234) or SiriusXM® Satellite Radio (536)</i>  <b>Includes content of Premium Package (P01) plus:</b></p> <ul style="list-style-type: none"> <li>▪ 23P - Driver Assistance Package Plus</li> <li>▪ 233 - DISTRONIC PLUS with Steering Assist and Stop &amp; Go Pilot</li> <li>▪ 237 - Active Blind Spot Assist</li> <li>▪ 238 - Active Lane Keeping Assist</li> <li>▪ 253 - PRE-SAFE® PLUS</li> <li>▪ 268 - BAS PLUS with Cross-Traffic Assist</li> <li>▪ 300 - PRE-SAFE® Brake with Pedestrian Recognition</li> <li>▪ 513 - Speed Limit Assist</li> </ul>	C 300 & C 300 4MATIC	\$ 3,300
997	<p><b>Plug-in Hybrid Driver Assistance Package</b>  <i>No package requirements</i></p> <ul style="list-style-type: none"> <li>▪ 23P - Driver Assistance Package Plus</li> <li>▪ 233 - DISTRONIC PLUS with Steering Assist and Stop &amp; Go Pilot</li> <li>▪ 237 - Active Blind Spot Assist</li> <li>▪ 238 - Active Lane Keeping Assist</li> <li>▪ 253 - PRE-SAFE® PLUS</li> <li>▪ 268 - BAS PLUS with Cross-Traffic Assist</li> <li>▪ 300 - PRE-SAFE® Brake with Pedestrian Recognition</li> <li>▪ 513 - Speed Limit Assist</li> <li>▪ <b>Enhanced Radar-Based Regenerative Braking</b>– Improves fuel economy by 3-5% in traffic by utilizing DISTRONIC radar to adapt regenerative braking levels based on traffic. Requires DYNAMIC SELECT set to ECO.</li> <li>▪ <b>Anticipatory shift strategy</b> makes use of data from DISTRONIC for gear shifts, thus enhancing agility and ride comfort</li> </ul>	C 350e Plug-in Hybrid	\$ 2,250



Code	Packages	Availability	MSRP
P62	<p><b><i>designo</i> Platinum White Pearl / Black Nappa leather</b></p> <p><i>Not with heated steering wheel (443)</i>  <i>Requires heated front seats (873) or heated and ventilated seats (401)</i>  <i>Requires Natural Grain Black Ash wood center console with brushed aluminum door trim (737)</i></p> <ul style="list-style-type: none"> <li>▪ 975 - <i>designo</i> Platinum White Pearl / Black Two-Tone Nappa leather seats in diamond quilt design, with white contrast stitching, and <i>designo</i> badge on backrests of front and rear seats</li> <li>▪ U04 - <i>designo</i> black floor mats with white border and <i>designo</i> badge in the front floor mats</li> <li>▪ 51U - Black fabric headliner</li> <li>▪ 242 - Memory passenger seat with adjustable thigh support</li> <li>▪ U09 - Dashboard and Upper Doors in MB-TEX with topstitching</li> <li>▪ Center door panels in <i>designo</i> Platinum White Pearl Nappa leather and center console armrest in <i>designo</i> Black Nappa leather</li> <li>▪ Flat-bottom sport multifunction steering wheel in black Nappa leather (Standard round steering wheel always replaced)</li> </ul>	All Models	\$ XXXX
P87	<p><b><i>designo</i> Saddle Brown / Black Nappa leather</b></p> <p><i>Not with heated steering wheel (443)</i>  <i>Requires heated front seats (873) or heated and ventilated seats (401)</i>  <i>Requires Dark Brown Linden wood (H07)</i></p> <ul style="list-style-type: none"> <li>▪ 974 - <i>designo</i> Saddle Brown Nappa leather seats in diamond quilt design, with beige contrast stitching and piping on seat and headrests, and <i>designo</i> badge on backrests of front and rear seats</li> <li>▪ U04 - <i>designo</i> black floor mats with saddle brown border and <i>designo</i> badge in the front floor mats</li> <li>▪ 51U - Black fabric headliner</li> <li>▪ 242 - Memory passenger seat with adjustable thigh support</li> <li>▪ U09 - Dashboard and Upper Doors in MB-TEX with topstitching</li> <li>▪ Center door panels and armrests in <i>designo</i> Saddle Brown Nappa leather</li> <li>▪ Round multifunction steering wheel in black Nappa leather (if ordered with AMG Line, flat bottom steering wheel is replaced with round)</li> </ul>	All Models	\$ XXXX



# Stand-Alone Options



<i>Code</i>	<i>Options</i>	<i>Availability</i>	<i>MSRP</i>
234	Blind Spot Assist <i>C 300 &amp; C 300 4MATIC: Not available with Premium Package (P01) Package or Premium Driver Assistance Package (997)</i> <i>C 350e: Only with Premium Package (P01)</i>	All Models	\$ 550
289	Black Leather Steering Wheel with Burl Walnut Inlays <i>Requires Burl Walnut Wood Trim (731)</i> <i>Not available with Heated Steering Wheel (443)</i> <i>Not available with AMG Line (321) or designo Packages (P62 or P87)</i>	All Models	\$ 500
401	Heated and Ventilated Front Seats <i>Only available with Leather Seating Package (318) or designo Packages (P62 or P87)</i>	All Models	\$ 1,030
413	Panorama roof	All Models	\$ 1,090
443	Heated Steering Wheel <i>Not available with 289 Burl Walnut Wood Steering Wheel or designo Packages (P62 or P87)</i> <i>AMG Line (321) loses Flat-bottom Steering Wheel</i>	All Models	\$ 250
463	Head-Up Display	All Models	\$ 990
810	Burmester® Premium Sound System	All Models	\$ 850
873	Heated Front Seats	All Models	\$ 580
P21	Air Balance Cabin Air Purification and Fragrance System	All Models	\$ 350
313	Manual Rear Side-Window Sunshades	C 300 & C 300 4MATIC	\$ 380
536	SiriusXM® Satellite Radio <i>Not available with Premium Package (P01) Package or Driver's Assistance Package (997)</i>	C 300 & C 300 4MATIC	\$ 460
540	Power Rear-window Sunshade	C 300 & C 300 4MATIC	\$ 440
632	LED Headlamps <i>Not available with Advanced Lighting Package (319), Standard for C 350e</i>	C 300 & C 300 4MATIC	\$ 850

# Stand-Alone Options



<i>Code</i>	<i>Options</i>	<i>Availability</i>	<i>MSRP</i>
U09	MB-Tex Upper Dashboard and Doors with Topstitching <i>Requires AMG Line, Included in designo Packages (P62, P87)</i>	C 300 & C300 4MATIC	\$ 350
235	PARKTRONIC with Advanced Parking Assist	C 350e Plug-in Hybrid	\$ XXXX
877/U25	Ambient Interior Lighting with Illuminated Door Sills	C 350e Plug-in Hybrid	\$ XXXX



# Stand-Alone Options



<i>Code</i>	<i>VPC Installed Accessories</i>	<i>Availability</i>	<i>MSRP</i>
03A	SD-Card for GARMIN® map pilot navigation <i>Not available with Multimedia Package (320)</i>	All Models	\$ 625
068	Wheel Locking Bolts	All Models	\$ 150
070	Chrome Door Handle Inserts	All Models	\$ 100
104	Rear Spoiler <i>Included in AMG Line Package (321)</i>	All Models	\$ 350
11A	Black Mirror Housing Covers <i>Not available with Night Package (521) or Carbon Fiber-look Mirror Housing Covers (16A)</i>	C 300 & C300 4MATIC	\$ 250
16A	Carbon Fiber-look Mirror Housing Covers <i>Not available with Night Package (521) or Black Mirror Housing Covers (11A)</i>	C 300 & C300 4MATIC	\$ 250
15A	LED Logo Projectors	C 300 & C300 4MATIC	\$ 200
00A	Illuminated Star <i>Not with Premium Driver Assistance Package (997)</i>	C 300 & C300 4MATIC	\$ 450

## Headlamps C 300, C 300 4MATIC, C 350e



### **Halogen headlamps**

*Standard  
(C 300 & C 300 4MATIC only)*

- Halogen headlamps including integral LED daytime running lamps



### **LED headlamps**

*Standard on C 350e only  
Option price: \$XXXX*

- All functions feature LED technology
- Integrated LED daytime running lamps with fiber-optics
  - Projector LED low beam and reflective LED high beam technology
  - Full LED tail lamps with fiber-optics



### **Active LED headlamps**

*Only available with Advanced Lighting Package (319)  
C 350e Option Price: \$800  
C 300 / 300 4M Option Price: \$TBD*

- All functions of the LED Headlamps plus:
- Active light function pivots headlamps to follow the road for better illumination
  - Cornering lights improve road illuminations by shedding more light on the turning side
  - Dual low/high beam LED projection modules



## *Steering Wheels*



### **Multifunction Leather Steering Wheel**

- Black leather 3-spoke multifunction steering wheel with perforated side grips
- 12 ergonomic function keys operate display menus, audio volume, and telephone and navigation (if equipped) functionalities



### **AMG Line (321) Flat-bottom Steering Wheel**

*When AMG Line (321) is ordered with Heated Steering Wheel (443), the Flat bottom Steering Wheel is replaced with round wheel*

- Black leather 3-spoke multifunction steering wheel with perforated side grips
- 12 ergonomic function keys operate display menus, audio volume, and telephone and navigation (if equipped) functionalities



### **Heated Steering Wheel (443)**

- Black leather 3-spoke multifunction steering wheel with perforated side grips
- 12 ergonomic function keys operate display menus, audio volume, and telephone and navigation (if equipped) functionalities



### **Black Leather Steering Wheel with Burl Walnut Inlays (289)**

*Requires 101, 115, 118, 201, 215 or 218 interiors*

*Requires Burl Walnut Wood Trim (731)  
Not with AMG Line (321) and heated steering wheel (443)*

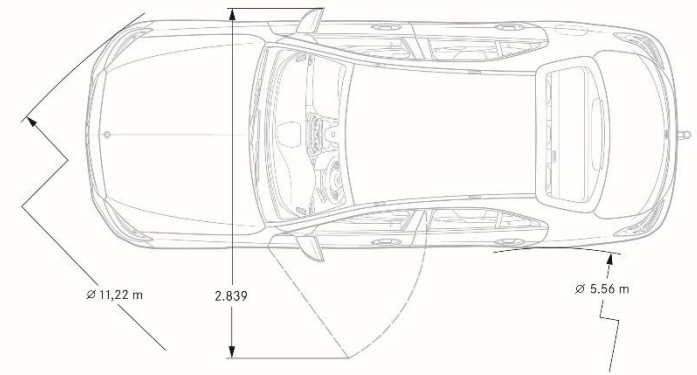
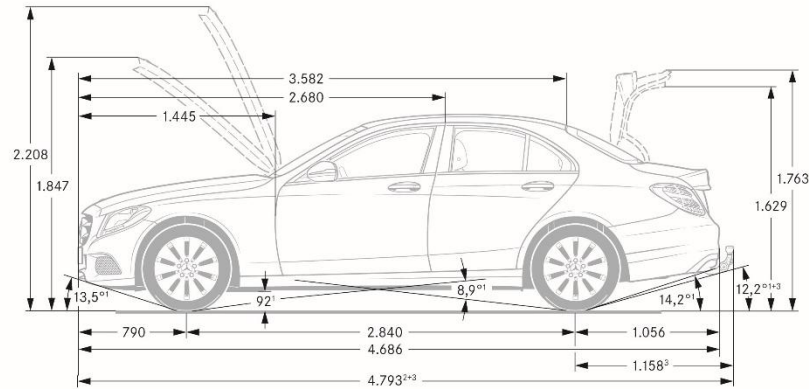
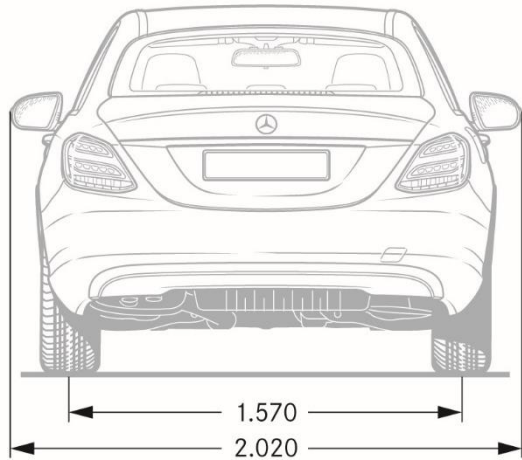
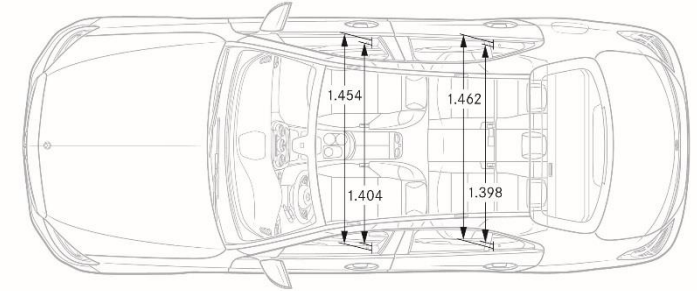
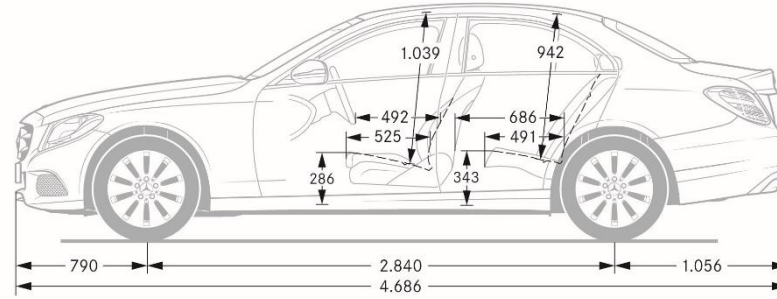
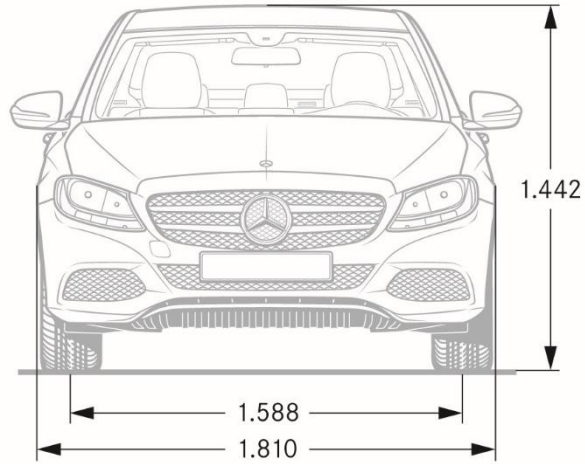
- Black leather 3-spoke multifunction steering wheel with top and bottom full Burl Walnut Inlays
- 12 ergonomic function keys operate display menus, audio volume, and telephone and navigation (if equipped) functionalities

# Specifications



	<i>C 300</i>	<i>C 300 4MATIC</i>	<i>C 350e Plug-in Hybrid</i>
Engine Configuration	2.0L Inline-4 Turbo	2.0L Inline-4 Turbo	2.0L Inline-4 Turbo
Power (hp)	241	241	275 comb/80 elec.
Torque (lb-ft)	273	273	443 comb /251 elec.
Displacement (cc)	1.991	1.991	1.991
Acceleration 0-60 mph (sec)	5.8	5.8	5.8
Electric range (miles)	-	-	10
Charge time, 240V (hours) / 110V (hours)	-	-	2.5 / 4.5
Battery Size (kWh)	-	-	6.4
Fuel Economy (Cty/Hwy/Comb)	TBD	TBD	45/61/51 MPGe
Top Speed (mph)	130 (lim.)	130 (lim.)	130 (lim.) / 80 (electric)
Fuel Requirement (Octane)	91	91	91
# Valves per cylinder	4	4	4
Compression	9.8 : 1	9.8 : 1	9.8 : 1
Transmission	9G-TRONIC PLUS	9G-TRONIC PLUS	7G-TRONIC PLUS
Transmission Speeds	9	9	7
Drive Configuration	Rear-Wheel Drive	All-Wheel Drive	Rear-Wheel Drive
Fuel Tank Size (gallons)	17.4	17.4	13.2
Trunk Size (cubic feet)	12.6	12.6	11.8
Curb Weight (lbs)	TBD	TBD	3,924
Vehicle Length (in.)	184.5	184.5	184.5
Vehicle Width w/ exterior mirrors (in.)	79.5	79.5	79.5
Vehicle Width w/o exterior mirrors (in.)	71.3	71.3	72.1
Vehicle Height (in.)	56.8	56.8	56.8
Wheelbase (in.)	111.8	111.8	111.4
Track Width Front/Rear (in.)	61.53/60.86	61.61/60.75	61.5/60.4
Coefficient of Drag (Cd)	0.2990	0.3010	0.29

# Specifications\* – C 300/C 300 4MATIC/C 350e Plug-in Hybrid



# AMG C-Class Sedan



W205

Model Year 2018

Preliminary – Subject to Change

**AMG**  
DRIVING PERFORMANCE



## C43, C63 & C63S



Models



What's new



Standard Equipment



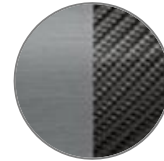
Exterior Paint Colors



Wheels



Interior Upholstery



Interior Trims



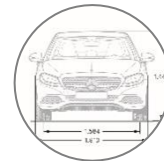
Option Packages



Stand-Alone Options



Options in Detail



Specifications



*AMG C43 (205.064)*

- MSRP \$53,400
- AMG-enhanced 3.0L V6 biturbo engine
- 362 hp
- 384 lb-ft
- 4.6 sec (0-60 mph)
- Launch date: 8/2017



*AMG C63 (205.086)*

- MSRP \$66,100
- Handcrafted AMG 4.0L V8 biturbo engine
- 469 hp
- 479 lb-ft
- 4.0 sec (0-60 mph)
- Launch date: 8/2017



*AMG C63 S (205.087)*

- MSRP \$73,700
- Handcrafted AMG 4.0L V8 biturbo engine
- 503 hp
- 516 lb-ft
- 3.9 sec (0-60 mph)
- Launch date: 8/2017

## *Standard Equipment*

- Power sunroof becomes standard (414)
- HANDS-FREE ACCESS becomes standard (871)
- Electronic Trunk Closer becomes standard (881)
- Extendable sun visors become standard
- Natural Grain Black Ash Wood Trim updated to include aluminum door trim, receives new ordering code (737)

## *Optional Equipment*

- New 'Categorical' packaging strategy
- Introduction of AMG Track Pace App (255) (Requires Multimedia Package (520))
- LED Logo Projectors (15A) available as stand-alone option
- Option price reduction for Panorama Roof (413)
- LED Headlamps (632) now available as stand-alone option - C43 only
- Burmester® Surround Sound System (810) now available as stand-alone option - C43 only
- Smartphone Integration Package becomes available (868) (Not available with Multimedia Package (320))
- AMG illuminated door sills (U25) are now included in the Advanced Lighting Package (319)

## Performance & Handling

- AMG-enhanced 9G-TRONIC transmission w/ shift paddles (C43)
- AMG SPEEDSHIFT® MCT 7-speed transmission w/ shift paddles (C63/63 S)
- AMG DYNAMIC SELECT
- Adaptive braking technology
- AMG RIDE CONTROL Sport Suspension w/ adaptive 3-stage damping
- 3-stage Electronic Stability Program (ESP)
- AMG Performance 4MATIC 31:69 (C43)
- Mechanical limited-slip rear differential (C63)
- Electronic limited-slip differential (C63 S)
- Dynamic engine mounts (C63 S)

## Comfort & Convenience

- Power sunroof
- KEYLESS START
- KEYLESS-GO
- FrontBass® speed-sensitive five speaker sound system
- Two USB ports
- Power folding side mirrors
- Split-folding rear seats (40/20/40)
- Central controller with 7" high-mounted tablet-style color display
- Bluetooth (for Hands-free Calling/Audio Streaming)
- HD Radio
- SiriusXM Radio
- Power and heated front sport seats with memory
- 4-way driver's lumbar support
- Multifunction sport leather steering wheel
- Pre-wiring for GARMIN® MAP PILOT®
- Dual-zone climate control
- HomeLink® garage door opener
- Electronic cruise control
- Power tilt & telescoping steering column
- Automatic light-sensing headlamps
- Intermittent wipers with rain sensor
- Auto-dimming rearview and driver-side mirrors
- Front and rear cupholders
- Burmester® Surround Sound System (C63/63 S)
- LED Headlamps (C63/63 S)
- HANDS-FREE ACCESS
- Electronic Trunk Closer
- Rearview camera
- Wood trim

## Safety & Security

- New vehicle 4 year/50,000 mile warranty
- 24h Roadside Assistance Program
- 3-point seat belt with pre-tensioners & dual-stage belt force limiter
- Blind Spot Assist
- Front dual stage airbags
- Front and rear side window airbags
- Front side airbags
- Driver Knee Air Bag
- LATCH/ISOFIX Child Restraint System for Rear Seats
- ATTENTION ASSIST® driver drowsiness monitor
- COLLISION PREVENTION ASSIST PLUS (CPA+)
- SmartKey with panic button
- Tire Pressure Monitoring System (TPMS)
- Antitheft alarm system
- PRE-SAFE®

## Non-metallic Paints



040  
Black  
*Option price: \$0*



149  
Polar White  
*Option price: \$0*

## Metallic Paints



197  
Obsidian Black  
*Option price: \$720*



775  
Iridium Silver  
*Option price: \$720*



796  
Dakota Brown  
*Option price: \$720*



890  
Lunar Blue  
*Option price: \$720*



896  
Brilliant Blue  
*Option price: \$720*



988  
Diamond Silver  
*Option price: \$720*



992  
Selenite Grey  
*Option price: \$720*

## *designo* Paints



996  
Cardinal Red Metallic  
*Option price: \$1,080*



799  
Diamond White Metallic  
*Option price: \$1,515*



661  
18" AMG 5-Spoke

*Option price: \$0*  
C 43 only



644  
19" AMG Split 5-Spoke

*Option price: \$850*  
C 43 only



604  
19" AMG Split 5-Spoke  
w/ Black Accents

*Option price: \$850*  
C 43 only



605  
19" AMG Multi-Spoke

*Option price: \$850*  
C 43 only



606  
19" AMG Multi-Spoke  
w/ Black Accents

*Option price: \$850*  
C 43 only



790  
18" AMG Twin 5-Spoke

*Option price: \$0*  
C 63 only



793  
19" AMG Twin 5-Spoke

*Option price:*  
\$700 (C 63)/\$0 (C 63 S)  
C 63, C 63 S only



770  
19" AMG Forged Cross-Spoke

*Option price:*  
\$1,950 (C 63)/\$1,250 (C 63 S)  
C 63, C 63 S only



662  
19" AMG Forged Cross-Spoke  
Black

*Option price:*  
\$2,450 (C 63)/\$1,750 (C 63 S)  
C 63, C 63 S only

<i>Code</i>	<i>Wheel Size</i>	<i>Description</i>	<i>Wheel Dimensions</i>	<i>Mobility</i>	<i>Availability</i>	<i>MSRP</i>
661	18"	AMG Multi-Spoke Wheel	225/45 R18 on 7.5 J x 18 H ET 33 (Front) 245/40 R18 on 8.5 J x 18 H ET 49 (Rear)	R02, R66	C43	\$ 0
644	19"	AMG Split 5-Spoke Wheel	225/40 R19 on 7.5 J x 19 H ET 33 (Front) 255/35 R19 on 8.5 J x 19 H ET 52 (Rear)	R01, R66	C43	\$ 850
604	19"	AMG Split 5-Spoke Wheel w/ Black Accents	225/40 R19 on 7.5 J x 19 H ET 33 (Front) 255/35 R19 on 8.5 J x 19 H ET 52 (Rear)	R01, R66	C43	\$ 850
605	19"	AMG Multi-Spoke Wheel	225/40 R19 on 7.5 J x 19 H ET 33 (Front) 255/35 R19 on 8.5 J x 19 H ET 52 (Rear)	R01, R66	C43	\$ 850
606	19"	AMG Multi-Spoke Wheel w/ Black Accents	225/40 R19 on 7.5 J x 19 H ET 33 (Front) 255/35 R19 on 8.5 J x 19 H ET 52 (Rear)	R01, R66	C43	\$ 850
790	18"	AMG Twin 5-Spoke Wheel	245/40 R18 on 9.5 J x 18 ET 38 (Front) 265/40 R18 on 9.5 J x 18 ET 56 (Rear)	R01, B51	C63	\$ 0
793	19"	AMG Twin 5-Spoke Wheel	245/35 R19 on 8.5 J x 19 ET 38 (Front) 265/35 R19 on 9.5 J x 19 ET 56 (Rear)	R01, B51	C63 C63S	\$ 700 \$ 0
770	19"	AMG Forged Cross-Spoke Wheel	245/35 R19 on 8.5 J x 19 ET 38 (Front) 265/35 R19 on 9.5 J x 19 ET 56 (Rear)	R01, B51	C63 C63S	\$ 1,950 \$ 1,250
662	19"	AMG Forged Cross-Spoke Wheel	245/35 R19 on 8.5 J x 19 ET 38 (Front) 265/35 R19 on 9.5 J x 19 ET 56 (Rear)	R01, B51	C63 C63S	\$ 2,450 \$ 1,750



641

Black w/ DINAMICA and Red Topstitching  
*Option price: \$0 (C 43 only)*



641 + 555

Black w/ DINAMICA and Red Topstitching  
w/ AMG Performance Seats  
*Option price: \$2,500 (C 43 only)*  
*Not available with backrest side bolster and  
thigh bolster adjustment*



611

Black w/ DINAMICA  
*Option price: \$0 (C 63 only)*



611 + 555

Black w/ DINAMICA w/ AMG Performance Seats  
*Option price: \$2,500 (C 63 only)*  
*Not available with backrest side bolster and thigh  
bolster adjustment*



# Interior Upholstery – Leather



251  
Black  
Option price: \$1,620  
C43 only



267  
Cranberry Red  
Option price: \$1,620  
C43 only



268  
Crystal Grey  
Option price: \$1,620  
C43 only



241  
Black w/ Red Topstitching  
Option price: \$1,620  
C43 only



241 + 555  
Black w/ Red Topstitching  
w/ AMG Performance Seats  
Option price: \$4,120  
C43 only

# Interior Upholstery – Nappa Leather



801  
Black

*Option price: \$2,590 (C 63)/\$0 (C 63 S)*  
C 63, C 63 S only



851  
Black/Platinum White

*Option price: \$2,590 (C 63)/\$0 (C 63 S)*  
C 63, C 63 S only



857  
Black/Red Pepper

*Option price: \$2,590 (C 63)/\$0 (C 63 S)*  
C 63, C 63 S only



811  
Black w/ Grey Accents

*Option price: \$0*  
C 63 S only



# Interior Upholstery – Nappa Leather



801 + 555

Black w/ AMG Performance Seats

*Option price: \$5,090 (C 63)/\$2,500 (C 63 S)*

*C 63, C 63 S only*



851 + 555

Black/Platinum White w/ AMG Performance Seats

*Option price: \$5,090 (C 63)/\$2,500 (C 63 S)*

*C 63, C 63 S only*



857 + 555

Black/Red Pepper w/ AMG Performance Seats

*Option price: \$5,090 (C 63)/\$2,500 (C 63 S)*

*C 63, C 63 S only*



811 + 555

Black w/ Grey Accents w/ AMG Performance Seats

*Option price: \$2,500*

*C 63 S only*

# Interior Upholstery – *designo* Nappa leather



**C 43:** 975

**C 63 / C 63 S:** 965

Platinum White Pearl/Black

Option price: \$tbd (C 43)/\$tbd (C 63)/ \$tbd (C 63 S)

Requires P62 Package



965

Platinum White Pearl/Black  
w/ AMG Performance Seats

Option price: \$5,600 (C 43 only)

Requires P63 Package



965

Platinum White Pearl/Black  
w/ AMG Performance Seats

Option price: \$5,600 (C 63)/\$3,000 (C 63 S)

Requires P62 Package and 555 AMG Performance Seats



**C 43:** 974

**C 63 / C 63 S:** 964

Saddle Brown/Black

Option price: \$tbd (C 43) / \$tbd (C 63)/ \$tbd (C 63 S)

Requires P87 Package



964

Saddle Brown/Black w/ AMG Performance Seats

Option price: \$5,600

C 43 only

Requires P88 Package



964

Saddle Brown/Black w/ AMG Performance Seats

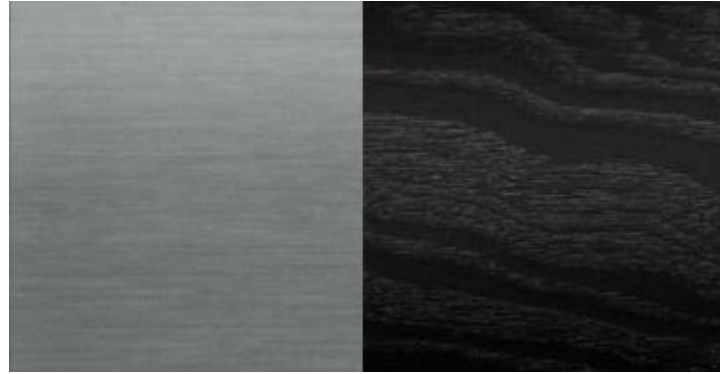
Option price: \$5,600 (C 63)/\$3,000 (C 63 S)

Requires P87 Package and 555 AMG Performance Seats

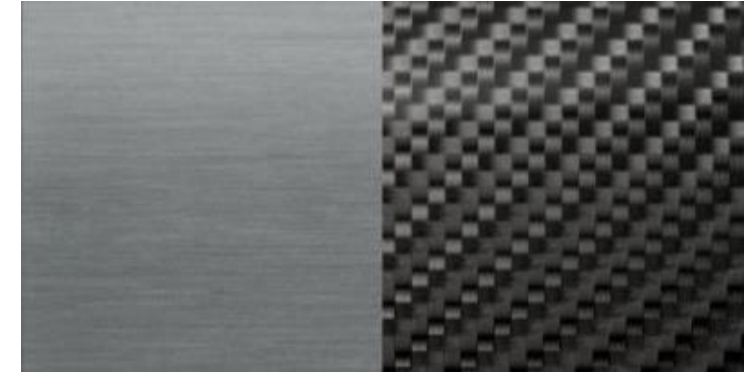
<i>Code</i>	<i>Upholstery</i>	<i>Seats</i>	<i>Floor Mats</i>	<i>Upper Dash/Lower Dash</i>	<i>Seat Belts</i>
641	Black MB-Tex w/ DINAMICA and Red Topstitching	Black w/ Red Topstitching	Black	Black/Black	Red
611	Black MB-Tex w/ DINAMICA	Black	Black	Black/Black	Black
251	Black leather	Black	Black	Black/Black	Black
267	Cranberry Red leather	Cranberry Red	Black	Black/Black	Black
268	Crystal Grey/Black leather	Crystal Grey/Black	Black	Black/Black	Black
241	Black leather w/ Red Topstitching	Black w/ Red Topstitching	Black	Black/Black	Red
801	Black Nappa leather	Black	Black	Black/Black	Black
851	Black/Platinum White Nappa leather	Black/Platinum White	Black	Black/Black	Black (Silver for C 63 S)
857	Black/Red Pepper Nappa leather	Black/Red Pepper	Black	Black/Black	Black
811	Black Nappa leather w/ Grey Accents	Black	Black	Black/Black	Silver
965/975	Platinum White/Black Nappa leather	Platinum White/Black	Black	Black/Black	Black
964/974	Saddle Brown/Black Nappa leather	Saddle Brown/Black	Black	Black/Black	Black



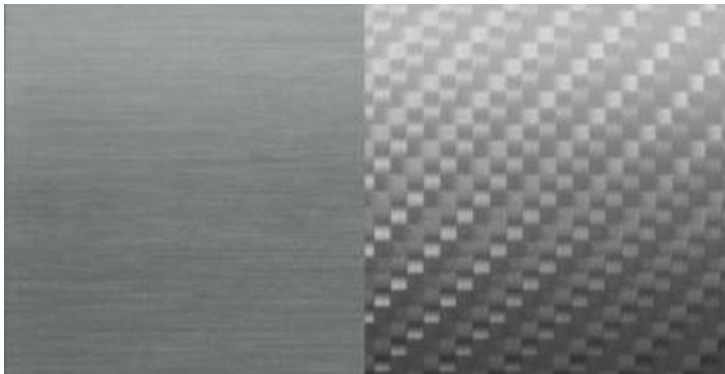
H07  
Dark Brown Linden Wood  
*Option price: \$0*



737  
Natural Grain Black Ash Wood and Aluminum  
*Option price: \$0*



H73  
AMG Carbon Fiber  
*Option price: \$975*



H84  
AMG Silver Fiberglass  
*Option price: \$975*

<i>Code</i>	<i>Packages</i>	<i>Availability</i>	<i>MSRP</i>
P01	<b>Premium Package</b> <i>Standard</i> <ul style="list-style-type: none"> <li>▪ 234 – Blind Spot Assist</li> <li>▪ 536 – SiriusXM® Satellite Radio</li> <li>▪ 611 – Entrance-Lamps in doors</li> <li>▪ 889 – KEYLESS-GO</li> <li>▪ 871 – HANDS-FREE ACCESS</li> <li>▪ 881 – Electronic Trunk Closer</li> </ul>	All Models	\$ 0
319	<b>Advanced Lighting Package</b> <ul style="list-style-type: none"> <li>▪ 640 – Active LED headlamps with active Curve Illumination and cornering lights</li> <li>▪ 608 – Adaptive Highbeam Assist</li> <li>▪ 877 – Ambient lighting</li> <li>▪ U25 – AMG Illuminated door sills</li> </ul>	All Models	\$ XXXX
320	<b>Multimedia Package</b> <i>Not available with Smartphone Integration Package (868)</i> <ul style="list-style-type: none"> <li>▪ 531 – COMAND navigation with Voice Control</li> <li>▪ 448 – Touchpad</li> <li>▪ 8.4” Hi-resolution color screen</li> <li>▪ 502 – Map Updates for 3 Years</li> </ul>	All Models	\$ XXXX
521	<b>AMG Night Package</b> <i>Requires Wheels 661, 604 or 606</i> <ul style="list-style-type: none"> <li>▪ P55 – High-gloss black elements: front splitter, rear diffuser insert, exhaust tailpipes</li> </ul>	C 43	\$ XXXX
521	<b>AMG Night Package</b> <ul style="list-style-type: none"> <li>▪ P60 – High-gloss black elements: A-wing along w/ trim strip on front bumper, side skirts, exterior mirror covers, window trim, trim above rear diffuser and exhaust tailpipes</li> <li>▪ Lamella grille in silver-chrome</li> </ul>	C 63/C 63 S	\$ XXXX

<i>Code</i>	<i>Packages</i>	<i>Availability</i>	<i>MSRP</i>
B28	<b>AMG Exterior Carbon-Fiber Package</b> <ul style="list-style-type: none"> <li>Exterior mirror housings and trunk lid spoiler in carbon fiber</li> </ul>	All Models	\$ XXXX
868	<b>Smartphone Integration Package (<i>Delayed Availability</i>)</b> <i>Not available with Multimedia Package (320)</i> <ul style="list-style-type: none"> <li>14U – Smartphone Integration</li> <li>16U – Apple CarPlay™</li> <li>17U – Android Auto</li> </ul>	All Models	\$ XXXX
996	<b>Parking Assist Package</b> <ul style="list-style-type: none"> <li>235 – PARKTRONIC with Active Parking Assist</li> <li>501 – Surround View System</li> </ul>	All Models	\$ XXXX
997	<b>Driver Assistance Package</b> <i>Requires Multimedia Package (320)</i> <ul style="list-style-type: none"> <li>23P Driver Assistance Package Plus</li> <li>233 – DISTRONIC PLUS with Steering Assist and Stop &amp; Go Pilot</li> <li>237 – Active Blind Spot Assist</li> <li>238 – Active Lane Keeping Assist</li> <li>253 – PRE-SAFE® PLUS</li> <li>268 – BAS PLUS with Cross-Traffic Assist</li> <li>300 – PRE-SAFE® Brake with Pedestrian Recognition</li> <li>513 – Speed Limit Assist</li> </ul>	All Models	\$ XXXX



<i>Code</i>	<i>Packages</i>	<i>Availability</i>	<i>MSRP</i>
P62	<p><b><i>designo</i> Platinum White Pearl/Black Nappa leather</b>                      Available with Natural Grain Black Ash Wood and Aluminum (737), AMG Carbon Fiber (H73 - \$975) or AMG Silver Fiberglass (H84 - \$975) trims</p> <ul style="list-style-type: none"> <li>▪ 975 - <i>designo</i> Platinum White Pearl / Black Two-Tone Nappa leather seats in diamond quilt design, with white contrast stitching, and <i>designo</i> badge on backrests of front and rear seats</li> <li>▪ Center door panels in <i>designo</i> Platinum White Pearl Nappa leather and center console armrests in <i>designo</i> Black Nappa leather</li> </ul>	C 43	\$ tbd
P62	<p><b><i>designo</i> AMG Platinum White Pearl/Black Nappa leather</b>                      Available with Natural Grain Black Ash Wood and Aluminum (737), AMG Carbon Fiber (H73 - \$975) or AMG Silver Fiberglass (H84 - \$975) trims</p> <ul style="list-style-type: none"> <li>▪ 965 - <i>designo</i> AMG Platinum White Pearl / Black Two-Tone Nappa leather seats in diamond quilt design, with white contrast topstitching, and AMG badge on backrests of front and rear seats</li> <li>▪ Door panels in <i>designo</i> Platinum White Pearl Nappa leather and armrests in <i>designo</i> Black Nappa leather</li> <li>▪ Option: 555 - AMG Performance seats (+\$2,500)</li> </ul>	C 63 C 63 S	\$ tbd \$ tbd
P63	<p><b><i>designo</i> Platinum White Pearl /Black Nappa leather with AMG Performance Seats</b>                      Available with Natural Grain Black Ash Wood and Aluminum (737), AMG Carbon Fiber (H73 - \$975) or AMG Silver Fiberglass (H84 - \$975) trims</p> <ul style="list-style-type: none"> <li>▪ 965 - <i>designo</i> AMG Platinum White Pearl / Black Two-Tone Nappa leather seats in diamond quilt design, with white contrast stitching, and AMG badge on backrests of front and rear seats</li> <li>▪ Center door panels in <i>designo</i> Platinum White Pearl Nappa leather and center console armrests in <i>designo</i> Black Nappa leather</li> <li>▪ 555 - AMG Performance seats</li> </ul>	C 43	\$ tbd

<i>Code</i>	<i>Packages</i>	<i>Availability</i>	<i>MSRP</i>
P87	<p><b><i>designo</i> Saddle Brown / Black Nappa leather</b></p> <p><i>Available with Dark Brown Linden Wood (H07), AMG Carbon Fiber (H73 - \$975) or AMG Silver Fiberglass (H84 - \$975) trims</i></p> <ul style="list-style-type: none"> <li>▪ 974 - <i>designo</i> Saddle Brown Nappa leather seats in diamond quilt design, with beige contrast stitching and piping on seat and headrests, and <i>designo</i> badge on backrests of front and rear seats</li> <li>▪ Center door panels and armrests in <i>designo</i> Saddle Brown Nappa leather</li> </ul>	C 43	\$ tbd
P87	<p><b><i>designo</i> AMG Saddle Brown / Black Nappa leather</b></p> <p><i>Available with Dark Brown Linden Wood (H07), AMG Carbon Fiber (H73 - \$975) or AMG Silver Fiberglass (H84 - \$975) trims</i></p> <ul style="list-style-type: none"> <li>▪ 964 - <i>designo</i> AMG Saddle Brown Nappa leather seats in diamond quilt design, with beige contrast stitching and piping on seat and headrests, and AMG badge on backrests of front and rear seats</li> <li>▪ Door panels and armrests in <i>designo</i> Saddle Brown Nappa leather</li> <li>▪ Option: 555 - AMG Performance seats (+\$2,500)</li> </ul>	C 63 C 63 S	\$ tbd \$ tbd
P88	<p><b><i>designo</i> Saddle Brown / Black Nappa leather with AMG Performance Seats</b></p> <p><i>Available with Dark Brown Linden Wood (H07), AMG Carbon Fiber (H73 - \$975) or AMG Silver Fiberglass (H84 - \$975) trims</i></p> <ul style="list-style-type: none"> <li>▪ 964 - <i>designo</i> AMG Saddle Brown Nappa leather seats in diamond quilt design, with beige contrast stitching and piping on seat and headrests, and AMG badge on backrests of front and rear seats</li> <li>▪ Center door panels and armrests in <i>designo</i> Saddle Brown Nappa leather</li> <li>▪ 555 - AMG Performance seats</li> </ul>	C 43	\$ tbd

# Stand-Alone Options

<i>Code</i>	<i>Options</i>	<i>Availability</i>	<i>MSRP</i>
313	Manual Rear Side-Window Sunshades	All Models	\$ tbd
413	Panorama roof	All Models	\$ tbd
463	Head-Up Display w/ AMG specific content	All Models	\$ tbd
540	Power Rear-window Sunshade	All Models	\$ tbd
U78	AMG Performance Exhaust System	All Models	\$ 1,250
U93	AMG Carbon Fiber Trunk Lid Spoiler	All Models	\$ 700
255	AMG Track Pace Application <i>Requires Multimedia Package (320)</i>	C43/C63 C63 S	\$ tbd \$ 0
401	Heated and ventilated front seats C 43: <i>Requires leather or designo Nappa leather upholstery</i> <i>Not available with AMG Performance seats (555).</i> C 63/C 63 S: <i>Requires Nappa leather or designo Nappa leather upholstery (Nappa leather upholstery is standard on C63 S)</i> <i>Not available with AMG Performance seats (555).</i>	C 43  C 63/C 63 S	\$ tbd  \$ tbd
2xx	Leather Upholstery	C43	\$ tbd
810	Burmester® Premium Sound System	C43	\$ tbd
632	LED Headlamps	C43	\$ tbd
281	AMG Nappa/DINAMICA Performance Steering Wheel	C43/C63	\$ 500
U17	Replace Red or Silver Seat Belts with Black	C43/C63 S	\$ 0
Y05	Red Seat Belts <i>C43: standard with 641 and 241, C63: only with 801 and 611, C63 S: only with 801 upholsteries</i>	C63/C63 S	\$ 500

# Stand-Alone Options

<i>Code</i>	<i>Options</i>	<i>Availability</i>	<i>MSRP</i>
8xx	Nappa Leather Upholstery	C63 C63 S	\$ tbd \$ 0
B07	AMG Ceramic Composite Front Braking System	C63 S	\$ 5,450
P21	Air Balance Cabin Air Purification and Fragrance System	All Models	\$ XXXX

<i>Code</i>	<i>VPC Installed Accessories</i>	<i>Availability</i>	<i>MSRP</i>
03A	SD-Card for GARMIN® map pilot navigation <i>Not available with Multimedia Package (320)</i>	All Models	\$ XXXX
00A	Illuminated Star <i>Not with Driver Assistance Package (997)</i>	All Models	\$ XXXX
068	Wheel Locking Bolts	All Models	\$ XXXX
070	Chrome door handle inserts	All Models	\$ XXXX
15A	LED logo projectors	All Models	\$ XXXX

## *Steering Wheels*



**Sport Steering Wheel (277)**

*Standard on C 43*

- The 12 ergonomic control buttons on the leather multifunction sport steering wheel with flattened bottom section and perforated side grips enable operation of the display menus in the instrument cluster and the Audio/COMAND display on the left.
- On the right, the driver can control the volume of audio devices, telephone and navigation system. Silver-colored aluminum shift paddles emphasize the sporty appeal.



**AMG Performance Steering Wheel (300#)**

*Standard on C 63*

- The AMG Performance steering wheel in Nappa leather with perforated side grips features AMG-specific shift paddles "AMG" badge underscore the sporty character.



**AMG Performance Steering Wheel w/ DINAMICA inserts (281)**

*Standard on C 63 S, Optional on C 43 and C 63*

- For even better grip and performance feel, the grip area is finished in DINAMICA.
- Colored 12 o'clock marking available on C 63 S only. Red Pepper nappa upholstery (857) comes with red marking, Black nappa leather w/ grey accents (811) and Platinum White/black nappa leather (851) come with silver marking. Black Nappa Leather (801) comes with black marking.

## Brakes



### Sports Braking System (307#)

*Standard on C 43 only*

4-piston front and single piston rear calipers

- Front axle: brake disks measuring 14.2 x 1.4 inch, internally ventilated and perforated, with 4-piston aluminum fixed caliper and black "AMG" lettering
- Rear axle: brake disks measuring 12.6 x 0.9 inch, internally ventilated, with 1-piston floating caliper with brake caliper-integrated electric parking brake
- Painted in silver brake calipers



### AMG High-Performance Braking System (B06)

*Standard on C 63 only*

6-piston front and single piston rear calipers

- Front axle: integral brake discs measuring 14.2 x 1.4 inch, internally ventilated and perforated with 6-piston fixed caliper
- Rear axle: brake discs measuring 14.2 x 1.0 inch, internally ventilated and perforated with 1-piston floating caliper
- grey-painted brake calipers with white AMG lettering
- Painted in grey brake calipers



### AMG High-Performance Composite Braking System (U70)

*Standard on C 63 S only*

6-piston front and single piston rear calipers

- Front axle: Compound brake disc measuring 15.4 x 1.4 inch, internally ventilated and perforated with 6-piston fixed caliper
- Rear axle: Brake discs measuring 14.2 x 1.0 inch, internally ventilated and perforated with 1-piston floating caliper
- Increased fade resistance and reduced thermal deformation of brake discs
- Painted in red brake calipers



### AMG High-Performance Ceramic Composite Braking System (B07)

*Option price: \$5,450 (C 63 S only)*

6-piston front and single piston rear calipers

- Front axle: compound ceramic disc with a diameter of 15.8 x 1.5 inch, internally ventilated and perforated, with 6-piston fixed caliper
- Rear axle: integral brake disc with a diameter of 14.1 x 1.0 inch, internally ventilated, perforated and grooved with 1-piston combined floating brake caliper
- Bronze brake calipers with 30% weight saving compared with standard brake discs

## Seat Belt Differentiation

AMG C 63	611 MB-Tex/ Dinamica	801 Black leather	857 Red Pepper/ Black leather	851 Platinum White/ Black	P62 <i>designo</i> Platinum White/Black	P87 <i>designo</i> Saddle Brown/ Black
Y05 Red seat belts	O	O	-	-	-	-
Y04 Silver seat belts	-	-	-	-	-	-
Black seat belts	S	S	S	S	S	S
AMG C 63 S	801 Black leather	811 Black w/ Grey Accents leather	857 Red Pepper/ Black leather	851 Platinum White/Black	P62 <i>designo</i> Platinum White/Black	P87 <i>designo</i> Saddle Brown/Black
Y05 Red seat belts	O	O	-	O	-	-
Y04 Silver seat belts	-	S	-	S	-	-
U17 Black seat belts	S	O (Must select: U17 – C63 S black seat belt)	S	S (Must select: U17 – C63 S black seat belt)	S	S



Y05 – Red seat belts  
C43 – Standard w/ 641 & 241 upholsteries,  
Not available w/ other upholsteries  
C63/C63 S – \$500



Y04 – Silver seat belts  
C43/63 – Not available  
C63 S – No cost

## AMG Track Pace App for Apple iPhone® (255)



### AMG Track Pace App for Apple iPhone® (255)

Requires Multimedia Package (320)

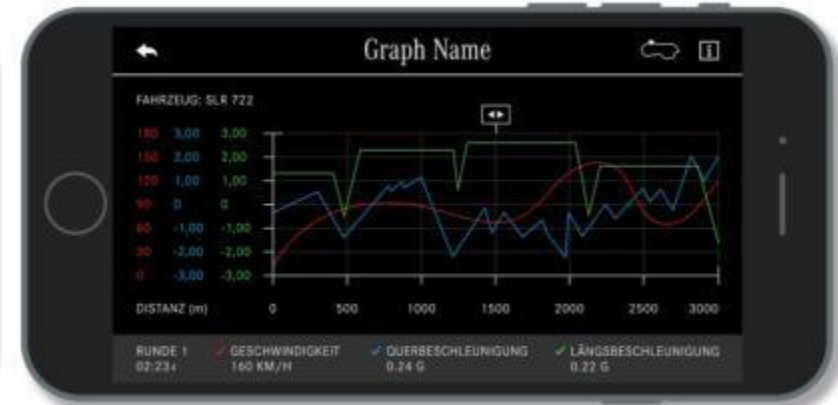
Option price for C 43 & C 63: \$tbd

Option price for C 63 S: \$0

With the "AMG Track Pace" app, a smartphone can be turned into a personal racing engineer. This enables lap/sector times or even videos to be recorded and analyzed. Another attractive feature is the option to exchange data with other AMG drivers e.g. via social networks.

Overview of the AMG Track Pace app:

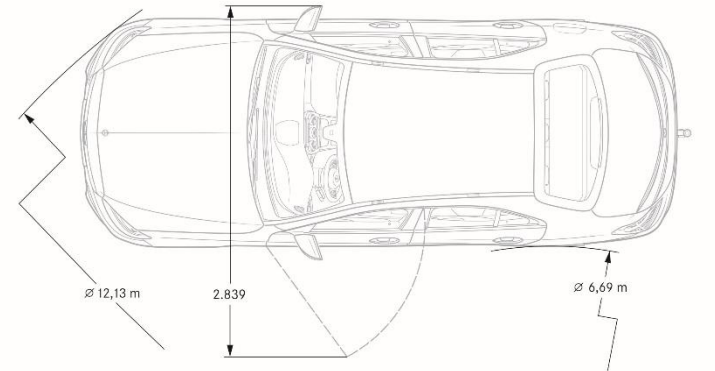
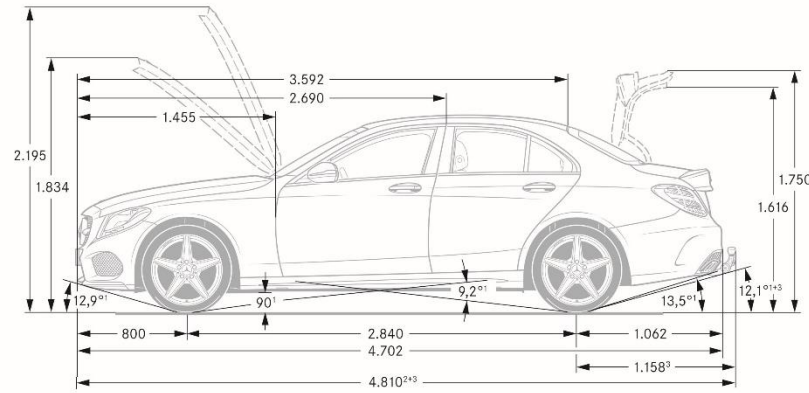
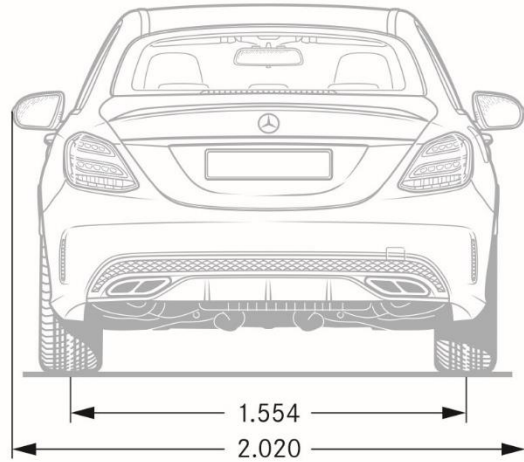
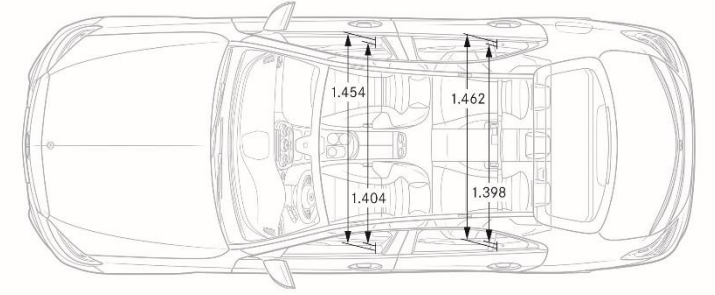
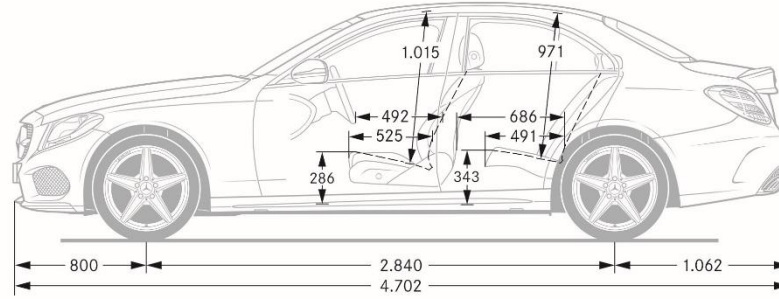
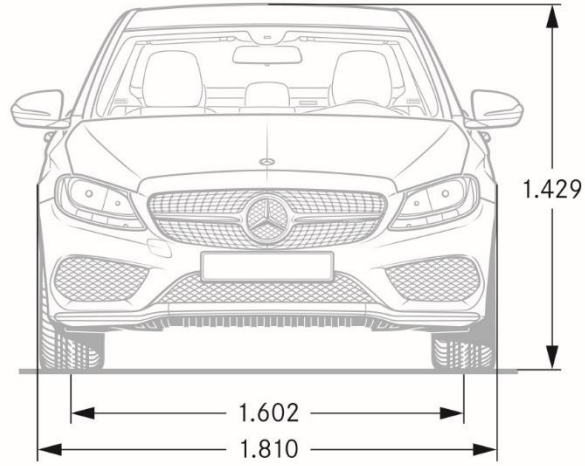
- Stores vehicle-specific data (e.g. speed, acceleration) as well as lap and sector times
- Video recordings via smartphone/GoPro are also possible
- Driving ability can be analyzed and improved in a targeted manner
- Connection via WLAN
- Exchange data with other AMG drivers via social networks such as Facebook (Share function) or the AMG Private Lounge





	<i>C43</i>	<i>C63</i>	<i>C63S</i>
Engine Configuration	AMG-Enhanced 3.0L V6 Biturbo	Handcrafted AMG 4.0L V8 Biturbo	Handcrafted AMG 4.0L V8 Biturbo
Power (hp)	362 @ 5,500 – 6,000 rpm	469 @ 5,500 – 6,250 rpm	503 @ 5,500 – 6,250 rpm
Torque (lb-ft)	384 @ 2,000 – 4,200 rpm	479 @ 1,750 – 4,500 rpm	516 @ 1,750 – 4,500 rpm
Displacement (cc)	2.996	3.982	3.982
Acceleration 0-60 mph (sec)	4.6	4.0	3.9
Fuel Economy (Cty/Hwy/Comb)	20/28/23	18/25/21	18/24/20
Top Speed (mph)	130	155	180
Fuel Requirement (Octane)	91	91	91
# Valves per cylinder	4	4	4
Compression	10.5 : 1	10.5 : 1	10.5 : 1
Transmission	AMG-enhanced 9G-TRONIC	7-speed AMG SPEEDSHIFT® MCT	7-speed AMG SPEEDSHIFT® MCT
Transmission Speeds	9	7	7
Drive Configuration	AMG Performance 4MATIC	Rear Wheel Drive	Rear Wheel Drive
Standard Tire Type	All Season	Summer High-Performance	Summer High-Performance
Fuel Tank Size (gallons)	17.4	17.4	17.4
Trunk Size (cubic feet)	12.6	12.6	12.6
Curb Weight (lbs)	3,759	3,829	3,856
Vehicle Length (in.)	185	187	187
Vehicle Width w/ mirrors (in.)	79.5	79.5	79.5
Vehicle Width w/o mirrors (in.)	71.3	72.4	72.4
Vehicle Height (in.)	56.3	56.1	56.1
Wheelbase	111.8	111.8	111.8
Track Width Front/Rear (in.)	63/61	63/61	63/61
Coefficient of Drag	0.32	0.32	0.33

# Specifications\* – C 43



# Specifications\* – C 63/C 63 S

