

C-Class Coupe



C205

Model Year 2019

Pricing Preliminary

Mercedes-Benz

The best or nothing.

Mercedes-Benz USA



C-Class Coupe MY19



Important note

The information presented in this guide is based on the most current information available and is intended for internal use only. Mercedes-Benz reserves the right to make changes at any time, without notice, to colors, materials, equipment, special specifications and models.

Pricing may not yet be finalized for some models or options.

Due to variances among monitors and printers the colors that appear on your screen and printouts may not be exact.

For illustrative purposes, some images may show vehicles with European Specification.

Revision History

<i>Date</i>	<i>Changes</i>
4/1/2018	Initial publication.



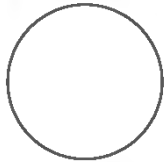
C300 & C300 4MATIC



Models



What's new



Standard Equipment



Exterior Paint Colors



Wheels



Interior Upholstery



Interior Trims



Option Packages



Stand-Alone Options



Options in Detail



Specifications



C 300 (205.383)

- MSRP \$TBD
- 2.0L inline-4 turbo engine
- 9-Speed Automatic Transmission
- 255 hp
- 273 lb-ft
- 5.9 sec (0-60 mph)
- Launch date: Fall 2018



C 300 4MATIC (205.384)

- MSRP \$TBD
- 2.0L inline-4 turbo engine
- 9-Speed Automatic Transmission
- 255 hp
- 273 lb-ft
- 5.9 sec (0-60 mph)
- Launch date: Fall 2018





Standard Equipment

- Smartphone Integration (Apple CarPlay™ & Android Auto) becomes standard
- 10.25" Center Screen becomes standard
- Updated steering wheel w/ haptic feedback touchpads and cruise control buttons
- New key design
- Power output increases +14hp to 255 hp
- Redesigned LED Headlamps and Tail lamps

Optional Equipment

- 19" Twin 5-Spoke Wheels (R90) replace 19" Twin 5-Spoke Wheels (R17)
- 19" 10-Spoke Wheels (R09) replace 19" 10-Spoke Wheels (R97)
- 18" AMG 5-Spoke Wheels (RSJ) replace 18" AMG 5-Spoke Wheels (782)
- 18" AMG 5-Spoke Wheels w/ Black Accents (RSK) replace 18" AMG 5-Spoke Wheels w/ Black Accents (792)
- 12.3" Digital Instrument Cluster (464) now available
- 64-Color Ambient Lighting & Illuminated Door Sills (877+U25) now available as a stand-alone
- 19" AMG Twin 5-Spoke Wheels w/ Black Accents available w/ AMG Line
- Natural Grain Grey Oak Wood Trim (H31) replaces Natural Grain Brown Ash Wood (H09)
- Natural Grain Lined Walnut Wood Center Console & Brushed Aluminum Door Trim (H33+739) now available
- Magma Grey MB-Tex (138) and Magma Grey Leather (228) replace Crystal Grey upholstery
- Inductive Wireless Charging and NFC Pairing (897) becomes a standalone option

Paints

- Graphite Grey Metallic (831) replaces Diamond Silver Metallic
- Mojave Silver Metallic (859) replaces Dakota Brown Metallic



Exterior - 2018 C300 (A205) vs 2019 C300 (A205)



*AMG Line Models shown



Interior - 2018 C300 (A205) vs 2019 C300 (A205)





Smartphone Integration for Apple CarPlay™ and Android Auto



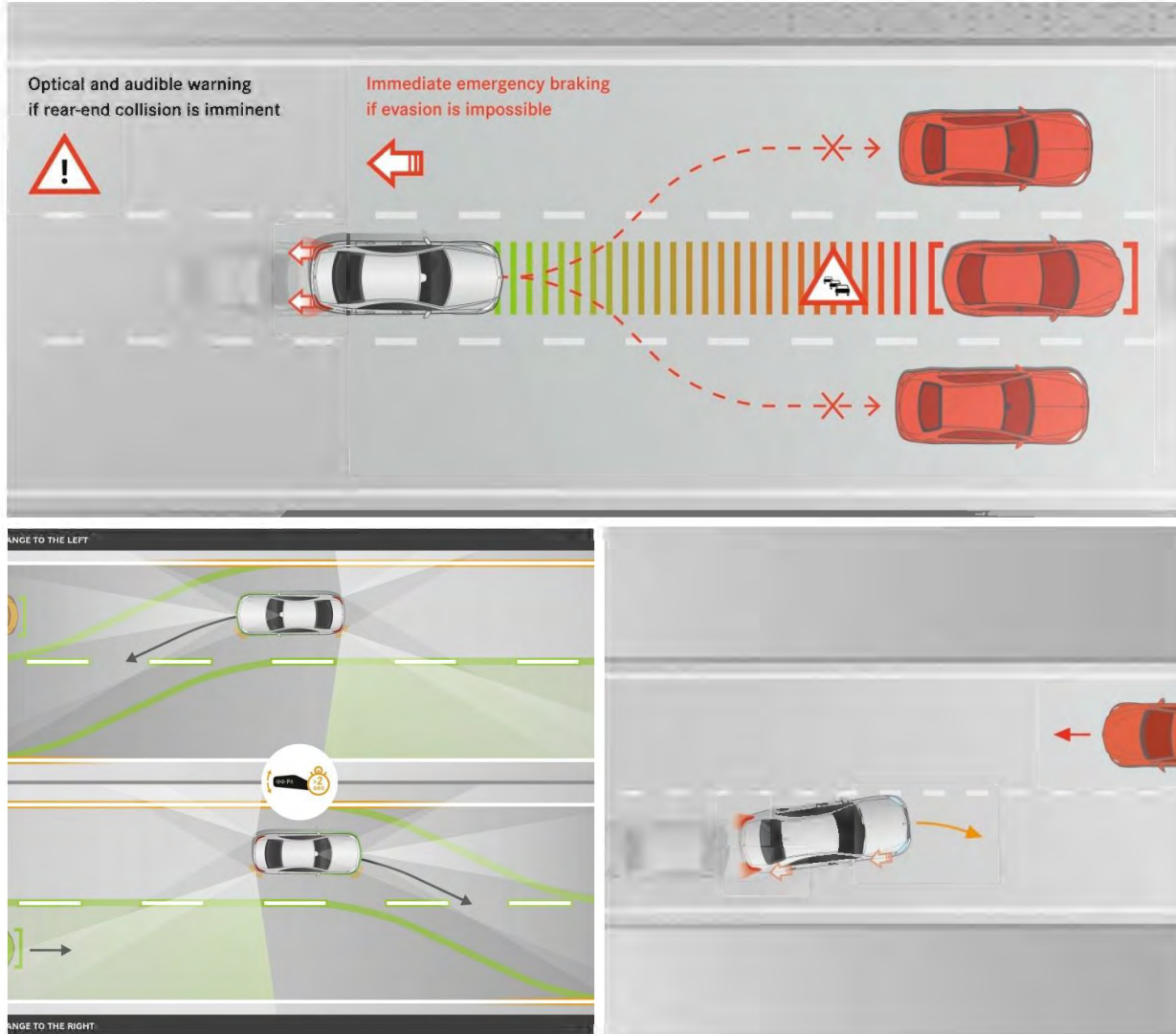
Smartphone Integration - Apple CarPlay and Android Auto *Standard*

Smartphone Integration makes safe use of mobile devices possible while on the move. The connection to the smartphone allows access to up-to-date software and data such as navigation and traffic information, media (Streaming Media and IP Radio) as well as contact data and messaging. To prevent driver distraction while on the move, there is no complete duplication of smartphone content.

A data connection via the mobile phone is necessary for certain functions. Corresponding charges may be incurred depending on the mobile phone contract. The functions supported also depend on the smartphone. The information provided by the smartphone manufacturer will also indicate the compatible devices and functions.



Driver Assistance Systems



Driver Assistance Package (997)

Option price: \$1,700

- **Active Distance Assist DISTRONIC®** is able to follow a vehicle in front at a pre-selected distance at wider range of speeds
- **Active Steering Assist** functions at a wider range of speeds and can now actively intervene even if road lines are unclear or non-existent at certain speeds; can now function in curves with a tighter radius
- **Active Emergency Stop Assist** brakes the vehicle to a standstill in its lane if it detects that the driver is no longer actively driving the vehicle while it is on the move with Active Distance Assist DISTRONIC and Active Steering Assist engaged. Can now unlock the doors when the vehicle is stationary to allow first aid responders immediate access to the vehicle's interior. With available mbrace® Secure, the system simultaneously makes an emergency call
- **Active Lane Change Assist** is a radar-and-camera-based system that aids the driver when changing lanes. When a turn is indicated, this feature will aid with steering into the adjacent lane if it detects the lane is empty
- **Active Speed Limit Assist** can adapt vehicle speed to identified speed limits and can now adjust preemptively when speed limits are going to change
- **Route-Based Speed Adaptation** the vehicle is now able to reduce the speed in anticipatory mode by referencing the COMAND map data ahead of bends, junctions, roundabouts, toll booths, and exit roads.
- **Active Brake Assist with Cross-Traffic Function**
- **Evasive Steering Assist** adds calculated steering torque to aid in steering wheel movement when a driver deliberately or instinctively performs an evasive maneuver around a pedestrian
- **Active Blind Spot Assist** is active at a wider range of speeds and informs the driver to help avoid an imminent side impact by single-sided braking
- **Active Lane Keeping Assist** is active now at a wider range of speeds



LED Headlamps (632) & LED Intelligent Light System (640)



LED Headlamps (632)

Standard

- Redesigned LED headlamps are now standard equipment improving the look of the standard C-Class as well as providing increased safety due to brighter and higher quality headlamps.



LED Intelligent Light System with Ultra Wide Beam (640)

Optional

- Redesigned headlamp incorporates updated technology and look for the C-Class
- Ultra Wide Beam produce light at an increased width for maximum illumination of the road and surround area
- Adaptive Highbeam Assist is part of the LED Intelligent Light System and allows drivers to drive with highbeams activated at all times. System will automatically deactivate highbeams in the presence of oncoming traffic so as not to blind oncoming drivers.





Performance & Handling

- 2.0L inline-4 turbo engine
- 9G-TRONIC 9-Speed Automatic Transmission
- Multi-Link Front Suspension
- Multi-Link Independent Rear Suspension
- DYNAMIC SELECT
- All-Season Tires
- ECO Start/Stop Technology
- 18" Wheels
- Sport-tuned Suspension
- Adaptive Braking Technology

Comfort & Convenience

- KEYLESS START
- Audio System
- Two USB Ports
- Bluetooth® Technology (for Handsfree Phone Use/Audio Streaming)
- HD Radio
- Power Front Seats with Driver Memory
- 4-way Lumbar Support
- Power Tilt & Telescoping Steering Column
- Electronic Cruise Control
- Power Windows with Express Up and Down
- Automatic Headlamps with Twilight Sensor & Locator Lighting
- Multifunction leather steering wheel w/ Haptic Touchpads
- Smartphone Integration
- Central Controller with 10.25" high-mounted tablet-style color display
- Pre-wiring for GARMIN® Map Pilot
- Dual-zone Automatic Climate Control
- Garage Door Opener
- Intermittent Wipers with Rain Sensor
- Automatic Seatbelt Extender
- Panorama Sunroof
- LED Headlamps and taillights
- Auto-Dimming Driver & Rearview Mirror
- Front and Rear Cupholders
- Split-Folding Rear Seats (40/20/40)
- Wood Trim and Analog Clock

Safety & Security

- New Vehicle 4 Year/50,000 Mile Warranty
- 24h Roadside Assistance Program
- 3-point Seat Belt with Pretensioners & Dual-Stage Belt Force Limiter
- Front Dual-Stage Airbags
- Front and Rear Side Window Airbags
- Front Side Airbags
- Driver & Passenger Kneebags
- Rearview Camera
- ISOFIX Anchor and Tether System
- ATTENTION ASSIST Driver Drowsiness Monitor
- COLLISION PREVENTION ASSIST PLUS (CPA+)
- PRE-SAFE
- Smart Key with Panic Button
- Tire Pressure Monitoring System
- Anti-theft Alarm System

Exterior Paint Colors



Non-metallic Paints



040
Black
Option Price: \$0



149
Polar White
Option Price: \$0

Metallic Paints



197
Obsidian Black
Option Price: \$720



775
Iridium Silver
Option Price: \$720



831
Graphite Grey
Option Price: \$720



859
Mojave Silver
Option Price: \$720



890
Lunar Blue
Option Price: \$720



896
Brilliant Blue
Option Price: \$720



992
Selenite Grey
Option Price: \$720

designo Paints *designo* Paints



996
Cardinal Red Metallic
Option Price: \$1,080



799
Diamond White Metallic
Option Price: \$1,515



297
Selenite Grey Magno
Option Price: \$2,020



22R
18" Split 5-Spoke
R02, R66
Option price: \$0



R86
18" Multi-Spoke
R02, R66
Option price: \$500



R90
19" Twin 5-Spoke
R01, R66
Option price: \$500



R09
19" 10-Spoke
R01, R66
Option price: \$500



RSJ
18" AMG 5-Spoke
R02, R66
Option price: \$0
Requires AMG Line (321)



RSK
18" AMG 5-Spoke w/ Black
Accents
R02, R66
Option price: \$0
Requires Night Package (521)



788
19" AMG Multi-Spoke
R01, R66
Option price: \$500
Requires AMG Line (321)



665
19" AMG Multi-Spoke w/ Black
Accents
R01, R66
Option price: \$500
Requires Night Package (521)



604
19" AMG Twin 5-Spoke w/
Black Accents
R01, R66
Option price: \$850
Requires Night Package (521)





<i>Code</i>	<i>Wheel Size</i>	<i>Description</i>	<i>Wheel Dimensions</i>	<i>Mobility</i>	<i>MSRP</i>
22R	18"	Split 5-Spoke Wheels	225/45 R 18 on 7.5 J x 18 ET 44 (Front) 245/40 R 18 on 8.5 J x 18 ET 56 (Rear)	R02, R66	\$ 0
R86	18"	Multi-Spoke Wheels	225/45 R 18 on 7.5 J x 18 ET 49 (Front) 245/40 R 18 on 8.5 J x 18 ET 56 (Rear)	R02, R66	\$ TBD
R90	19"	Twin 5-Spoke Wheels	225/40 R 19 on 7.5 J x 19 ET44 (Front) 245/35 R 19 on 8.5 J x 19 ET 56.5 (Rear)	R01, R66	\$ 500
R09	19"	10-Spoke Wheels	225/40 R 19 on 7.5 J x 19 ET44 (Front) 245/35 R 19 on 8.5 J x 19 ET56.5 (Rear)	R01, R66	\$ 500
RSJ	18"	AMG 5-Spoke Wheels	225/45 R 18 on 7.5 J x 18 ET 44 (Front) 245/40 R 18 on 8.5 J x 18 ET 49 (Rear)	R02, R66	\$ 0 <i>Requires AMG Line (321)</i>
RSK	18"	AMG 5-Spoke Wheels, Black	225/45 R 18 on 7.5 J x 18 ET 44 (Front) 245/40 R 18 on 8.5 J x 18 ET 49 (Rear)	R02, R66	\$ 0 <i>Requires Night Package (521)</i>
788	19"	AMG Multi-Spoke Wheels	225/40 R 19 on 7.5 J x 19 ET 44 (Front) 255/35 R 19 on 8.5 J x 19 ET 52 (Rear)	R01, R66	\$ 500 <i>Requires AMG Line (321)</i>
665	19"	AMG Multi-Spoke Wheels, Black	225/40 R 19 on 7.5 J x 19 ET 44 (Front) 255/35 R 19 on 8.5 J x 19 ET 52 (Rear)	R01, R66	\$ 500 <i>Requires Night Package (521)</i>
604	19"	AMG Twin 5-Spoke Wheels, Black	225/40 R 19 on 7.5 J x 19 ET 44 (Front) 255/35 R 19 on 8.5 J x 19 ET 49 (Rear)	R01, R66	\$ 850 <i>Requires Night Package (521)</i>



101
Black
Option price: \$0



105
Silk Beige/Black
Option price: \$0



138
Magma Grey/Black
Option price: \$0



124
Saddle Brown/Black
Option price: \$0

Interior Upholstery – Leather



201
Black

Requires Leather Seating Package (318)



228

Magma Grey/Black

Requires Leather Seating Package (318)



224

Saddle Brown/Black

Requires Leather Seating Package (318)



225

Porcelain / Black

Requires Leather Seating Package (318)



227

Cranberry Red/Black

Requires Leather Seating Package (318)



Interior Upholstery – *designo* Nappa leather



967

designo Bengal Red Nappa leather

Option price: \$TBA

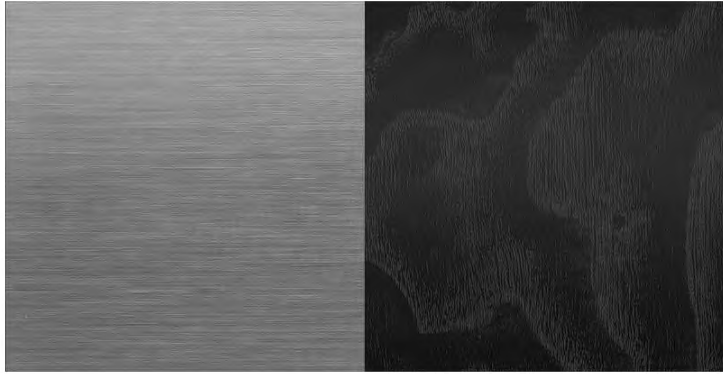
Requires *designo* Package (P62)





<i>Code</i>	<i>Upholstery</i>	<i>Seats</i>	<i>Floor Mats</i>	<i>Upper Dash/Lower Dash</i>	<i>Seat Belts</i>	<i>Steering Wheel</i>	<i>Headliner</i>
101	Black MB-Tex	Black	Black	Black/Black	Black	Black	Crystal Grey*
105	Silk Beige/Black MB-Tex	Silk Beige	Beige	Black/Silk Beige	Beige	Black	Porcelain*
138	Magma Grey/Black MB-Tex	Magma Grey	Black	Black/ Magma Grey	Grey	Black	Crystal Grey*
124	Saddle Brown/Black MB-Tex	Saddle Brown	Black	Black/Black	Black	Black	Black
201	Black leather	Black	Black	Black/Black	Black	Black	Crystal Grey*
228	Magma Grey leather	Magma Grey	Black	Black/Magma Grey	Grey	Black	Porcelain*
224	Saddle Brown/Black leather	Saddle Brown	Black	Black/Black	Black	Black	Black
225	Porcelain/Black leather	Porcelain	Black	Black/Black	Black	Black	Black
227	Cranberry Red leather	Cranberry Red	Black	Black/Black	Black	Black	Black
967	<i>designo</i> Bengal Red Nappa leather	Bengal Red	Black w/ Red Stitching	Black/Black	Black	Black	Black

Replaced by Black Headliner when equipped with AMG Line (321).



737 + 739

Natural Grain Black Ash Wood & Aluminum

Option price: \$0

*Requires AMG Line (321) or **designo** Package (P62)*

Includes analog clock in dash



H07

Dark Brown Linden Wood

Option price: \$0

Includes analog clock in dash



H31

Natural Grain Grey Oak

Option price: \$0

Includes analog clock in dash



H33

Natural Grain Line Walnut Wood & Aluminum

Option price: \$0

Includes analog clock in dash

Option Packages



<i>Code</i>	<i>Packages</i>	<i>Availability</i>	<i>MSRP</i>
P01	Premium Package <ul style="list-style-type: none">▪ 234 – Blind Spot Assist▪ 500 – Power Folding Mirrors▪ 536 – SiriusXM® Satellite Radio▪ 810 – Burmester® Surround Sound System▪ 871 – HANDS-FREE ACCESS▪ 881 – Electronic Trunk Closer▪ 889 – KEYLESS-GO	All Models	\$ 1,900
318	Leather Seating Package <ul style="list-style-type: none">▪ 2XX – Leather Upholstery▪ 242 – 3-Position Memory for Passenger Seat	All Models	\$ 1,950
319	Exterior Lighting Package <i>Requires Premium Package (P01)</i> <ul style="list-style-type: none">▪ 640 – LED Intelligent Light System▪ 608 – Adaptive Highbeam Assist	All Models	\$ 1,090
320	Multimedia Package <i>Requires Premium Package (P01)</i> <ul style="list-style-type: none">▪ 531 – COMAND navigation▪ 448 – Touchpad▪ 502 – Map Updates for 3 Years	All Models	\$ TBD



<i>Code</i>	<i>Packages</i>	<i>Availability</i>	<i>MSRP</i>
996	Parking Assist Package <ul style="list-style-type: none"> ▪ 235 – PARKTRONIC with Active Parking Assist ▪ 501 – Surround View System 	All Models	\$ 1,090
997	Driver Assistance Package <i>Requires Premium Package (P01) and Multimedia Package (320)</i> <ul style="list-style-type: none"> ▪ Active Distance Assist DISTRONIC® ▪ Active Steering Assist ▪ Evasive Steering Assist ▪ Active Lane Change Assist ▪ Active Lane Keeping Assist ▪ Active Blind Spot Assist ▪ Active Brake Assist w/ Cross-Traffic Function ▪ Active Emergency Stop Assist ▪ Active Speed Limit Assist ▪ Route-Based Speed Adaptation 	All Models	\$ 3,600

Option Packages



<i>Code</i>	<i>Packages</i>	<i>Availability</i>	<i>MSRP</i>
321	<p>AMG Line</p> <p><i>When ordered with Heated Steering Wheel (443), the Flat-bottom Steering Wheel is replaced with a round steering wheel</i></p> <ul style="list-style-type: none"> ▪ 772 – AMG Body Styling ▪ P29 – AMG Line Interior ▪ P31 – AMG Line Exterior ▪ 51U – Black Fabric Headliner ▪ Diamond Grille in chrome ▪ Flat-bottom Steering Wheel ▪ Front brakes with perforated discs and Mercedes-Benz lettered calipers ▪ Aluminum Pedals ▪ AMG Floor Mats 	All Models	\$ 1,675
521	<p>Night Package</p> <p><i>Requires AMG Line (321)</i></p> <ul style="list-style-type: none"> ▪ P55 - High-Gloss black elements: Front wing, lamellas, rear diffuser insert, exterior mirrors, beltline and window trim 	All Models	\$ 300
P62	<p><i>designo</i> Bengal Red Nappa Leather Package</p> <p><i>Requires Heated Front Seats (873) or Heated and Ventilated Seats (401)</i></p> <p><i>Requires Natural Grain Black Ash Wood Trim (736)</i></p> <p><i>Not available with Leather Seating Package (318)</i></p> <ul style="list-style-type: none"> ▪ 967 - <i>designo</i> Bengal Red Nappa Leather seats in diamond quilt design with contrast stitching, and <i>designo</i> badges on backrests of front and rear seats ▪ U04 - <i>designo</i> Black Velour Floor Mats with Red-Stitched Border and <i>designo</i> badges in the front floor mats (replaces AMG Floor Mats when combined with AMG Line) ▪ 51U – Black Fabric Headliner ▪ 242 – 3-Position Memory for Passenger Seat ▪ U09 – MB-Tex Dashboard and Door Trim with Grey Topstitching ▪ Center door panels in <i>designo</i> Bengal Red Nappa Leather and center console armrest in <i>designo</i> Black Nappa Leather ▪ Flat-bottom Steering Wheel in black leather <i>Replaced by round steering wheel when ordered with Heated Steering Wheel</i> 	All Models	\$ 3,800

Stand-Alone Options



<i>Code</i>	<i>Options</i>	<i>Availability</i>	<i>MSRP</i>
293	Rear Side Airbags (SPC) <i>Implies \$250 SPC Charge</i>	All Models	\$ TBD
355	SD-Card Navigation Pre-Wiring	All Models	\$ TBD
401	Heated and Ventilated Front Seats <i>Requires Leather Seating Package (318) or designo Bengal Red Nappa Leather Package (P62)</i> <i>Not available with Heated Front Seats (873)</i>	All Models	\$ TBD
443	Heated Steering Wheel <i>AMG Line (321) and designo Package (P62) lose Flat-bottom Steering Wheel</i>	All Models	\$ TBD
463	Head-Up Display	All Models	\$ TBD
464	12.3" Digital Instrument Cluster	All Models	\$ TBD
873	Heated Front Seats	All Models	\$ TBD
877+U25	64-Color Ambient Lighting & Illuminated Door Sills	All Models	\$ TBD
U09	MB-TeX Dashboard w/ Topstitching <i>Requires AMG Line (321)</i> <i>Included in designo Package (P62)</i>	All Models	\$ TBD

Stand-Alone Options



<i>Code</i>	<i>VPC Installed Accessories</i>	<i>Availability</i>	<i>MSRP</i>
068	Wheel Locking Bolts	All Models	\$ 150
070	Chrome Door Handle Inserts	All Models	\$ 70
104	Rear Spoiler <i>Not available with AMG Line (321)</i>	All Models	\$ 350
11A	Black Mirror Housing Covers <i>Not available with Night Package (521) or Carbon Fiber-look Mirror Housing Covers (16A)</i>	All Models	\$ 250
16A	Carbon Fiber-look Mirror Housing Covers <i>Not available with Night Package (521) or Black Mirror Housing Covers (11A)</i>	All Models	\$ 250
19A	Rear Chrome Trim <i>Not available with Night Package (521)</i>	All Models	\$ 200
00A	Illuminated Star <i>Not available with Driver Assistance Package (997)</i>	All Models	\$ 450
26A	MB Entry Navigation	All Models	\$ 200



40/20/40 Split-Folding Rear Seats



40/20/40 Split-Folding Rear Seats

Standard

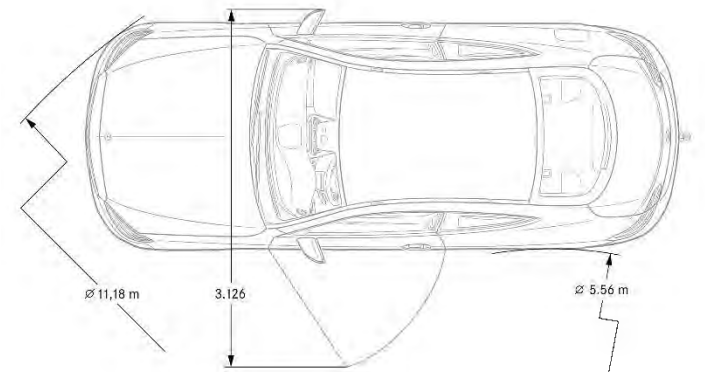
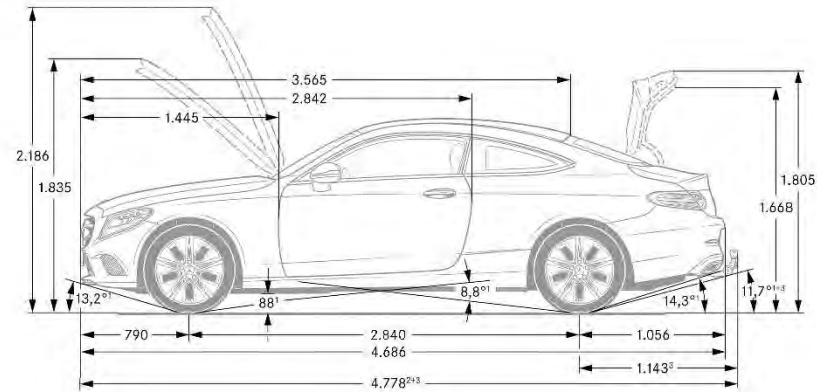
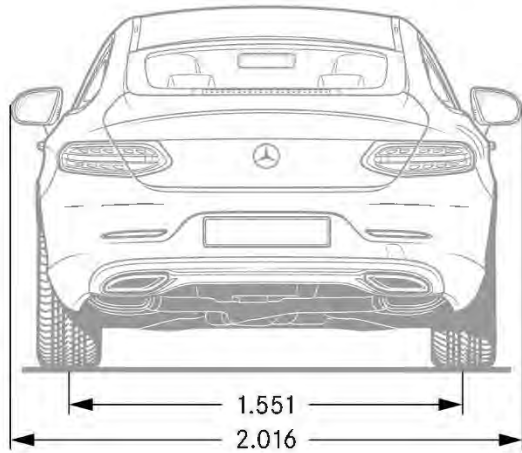
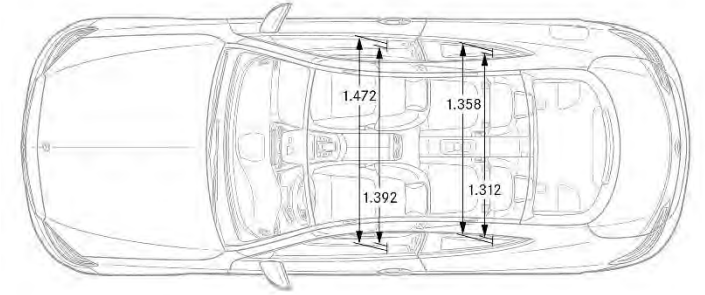
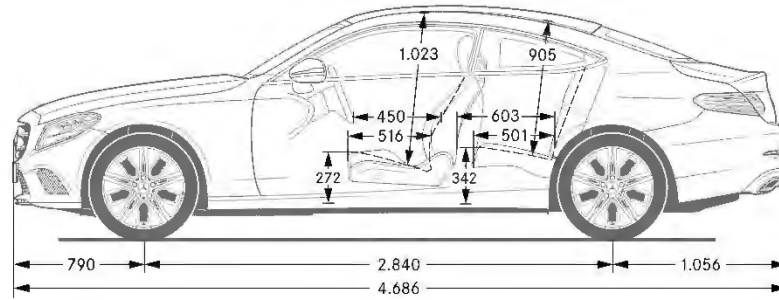
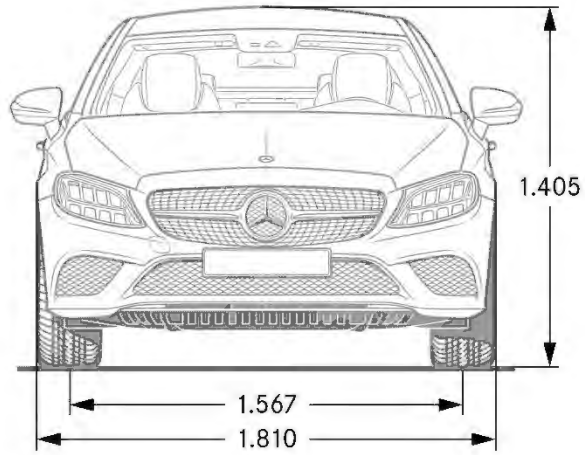
For added convenience and practicality, luggage capacity can be increased by folding the rear-seat backrests forward, either in sections with a 40/20/40 split, or completely down. Seat backs are easily folded by pulling levers located in the trunk.



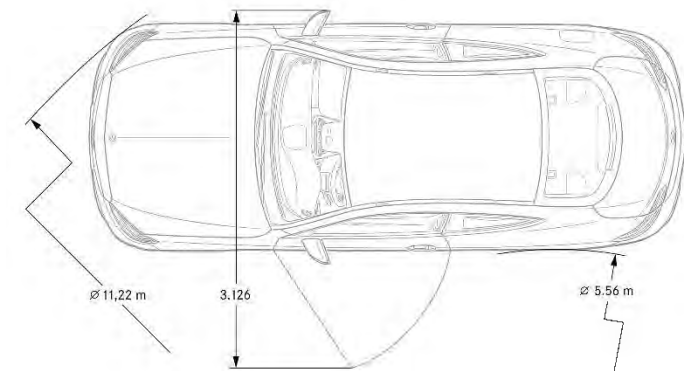
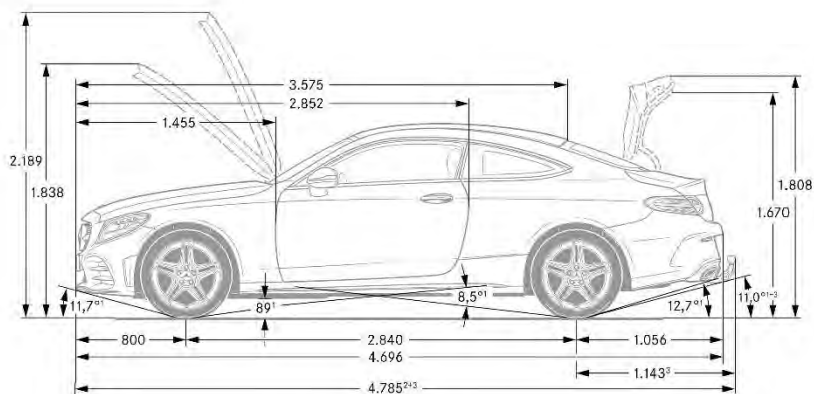
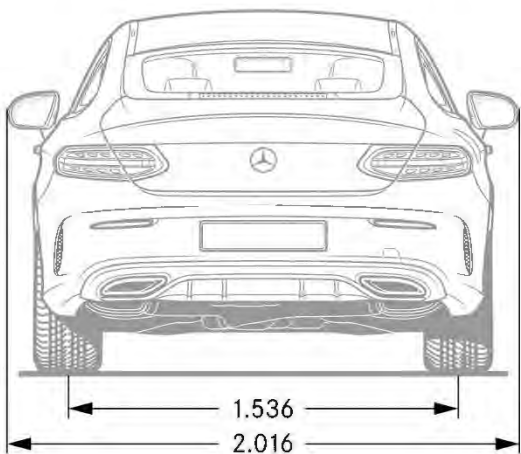
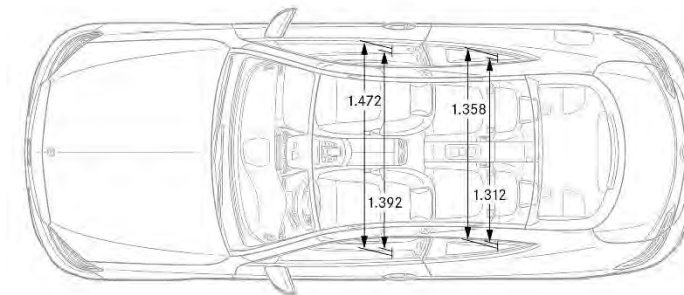
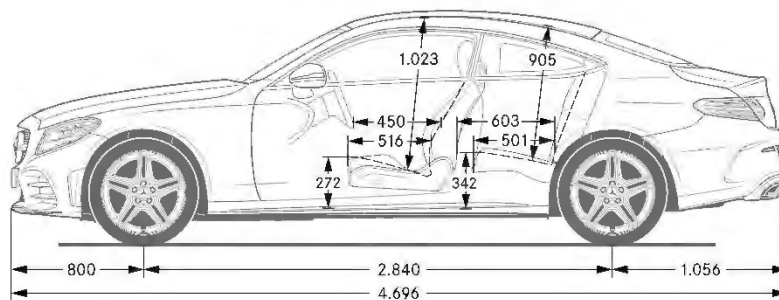
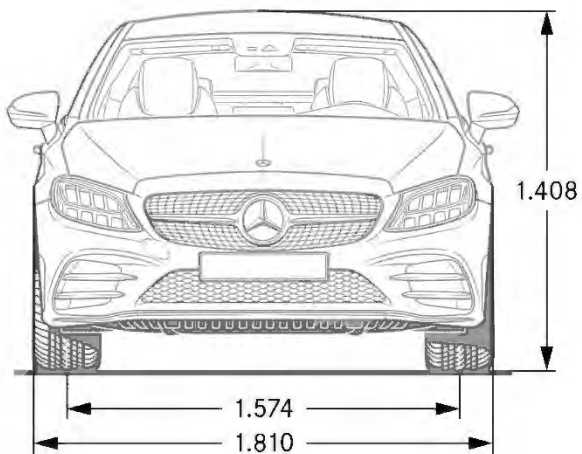


	<i>C 300</i>	<i>C 300 4MATIC</i>
Engine Configuration	2.0L inline-4 turbo engine	2.0L inline-4 turbo engine
Power (hp)	255	255
Torque (lb-ft)	273	273
Displacement (cc)	1,991	1,991
Acceleration 0-60 mph (sec)	5.9	5.9
Fuel Economy (Cty/Hwy/Comb)	TBD	TBD
Top Speed (mph)	130 (lim.)	130 (lim.)
Fuel Requirement (Octane)	91	91
# Valves per cylinder	4	4
Compression	9.8 : 1	9.8 : 1
Transmission	9-Speed Automatic	9-Speed Automatic
Transmission Speeds	9	9
Drive Configuration	Rear-Wheel Drive	Rear-Wheel Drive
Fuel Tank Size (gallons)	17.4	17.4
Trunk Size (cubic feet)	10.5	10.5
Curb Weight (lbs)	TBD	TBD
Vehicle Length (in.)	184.5	184.5
Vehicle Width w/ exterior mirrors (in.)	79.4	79.4
Vehicle Height (in.)	55.3	55.3
Wheelbase (in.)	111.8	111.8
Track Width Front/Rear (in.)	61.5/60.9	61.5/60.9
Coefficient of Drag (Cd)	TBD	TBD

Specifications* – C300



Specifications* – C300 AMG Line





<i>Aggressive</i>			<i>Elegant</i>				
<i>Option</i>	<i>Name</i>	<i>Code</i>	<i>Option</i>	<i>Name</i>	<i>Code</i>		
Paint	Graphite Grey Metallic	831	Paint	Lunar Blue Metallic	890		
Upholstery	Cranberry Red Leather	227	Upholstery	Magma Grey Leather	228		
Trim	Natural Grain Black Ash & Aluminum	737+739	Trim	Natural Grain Grey Oak	H31		
Wheels	19" AMG Multi-Spoke Wheels	788	Wheels	19" Twin 5-Spoke Wheels	R90		
Packages	AMG Line	321	Packages	Premium Package	P01		
	Premium Package	P01		Driver Assistance Package	997		
	Leather Seating Package	318		Leather Seating Package	318		
	Multimedia Package	320		Multimedia Package	320		
	Driver Assistance Package	997		Parking Assist Package	996		
	Parking Assist Package	996		Options	12.3" Digital Instrument Cluster	464	
	Exterior Lighting Package	319			64-Color Ambient Lighting	877	
	Options	Heated & Ventilated Seats			401	Illuminated Door Sills	U25
		Head-Up Display			463	Heated & Ventilated Seats	401
		Illuminated Door Sills			U25	Heated Steering Wheel	443
MB-Tex Dashboard		810	Head-Up Display	463			
12.3" Digital Instrument Cluster		464	Wheel Locking Bolts	068			
	Wheel Locking Bolts	068					



<i>Sport</i>			<i>Classic</i>			
<i>Option</i>	<i>Name</i>	<i>Code</i>	<i>Option</i>	<i>Name</i>	<i>Code</i>	
Paint	Polar White	149	Paint	Mojave Silver Metallic	859	
Upholstery	Magma Grey Leather	228	Upholstery	Black Leather	201	
Trim	Natural Grain Grey Oak	H31	Trim	Natural Grain Lined Walnut & Aluminum	H33 + 739	
Wheels	19" AMG Twin 5-Spokes w/ Black Accents	604	Wheels	19" 10-Spoke Wheels	R09	
Packages	AMG Line	321	Packages	Premium Package	P01	
	Night Package	521		Driver Assistance Package	997	
	Premium Package	P01		Leather Seating Package	318	
	Driver Assistance Package	997		Multimedia Package	320	
	Multimedia Package	320		Parking Assist Package	996	
	Exterior Lighting Package	319		Options	12.3" Digital Instrument Cluster	464
	Leather Seating Package	318			64-Color Ambient Lighting	877
	Parking Assist Package	996			Illuminated Door Sills	U25
	Heated & Ventilated Seats	401			Heated & Ventilated Seats	401
	Head-Up Display	463			Heated Steering Wheel	443
12.3" Digital Instrument Cluster	464	12.3" Digital Instrument Cluster	464			
MB-TEX Dashboard	U09	Head-Up Display	463			
Wheel Locking Bolts	068	Wheel Locking Bolts	068			

AMG C-Class Coupe



C205

Model Year 2019

Pricing Preliminary

Mercedes-Benz USA

AMG

DRIVING PERFORMANCE

C-Class Coupe MY19

C43, C63 & C63S



Models



What's new



Standard Equipment



Exterior Paint Colors



Wheels



Interior Upholstery



Interior Trims



Option Packages



Stand-Alone Options



Options in Detail



Specifications

Insert model picture



AMG C43 (205.364)

- MSRP \$TBD
- AMG-enhanced 3.0L V6 biturbo engine
- 385 hp
- 384 lb-ft
- TBD sec (0-60 mph)
- Launch Date Q3 2018



AMG C63 (205.386)

- MSRP \$TBD
- Handcrafted AMG 4.0L V8 biturbo engine
- 469 hp
- 479 lb-ft
- TBD sec (0-60 mph)
- Launch Date Q4 2018



AMG C63 S (205.387)

- MSRP \$TBD
- Handcrafted AMG 4.0L V8 biturbo engine
- 503 hp
- 516 lb-ft
- TBD sec (0-60 mph)
- Launch Date Q4 2018

Standard Equipment

- New AMG SPEEDSHIFT® MCT 9-Speed sport transmission on C63/C63 S
- Renamed AMG SPEEDSHIFT® TCT 9-Speed sport transmission on C43
- Smartphone Integration (Apple CarPlay™ & Android Auto) becomes standard
- 10.25" Center Screen becomes standard
- Updated steering wheel w/ haptic feedback touchpads and cruise control buttons
- AMG-Specific Grille on C63 variants (new for C-Class)
- New rear apron and diffuser
- New SmartKey in black with AMG crest and AMG lettering
- Power output increases +23hp to 385 hp on C43
- Redesigned LED Headlamps and Taillamps
- New tailpipe designs (double pipes on C43, angular on C63 variants)
- Electronic limited slip differential standard on C63
- Wood trim now standard
- Addition of "Slippery" mode to AMG DYNAMIC SELECT

Optional Equipment

- New wheel designs in 18" and 19" variants
- 12.3" Digital Instrument Cluster (464) now available
- Advanced Lighting Package changed to Exterior Lighting Package and updated to include LED Intelligent Light System and Adaptive Highbeam Assist
- 64-Color Ambient Lighting & AMG Illuminated Door Sills (877+U25) now available as a stand-alone
- New steering wheels options, including full DINAMICA & wheels with wood or carbon trim
- AMG DRIVE UNIT option available on all 63 model steering wheels for added functionality
- Natural Grain Grey Oak Wood Trim (H31) replaces Natural Grain Brown Ash Wood (H09)
- Natural Grain Walnut Wood Trim (H33) now available
- C43: Magma Grey Leather (228) replace Crystal Grey upholstery
- C63/C63 S: New upholstery Magma Grey/Black with Yellow Stitching (858)
- Inductive Wireless Charging and NFC Pairing (897) available as a stand-alone
- 322 AMG Performance Studio Package with new components including AMG Optics Package (36P)
- AMG Performance Seats (555) now available with seat heating and ventilation

Paints

- Graphite Grey Metallic (831) replaces Diamond Silver Metallic
- Mojave Silver Metallic (859) replaces Dakota Brown Metallic

Smartphone Integration for Apple CarPlay™ and Android Auto



Smartphone Integration - Apple CarPlay and Android Auto

Standard

Smartphone Integration makes safe use of mobile devices possible while on the move. The connection to the smartphone allows access to up-to-date software and data such as navigation and traffic information, media (Streaming Media and IP Radio) as well as contact data and messaging. To prevent driver distraction while on the move, there is no complete duplication of smartphone content.

A data connection via the mobile phone is necessary for certain functions. Corresponding charges may be incurred depending on the mobile phone contract. The functions supported also depend on the smartphone. The information provided by the smartphone manufacturer will also indicate the compatible devices and functions.

LED Headlamps (632) & LED Intelligent Light System (640)



LED Headlamps (632)

Standard

- Redesigned LED headlamps are now standard equipment improving the look of the standard C-Class as well as providing increased safety due to brighter and higher quality headlamps.



LED Intelligent Light System with Ultra Wide Beam (640)

Optional

- Redesigned headlamp incorporates updated technology and look for the C-Class
- Ultra Wide Beam produce light at an increased width for maximum illumination of the road and surround area
- Adaptive Highbeam Assist is part of the LED Intelligent Light System and allows drivers to drive with highbeams activated at all times. System will automatically deactivate highbeams in the presence of oncoming traffic so as not to blind oncoming drivers.

New Generation Sport Steering Wheel



AMG Performance Steering Wheel

Standard

The newly redesigned 3-spoke multifunction steering wheel in nappa leather combines a sporty design, compact dimensions and fine materials.

- Silver-colored steering wheel shift paddles integrated into the back of the steering wheel cross spokes enable manual gear shifting and support a sporty driving style.
- Flat-bottom design
- Optional Active Distance Assist DISTRONIC® or standard cruise control is controlled via steering wheel-mounted controls.
- Touch Control buttons for direct control of the instrument cluster (analogue or digital) and to control the functions of the multimedia system.

Inductive Wireless Charging and NFC Pairing



Inductive Wireless Charging and NFC Pairing (897)

Option price: \$tbd

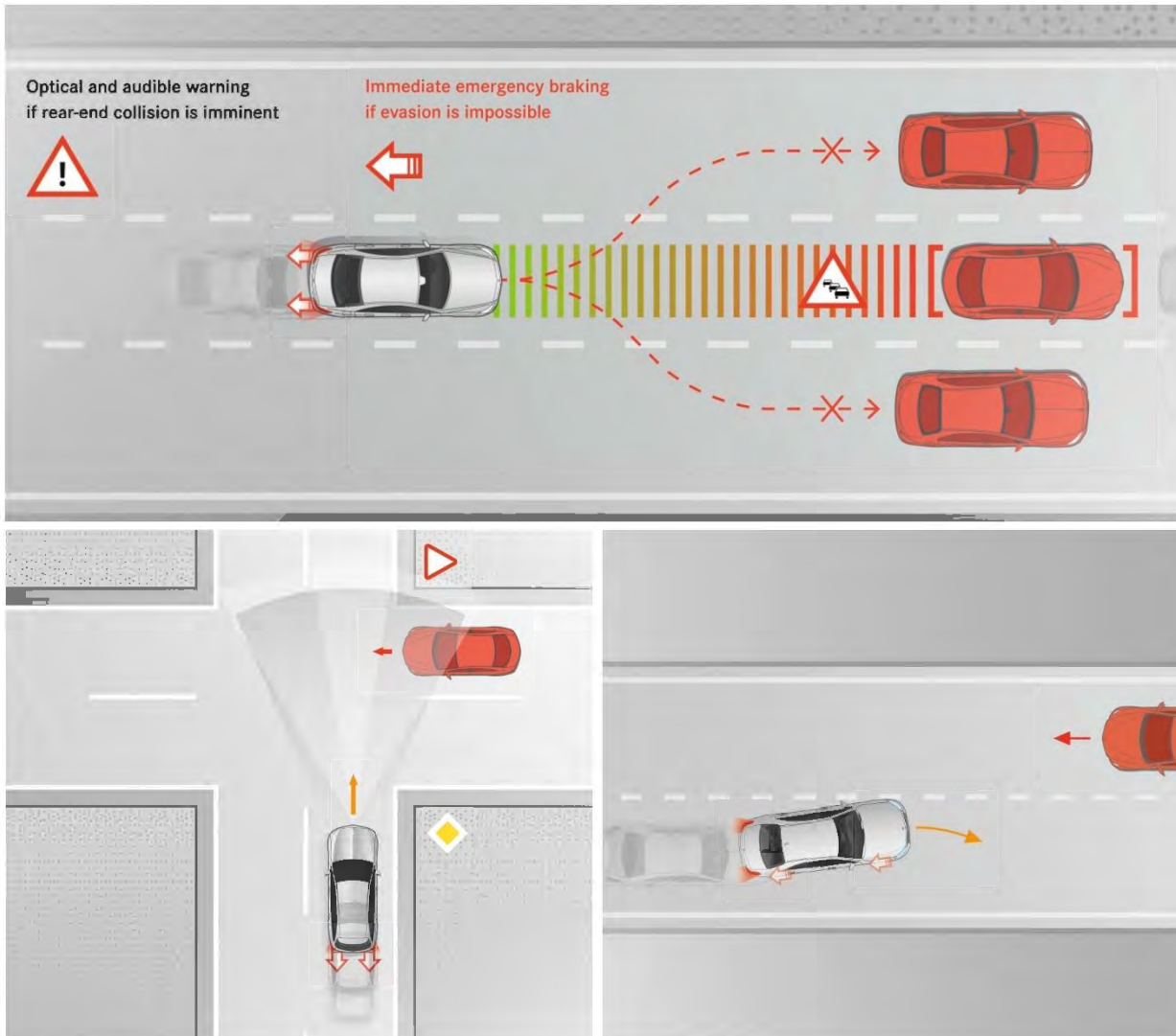
Driving time becomes charging time - with just a simple hand movement your smartphone can be fixed in place in the center console where it is charged wirelessly. Irrespective of the model and brand, all smartphones meeting the Qi standard are charged wirelessly.

Components:

- Wireless charging for numerous mobile phones that support or can be upgraded to support the Qi standard
- Quick establishment of connection between the multimedia system and mobile phone via Near Field Communication (NFC) for mobile device identification
- Charging area in the front tray in the center console for mobile devices



Driver Assistance Systems



Driver Assistance Package (997)

Option price: \$tbd

- **Active Distance Assist DISTRONIC®** is able to follow a vehicle in front at a pre-selected distance at wider range of speeds
- **Active Steering Assist** functions at a wider range of speeds and can now actively intervene even if road lines are unclear or non-existent at certain speeds; can now function in curves with a tighter radius
- **Active Emergency Stop Assist** brakes the vehicle to a standstill in its lane if it detects that the driver is no longer actively driving the vehicle while it is on the move with Active Distance Assist DISTRONIC and Active Steering Assist engaged. Can now unlock the doors when the vehicle is stationary to allow first aid responders immediate access to the vehicle's interior. With available mbrace® Secure, the system simultaneously makes an emergency call
- **Active Lane Change Assist** is a radar-and-camera-based system that aids the driver when changing lanes. When a turn is indicated, this feature will aid with steering into the adjacent lane if it detects the lane is empty
- **Active Speed Limit Assist** can adapt vehicle speed to identified speed limits and can now adjust preemptively when speed limits are going to change
- **Route-Based Speed Adaptation** the vehicle is now able to reduce the speed in anticipatory mode by referencing the COMAND map data ahead of bends, junctions, roundabouts, toll booths and exit roads.
- **Active Brake Assist with Cross-Traffic Function**
- **Evasive Steering Assist** this system assists by adding calculated steering torque to aid in steering wheel movement when a driver deliberately or instinctively performs an evasive maneuver around a pedestrian
- **Active Blind Spot Assist** is active at a wider range of speeds and informs the driver to help avoid an imminent side impact by single-sided braking
- **Active Lane Keeping Assist** is active now at a wider range of speeds

Performance & Handling

- C43: AMG SPEEDSHIFT® TCT 9-speed sport transmission
- C63 / C63 S: AMG SPEEDSHIFT® MCT 9-speed sport transmission
- AMG RIDE CONTROL sport suspension with adaptive 3-stage damping
- AMG DYNAMIC SELECT
- C43: AMG Performance 4MATIC
- C63 / C63 S: AMG Electronic limited-slip differential
- C63 S: Dynamic Engine Mounts
- C43/C63: 18" Wheels
- C63 S: 19" Wheels

Comfort & Convenience

- KEYLESS START
- KEYLESS-GO
- Two USB Ports
- Bluetooth® Technology (for Handsfree Phone Use/Audio Streaming)
- HD Radio
- SiriusXM Satellite Radio
- Burmester® Surround Sound System
- Power and Heated Front Seats with Memory
- 4-way Lumbar Support
- Power Tilt & Telescoping Steering Column
- Power-Folding Mirrors
- Electronic Cruise Control
- 10.25" Media Display w/ central controller
- AMG Nappa Leather Performance Steering Wheel
- Dual-zone Automatic Climate Control
- Garage Door Opener
- Intermittent Wipers with Rain Sensor
- Automatic Seatbelt Extender
- Panorama Sunroof
- LED Headlamps and taillights
- Auto-Dimming Driver & Rearview Mirror
- Front and Rear Cupholders
- Split-Folding Rear Seats (40/20/40)
- HANDS-FREE ACCESS
- Electronic Trunk Closer

Safety & Security

- New Vehicle 4 Year/50,000 Mile Warranty
- 24h Roadside Assistance Program
- 3-point Seat Belt with Pretensioners & Dual-Stage Belt Force Limiter
- Front Dual-Stage Airbags
- Front and Rear Side Window Airbags
- Front Side Airbags
- Driver & Passenger Kneebags
- Blind Spot Assist
- ISOFIX Anchor and Tether System
- ATTENTION ASSIST Driver Drowsiness Monitor
- COLLISION PREVENTION ASSIST PLUS (CPA+)
- PRE-SAFE
- Smart Key with Panic Button
- Tire Pressure Monitoring System
- Anti-theft Alarm System
- Rearview Camera

Non-metallic Paints



040
Black
Option price: \$0 (C 43 only)



149
Polar White
Option price: \$0

Metallic Paints



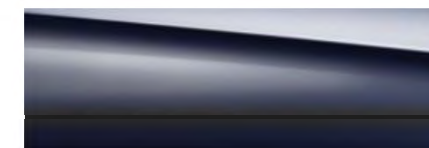
197
Obsidian Black
Option price: \$720



775
Iridium Silver
Option price: \$720



831
Graphite Grey
Option Price: \$720(C 43 only)



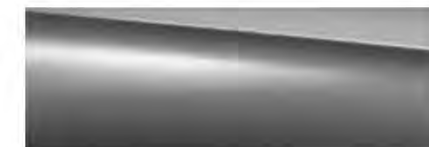
890
Lunar Blue
Option price: \$720(C 43 only)



896
Brilliant Blue
Option price: \$720



859
Mojave Silver
Option Price: \$720(C 43 only)



992
Selenite Grey
Option price: \$720

designo® Paints designo Paints



297
Selenite Grey
Magno
Option price:
\$2,020



996
Cardinal Red
Option price:
\$1,080 (C 43 only)



799
Diamond White
Option price: \$1,515



982
Iridium Silver Magno
Option price: \$2,020
(C 63/63S only)



818
Graphite Grey
Magno
Option price: \$2,020
(C 63/63S only)



RSJ
18" 5-Spoke
R02, R66
Option price: \$0
C 43 only



605
19" Multispoke
R01, R66
Option price: \$850
C 43 only



RSU
19" AMG Twin 5-Spoke
R01, R66
Option price: \$850
C 43 only



RSV
19" AMG Twin 5-Spoke
w/Black Accents
R01, R66
Option price: \$850 (C 43 only)



RVD
19" Multispoke, Black
R01, R66
Option price: \$1,350
C 43 only; Must have 322 pkg.

Picture
Available
Soon



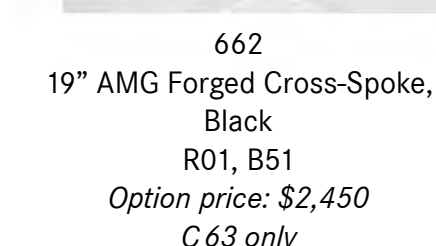
RUP
18" AMG 10-Spoke
R01, B51
Option price: \$0
C 63 only (std)



RSW
19" AMG Twin 5-Spoke
R01, B51
Option price: \$850/\$0
C 63/63 S only
(std on 63 S)



770
19" AMG Forged Cross-Spoke
R01, B51
Option price: \$1,950
C 63 only



662
19" AMG Forged Cross-Spoke,
Black
R01, B51
Option price: \$2,450
C 63 only



RXC
19"/20" AMG Forged Twin 5-
Spoke, Black
R01, B51
Option price: \$2,100
C 63 S only



766
19"/20" AMG Forged Cross-Spoke
R01, B51
Option price: \$1,600
C 63 S only



767
19"/20" AMG Forged Cross-Spoke,
Black
R01, B51
Option price: \$2,100
C 63 S only

<i>Code</i>	<i>Wheel Size</i>	<i>Description</i>	<i>Wheel Dimensions</i>	<i>Mobility</i>	<i>Availability</i>	<i>MSRP</i>
RSJ	18"	5-Spoke Wheel	225/45 R18 on 7.5 J x 18 ET33 (Front) 245/40 R18 on 8.5 J x 18 ET49 (Rear)	R02, R66	C 43 only	\$ 0
605	19"	Multispoke	225/40 R 19 on 7.5 J x 19 H ET36 (Front) 255/35 R 19 on 8.5 J x 19 H ET52 (Rear)	R01, R66	C 43 only	\$ 850
RVD	19"	Multispoke, Black	225/40 R 19 on 7.5 J x 19 H ET36 (Front) 255/35 R 19 on 8.5 J x 19 H ET52 (Rear)	R01, R66	C 43 only	\$ 1,350
RSU	19"	Twin 5-Spoke	225/40 R 19 on 7.5 J x 19 H ET33 (Front) 255/35 R 19 on 8.5 J x 19 H ET49 (Rear)	R01, R66	C 43 only	\$ 850
RSV	19"	Twin 5-Spoke w/Black Accents	225/40 R 19 on 7.5 J x 19 H ET33 (Front) 255/35 R 19 on 8.5 J x 19 H ET49 (Rear)	R01, R66	C 43 only	\$ 850
RUP	18"	AMG 10-Spoke	255/40 R 18 on 9.0 J x 18 ET25 (Front) 285/35 R 18 on 10.5 J x 18 ET 57 (Rear)	R01, B51	C 63 only	\$ 0
RSW	19"	AMG Twin 5-Spoke	245/40 R 19 on 9.0 J x 19 ET45 (Front) 265/35 R 19 on 10.5 J x 19 ET 56 (Rear)	R01, B51	C 63 C 63 S	\$ 850 \$ 0
770	19"	AMG Forged Cross-Spoke	245/40 R 19 on 9.0 J x 19 ET45 (Front) 265/35 R 19 on 10.5 J x 19 ET56 (Rear)	R01, B51	C 63	\$ 1,950
662	19"	AMG Twin 5-Spoke, Black	245/40 R 19 on 9.0 J x 19 ET45 (Front) 265/35 R 19 on 10.5 J x 19 ET56 (Rear)	R01, B51	C63	\$ 2,450
766	19"/20"	AMG Forged Cross-Spoke	255/35 R 19 on 9.0 J x 19 ET25 (Front) 285/30 R 20 on 10.5 J x 20 ET 57 (Rear)	R01, B51	C 63 S only	\$ 1,600
767	19"/20"	AMG Forged Cross-Spoke, Black	255/35 R 19 on 9.0 J x 19 ET25 (Front) 285/30 R 20 on 10.5 J x 20 ET 57 (Rear)	R01, B51	C 63 S only	\$ 2,100
RXC	19"/20"	AMG Forged Twin 5-Spoke, Black	255/35 R 19 on 9.0 J x 19 ET25 (Front) 285/30 R 20 on 10.5 J x 20 ET 57 (Rear)	R01, B51	C 63 S only	\$ 2,100



641

Black MB-TEX/DINAMICA w/Red Topstitching

Option price: \$0

C43 only



641+555

Black MB-TEX/DINAMICA w/Red Topstitching

w/ AMG Performance Seats

Option price: \$2,500

C43 only



611

Black MB-TEX/DINAMICA

Option price: \$0

C63 only



611+555

Black MB-TEX/DINAMICA

w/ AMG Performance Seats

Option price: \$2,500

C63 only



201
Black
Option price: \$1,620
C43 only



241
Black w/Red Topstitching
Option price: \$1,620
C43 only



241+555
Black w/ Red Topstitching
Option price: \$4,120
C43 only



228
Magma Grey/Black
Option price: \$1,620
C43 only



224
Saddle Brown/Black
Option price: \$1,620
C43 only



225
Porcelain / Black
Option price: \$1,620
C43 only



227

Cranberry Red/Black

Option price: \$1,620

C43 only

Interior Upholstery – Nappa Leather



801
Black

*Option price for C 63 : \$2,590
Option price for C 63 S : \$0
(C 63 & C 63 S only)*



801+555
Black

*Option price for C 63 : \$5,090
Option price for C 63 S : \$2,500
(C 63 & C 63 S only)*



857
Red Pepper/Black

*Option price for C 63 : \$2,590
Option price for C 63 S : \$0
(C 63 & C 63 S only)*



857+555
Red Pepper/Black

*Option price for C 63 : \$5,090
Option price for C 63 S : \$2,500
(C 63 & C 63 S only)*



851
Platinum White/Black

*Option price for C 63 : \$2,590
Option price for C 63 S : \$0
(C 63 & C 63 S only)*



851+555
Platinum White/Black Nappa

*Option price for C 63 : \$5,090
Option price for C 63 S : \$2,500
(C 63 & C 63 S only)*

Interior Upholstery – Nappa Leather



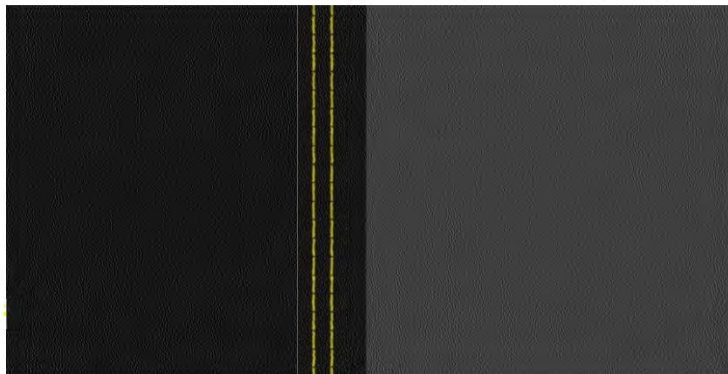
811
Black w/ Grey Accents
Option price: \$0
C 63 S only



811+555
Black w/ Grey Accents
Option price: \$2,500
C 63 S only

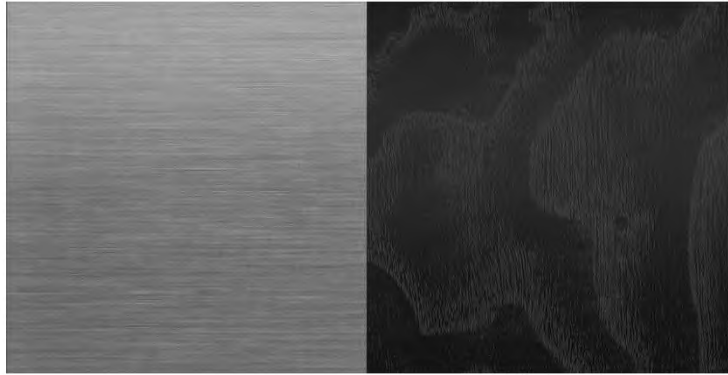


858
Magma Grey/Black with Yellow Stitching
Option price: TBD
C 63 / C 63 S only



858 + 555
Magma Grey/ Black with Yellow Stitching
w/ AMG Performance Seats
Option price: TBD
C 63 / C 63 S only

<i>Code</i>	<i>Upholstery</i>	<i>Seats</i>	<i>Floor Mats</i>	<i>Upper Dash/Lower Dash</i>	<i>Seat Belts</i>	<i>Headliner</i>	<i>Topstitching</i>
641	Black MB-Tex/DINAMICA w/ Red Topstitching	Black	Black	Black/Black	Red	Black	Red
611	Black MB-Tex/DINAMICA	Black	Black	Black/Black	Black	Black	None
201	Black Leather	Black	Black	Black/Black	Black	Black	None
241	Black Leather w/ Red Topstitching	Black	Black	Black/Black	Red	Black	Red
228	Magma Grey/Black Leather	Black	Black	Black/Magma Grey	Black	Black	None
224	Saddle Brown/Black	Black	Black	Black/Black	Black	Black	None
225	Porcelain/Black	Black	Black	Black/Black	Black	Black	None
227	Cranberry Red/Black	Black	Black	Black/Black	Black	Black	None
801	Black Nappa Leather	Black	Black	Black/Black	Black	Black	None
857	Red Pepper/ Black Nappa Leather	Black/ Red Pepper	Black	Black/Black	Black	Black	Red
851	Platinum White/Black Nappa Leather	Black/ Platinum White	Black	Black/Black	Black/ Silver (C 63 S only)	Black	Silver
811	Black w/ Grey Accents Nappa Leather	Black/Grey	Black	Black/Black	Silver	Black	Silver
858	Magma Grey/Black Nappa Leather w/ Yellow Stitching	Magma Grey	Black	Black/Black	Black	Black	Yellow



737 + 739

Natural Grain Black Ash Wood & Aluminum
Option price: \$0



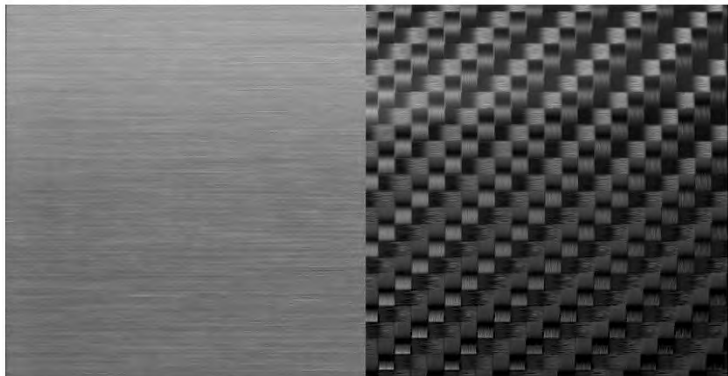
H33

Natural Grain Line Walnut Wood & Aluminum
Option price: \$0



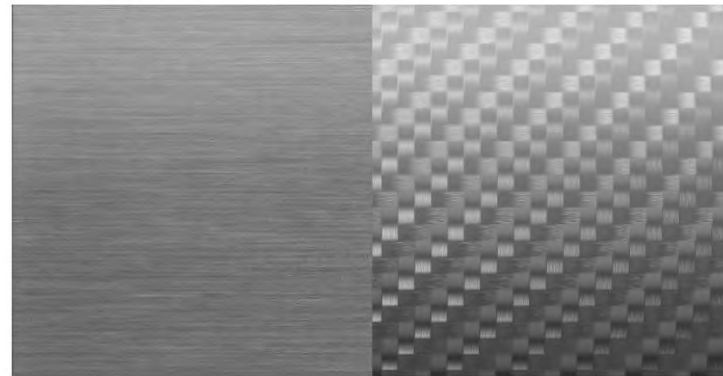
H07

Dark Brown Linden Wood
Option price: \$0



H73

AMG Carbon Fiber
Option price: \$1,300 (C 43 & C 63 only)
Option price: \$975 (C 63 S only)



H84

AMG Silver Fiber Glass
Option price: \$1,300 (C 43 & C 63 only)
Option price: \$975 (C 63 S only)



H31

Natural Grain Grey Oak
Option price: \$0

<i>Code</i>	<i>Packages</i>	<i>Availability</i>	<i>MSRP</i>
P01	Premium Package <i>Standard</i> <ul style="list-style-type: none"> ▪ 234 – Blind Spot Assist ▪ 500 – Power-Folding Side Mirrors ▪ 536 – SiriusXM Radio ▪ 810 – Burmester® Surround Sound System ▪ 871 – HANDS-FREE ACCESS ▪ 881 – Electronic Trunk Closer ▪ 889 – KEYLESS-GO® 	All Models	Std.
319	Exterior Lighting Package <ul style="list-style-type: none"> ▪ 640 – LED Intelligent Light System ▪ 608 – Adaptive Highbeam Assist 	All Models	\$ tbd
320	Multimedia Package <ul style="list-style-type: none"> ▪ 531 – COMAND® navigation ▪ 448 – Touchpad w/ Controller ▪ 502 – Map updates 	All Models	\$ tbd

<i>Code</i>	<i>Packages</i>	<i>Availability</i>	<i>MSRP</i>
996	Parking Assist Package <ul style="list-style-type: none"> ▪ 235 – Active Parking Assist ▪ 501 – Surround View System 	All Models	\$ 1,090
997	Driver Assistance Package <i>Requires Multimedia Package (320)</i> <ul style="list-style-type: none"> ▪ Active Distance Assist DISTRONIC® ▪ Active Steering Assist ▪ Evasive Steering Assist ▪ Active Lane Change Assist ▪ Active Lane Keeping Assist ▪ Active Blind Spot Assist ▪ Active Brake Assist w/ Cross-Traffic Function ▪ Active Emergency Stop Assist ▪ Active Speed Limit Assist ▪ Route-Based Speed Adaptation 	All Models	\$ Tbd
B28	AMG Exterior Carbon Fiber Package Carbon fiber elements: Exterior Mirror Covers and Trunk Lid Spoiler	C 43	\$ 1,750
773	AMG Exterior Carbon Fiber Package I <ul style="list-style-type: none"> ▪ Carbon fiber elements: A-Wing in front bumper, side skirts and trim above the rear diffuser ▪ Silver-chrome elements: Lamella grille 	C 63 & C 63 S	\$ 2,950
B28	AMG Exterior Carbon Fiber Package II Carbon fiber elements: Exterior Mirror Covers and Trunk Lid Spoiler	C 63 & C 63 S	\$ 1,750

<i>Code</i>	<i>Packages</i>	<i>Availability</i>	<i>MSRP</i>
521	<p>AMG Night Package</p> <p>C 43: P55: High-gloss black elements: front splitter, rear diffuser insert, exhaust tailpipes</p> <p>C 63 & C 63 S:</p> <ul style="list-style-type: none"> ▪ P60: High-gloss black elements: A-wing along w/trim strip on front bumper, side skirts, exterior mirror covers, window trim, trim above rear diffuser and exhaust tailpipes ▪ Silver-chrome elements: Lamella grille 	C 43	\$ 300
		C 63 & C 63 S	\$ 750
322	<p>AMG Performance Studio Package</p> <ul style="list-style-type: none"> ▪ 36P - AMG Styling Package including high gloss front splitter, side skirts, spoiler lip, and rear apron flics ▪ P55 - AMG Night Package ▪ RVD - 19" AMG Multi-spoke Wheels in matte black with high-sheen rim flange 	C43	\$ 3,150

<i>Code</i>	<i>Options</i>	<i>Availability</i>	<i>MSRP</i>
256	AMG Track Pace <i>Requires Multimedia Package (320)</i>	C 43 & C 63 C 63 S	\$ \$
260	Rear Deck Lid Badge Delete	C63 & C63 S	\$
261	Front Fender Badge Delete	All Models	\$
355	SD-Card Navigation Pre-wiring	All Models	\$ 200
401	Heated & Ventilated Front Seats <i>Requires leather upholstery or designo Nappa leather upholstery</i>	All Models	\$
463	Head-Up Display with AMG-specific content	All Models	\$
464	12.3" Digital Instrument Cluster		
555	AMG Performance Seats	All Models	\$
877+U25	64-Color Ambient Lighting & AMG Illuminated Door Sills	All Models	\$
897	Inductive Wireless Charging and NFC Pairing	All Models	\$
B07	AMG Ceramic Composite Braking System <i>Only with 766, 767, and RXC wheels</i>	C 63 S	\$
B26	AMG Aerodynamics Package <i>Not available with U93</i> <ul style="list-style-type: none"> Features in high-gloss black: front splitter, side inserts, performance spoiler lip, performance rear apron air vents, aerodynamically optimized diffuser 	C63 & C63 S	\$ 1,750
K33	Extended Restart in Stop & Go Traffic <i>Requires both 996 and 997 packages</i>	All Models	\$
R03	AMG Cup Tires <i>Only with 766, 767, and RXC wheels</i>	C63 S	\$

<i>Code</i>	<i>Options</i>	<i>Availability</i>	<i>MSRP</i>
U17	Replace Red or Silver Seat Belts with Black	C 43 & C 63 S	\$
U78	AMG Performance Exhaust System	All Models	\$
U88	AMG DRIVE UNIT <i>Standard with L6G steering wheel</i>	C63 & C63 S	\$
U93	AMG Carbon Fiber Trunk Lid Spoiler <i>Already included in B28 on C63 and C63 S</i>	All Models	\$
U97	AMG Performance Spoiler in High-Gloss Black	C 63 & C 63 S	\$
Y05	Red Seat Belts <i>C 43 standard w/ 641 and 241 upholsteries. Not available with 224, 227, and 857 interiors.</i>	C 63 & C 63 S	\$

<i>Code</i>	<i>SPC Options</i>	<i>Availability</i>	<i>MSRP</i>
298	Rear Side Air Bags <i>SPC option (implies \$250 on-top charge)</i>	All Models	\$

<i>Code</i>	<i>VPC Installed Accessories</i>	<i>Availability</i>	<i>MSRP</i>
00A	Illuminated Star <i>Not available with 997 Driver Assistance Package</i>	All Models	\$ 450
26A	MB Entry Navigation	All Models	\$ 625
11A	Black Mirror Housings <i>Not available with 521 AMG Night Package, B28 Exterior Carbon-Fiber package, and paint codes 040/197</i>	C63 / C63 S	\$ Tbd
19A	Rear Chrome Trim on Decklid	All Models	\$ Tbd
068	Wheel Locks	All Models	\$ 150
070	Chrome Door Handle Inserts (set of 2)	All Models	\$ 70

Steering Wheels



AMG Performance Steering Wheel (L6J)

Standard on C 43 / C 63

Option price on C63 S: \$tbd

The AMG Performance steering wheel in Nappa leather features AMG-specific shift paddles

- "AMG" badge underscores the sporty character.
- Red stitching and red 12 o'clock marker only come on C43, and only when upholsteries 641 or 241 are selected



AMG Performance Steering Wheel in Nappa/DINAMICA inserts (L6K)

Standard on C 63 S (on C63 S, available with or without U88 AMG DRIVE UNIT)

Option price for C 43 & C 63: \$500

- Grip area is finished in DINAMICA
- On C63 S, 12 o'clock marker and stitching are in red with upholstery 857, yellow with 858, and grey with 811, 851, and P62

Picture Available
Soon

AMG Performance Steering Wheel in DINAMICA (L6G)

Optional on C 63 / C 63 S only

U88 AMG DRIVE UNIT included

- Completely finished in black DINAMICA
- On C63 S, 12 o'clock marker and stitching are in red with upholstery 857, yellow with 858, and grey with 811, 851, and P62

Steering Wheels



AMG Performance Steering Wheel in Nappa/Piano Black Trim (L6L)

Optional on all AMG variants

Option price: \$tbd

- Only in combination with the following interior trims: 737, H73
- Stitching and 12 o'clock marker always in black

Picture Available
Soon

AMG Performance Steering Wheel in DINAMICA/Carbon Fiber Trim (L6H)

Optional on C 63 / 63 S only (requires U88 AMG DRIVE UNIT)

Option price: \$tbd

- Only in combination with the following interior trims: 737, H73
- Stitching and 12 o'clock marker always in black

Picture Available
Soon

AMG DRIVE UNIT (U88)

C63 and C63 S models only

Optional on L6J, L6K, L6L, and L6H steering wheels

Required on L6G wheels

Option price: \$tbd

- Left rocker switch can be freely assigned functions such as manual mode, adjustment of AMG RIDE CONTROL, activation/deactivation of ESP, enable/disable AMG Performance Exhaust System (optional)
- Right round control knob: selection of drive programs and display of current selected mode

Brakes



Sports Braking System

Standard on C 43 (C 43 only)

4-piston front and single piston rear calipers

- Front axle: brake disks measuring 14.2 x 1.4 inch, internally ventilated and perforated, with 4-piston aluminum fixed caliper and black "AMG" lettering
- Rear axle: brake disks measuring 12.6 x 0.9 inch, internally ventilated, with 1-piston floating caliper with brake caliper-integrated electric parking brake
- Painted in silver brake calipers



AMG High-Performance Braking System (B06)

Standard on C 63 (C 63 only)

6-piston front and single piston rear calipers

- Front axle: integral brake discs measuring 14.2 x 1.4 inch, internally ventilated and perforated with 6-piston fixed caliper
- Rear axle: brake discs measuring 14.2 x 1.0 inch, internally ventilated and perforated with 1-piston floating caliper
- grey-painted brake calipers with white AMG lettering
- Painted in grey brake calipers



AMG High-Performance Composite Braking System (U70)

Standard on C 63 S (C 63 S only)

6-piston front and single piston rear calipers

- Front axle: Compound brake disc measuring 15.4 x 1.4 inch, internally ventilated and perforated with 6-piston fixed caliper
- Rear axle: Brake discs measuring 14.2 x 1.0 inch, internally ventilated and perforated with 1-piston floating caliper
- Increased fade resistance and reduced thermal deformation of brake discs
- Painted in red brake calipers



AMG High-Performance Ceramic Composite Braking System (B07) [See advisory](#)

Option price: \$5,450 (C 63 S only)

6-piston front and single piston rear calipers

- Front axle: compound ceramic disc with a diameter of 15.8 x 1.5 inch, internally ventilated and perforated, with 6-piston fixed caliper
- Rear axle: integral brake disc with a diameter of 14.1 x 1.0 inch, internally ventilated, perforated and grooved with 1-piston combined floating brake caliper
- Bronze brake calipers with 30% weight saving compared with standard brake discs

Advisory on B07 AMG High-Performance Ceramic Compound Braking System



The AMG Ceramic Compound Braking system has numerous benefits – namely, it is 40% lighter than a conventional steel braking system, offers significantly longer service life for the brake rotors, and provides exceptional resistance to brake fade under repeated aggressive stops.*

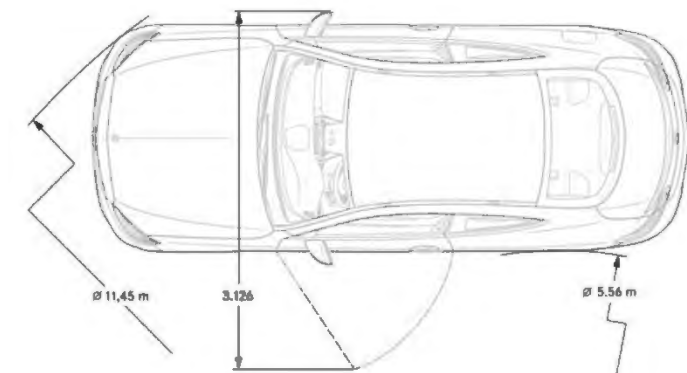
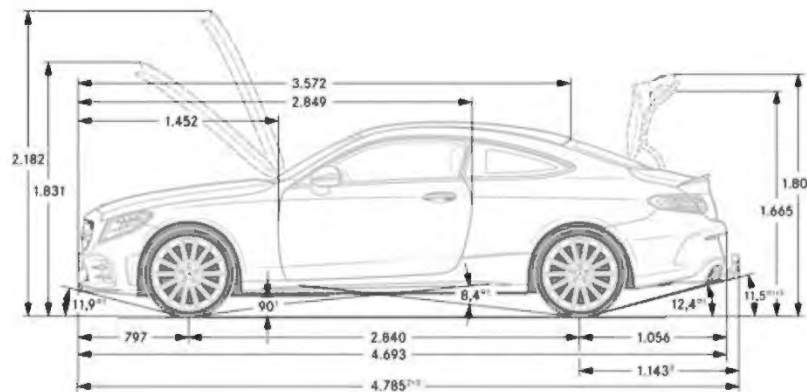
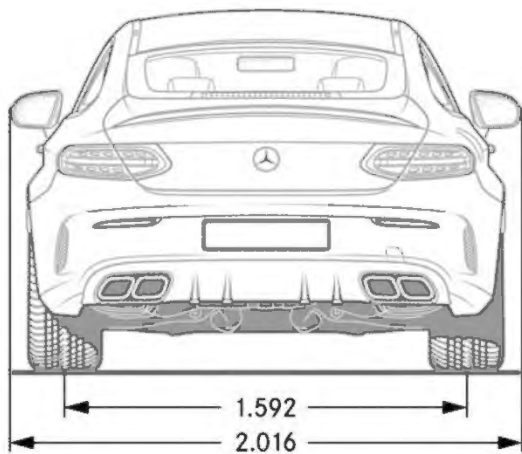
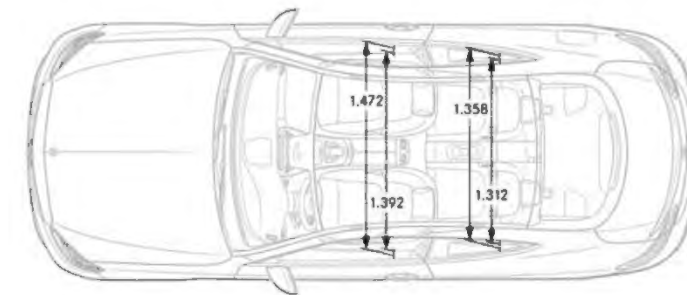
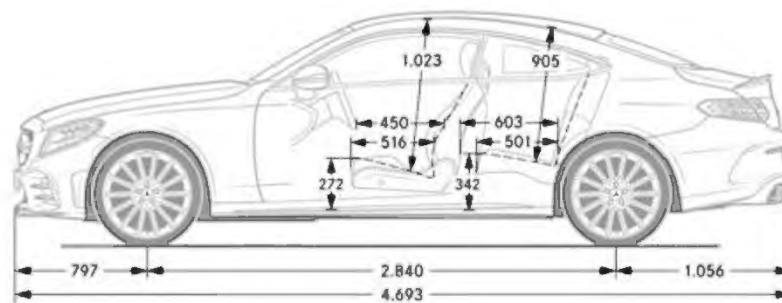
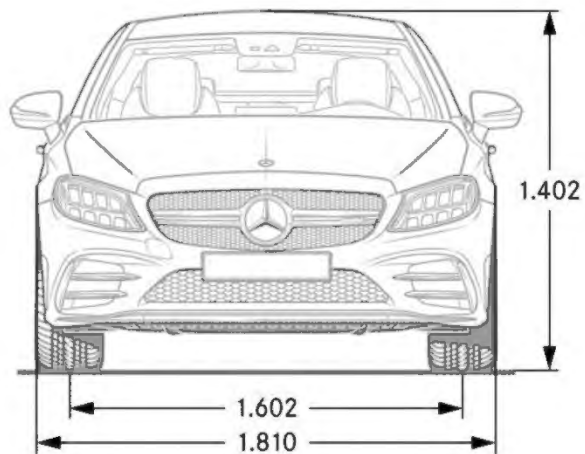
The materials in your AMG Ceramic Compound Braking system were derived from Formula One technology, and therefore will perform differently than conventional brakes.

Especially when cold, this ceramic composite material will resonate during braking and potentially feel less responsive under light brake pressure but with no loss in braking power. You will hear sounds, e.g. squealing, that you might not expect and which may be louder than what you are used to during ordinary everyday braking maneuvers – rest assured that this is a normal operating characteristic for this brake system, and is a by-product of the unique properties of the material. Mercedes-AMG recommends that the driver engage the brakes in an assertive manner in order to mitigate some of this noise during normal operation; Mercedes-AMG also recommends that the brakes be brought up to operating temperature before use in high-performance driving situations in order to improve braking performance.

**Brake weight based on AMG Germany official measurements, Service life based on F1 Safety car longevity and is dependent on individual driving style and conditions and will vary. Brake pads and rotors should be regularly serviced to ensure proper wear. Please reference your Mercedes-AMG Maintenance Booklet or contact your dealer for scheduled intervals.*

	<i>C43 4MATIC</i>	<i>C63</i>	<i>C63S</i>
Engine Configuration	AMG-enhanced 3.0L V6 biturbo engine	Handcrafted AMG 4.0L V8 biturbo engine	Handcrafted AMG 4.0L V8 biturbo engine
Power (hp)	385 @ 6,100	469	503
Torque (lb-ft)	384 @ 2,500-5,000	479	516
Displacement (cc)	2,996	3,982	3,982
Acceleration 0-60 mph (sec)	4.5	TBD	TBD
Fuel Economy (Cty/Hwy/Comb)	TBD	TBD	TBD
Top Speed (mph)	130 (lim.)	TBD	TBD
Fuel Requirement (Octane)	91	91	91
# Valves per cylinder	4	TBD	TBD
Compression	10.5 : 1	TBD	TBD
Transmission	AMG SPEEDSHIFT TCT 9-Speed	AMG SPEEDSHIFT MCT 9-Speed	AMG SPEEDSHIFT MCT 9-Speed
Transmission Speeds	9	9	9
Drive Configuration	All-Wheel-Drive	Rear-Wheel-Drive	Rear-Wheel-Drive
Fuel Tank Size (gallons)	17.4	TBD	TBD
Trunk Size (cubic feet)	10.5	TBD	TBD
Curb Weight (lbs)	TBD	TBD	TBD
Vehicle Length (in.)	184.8	187.1	187.1
Vehicle Width w/ exterior mirrors (in.)	79.4	79.4	79.4
Vehicle Height (in.)	55.3	55.2	55.2
Wheelbase (in.)	111.8	111.8	111.8
Track Width Front/Rear (in.)	63.1/61.3	64.4/62.7	64.4/62.7
Coefficient of Drag (Cd)	0.30	TBD	TBD

Specifications* – C43



Specifications* – C63

