

Model

205, 253

Headlamp range adjustment reference

The headlamp range adjustment is installed in vehicles that do not have any of the following equipment features:

Vehicle with halogen headlamps

- Code 460 (Canada version)
- Code 494 (USA version)
- Air suspension (model 205 with CODE 483 (ADVANCED AGILITY package) and CODE 489 (AIRmatic), model 253 with CODE 489 (AIR BODY CONTROL))

Vehicle with LED headlamps (static)

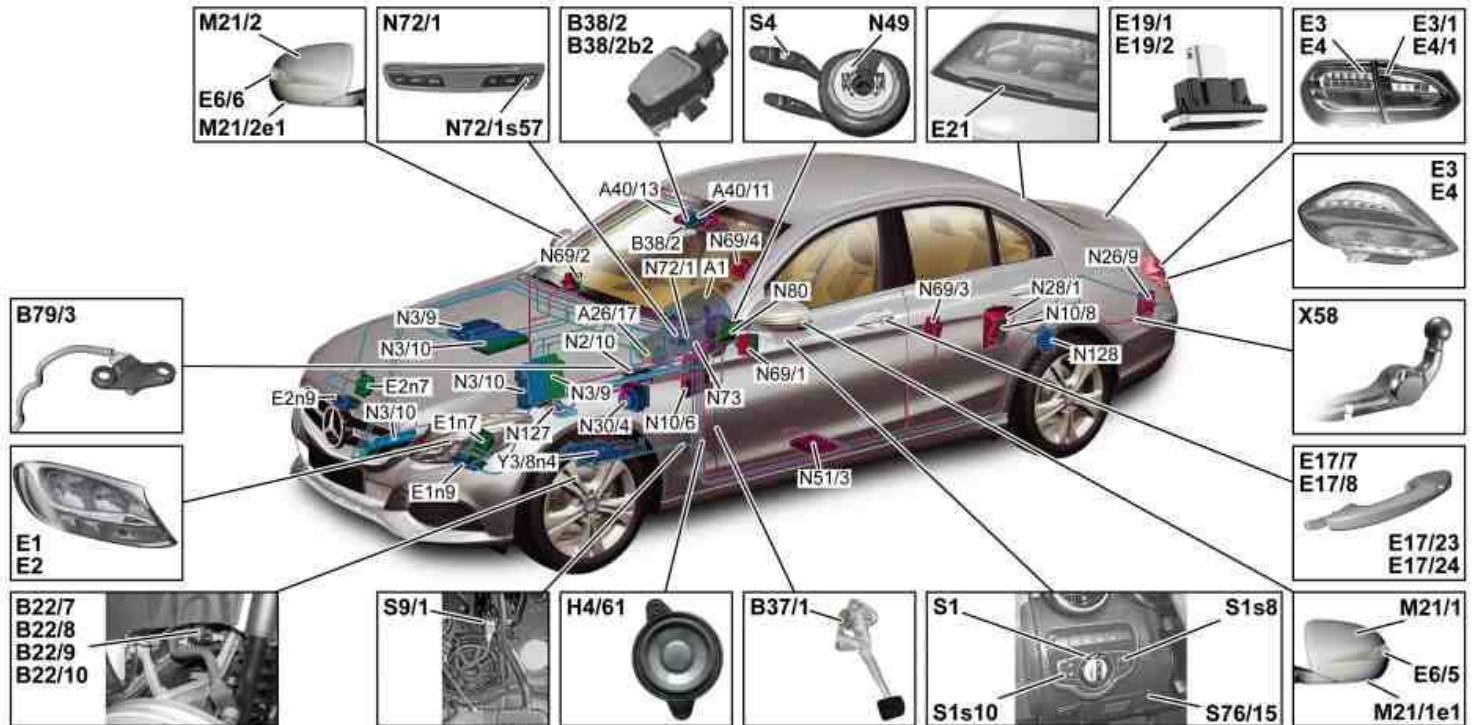
- Code 460 (Canada version)
- Code 494 (USA version)
- Air suspension (model 205 with CODE 483 (ADVANCED AGILITY package) and CODE 489 (AIRmatic), model 253 with CODE 489 (AIR BODY CONTROL))

Vehicle with LED headlamps (dynamic)

- Air suspension (model 205 with CODE 483 (ADVANCED AGILITY package) and CODE 489 (AIRmatic), model 253 with CODE 489 (AIR BODY CONTROL))

"In the following picture legend

P82.10-7227-79



Shown on model 205.0

A1	Instrument cluster	M21/1e1	Left outside mirror ambient lamp (with CODE P49 (Mirror package))
A26/17	Head unit	M21/2	Right outside mirror
A40/11	Mono multifunction camera (with CODE 640 (High-performance LED) or CODE 641 (DYNAMIC LEFT-HAND TRAFFIC LED HEADLAMP) or CODE 642 (DYNAMIC RIGHT-HAND TRAFFIC LED HEADLAMP) and CODE 22P (Lane package))	M21/2e1	Right outside mirror ambient lamp (with CODE P49 (Mirror package))
A40/13	Stereo multifunction camera (with CODE 640 (High-performance LED) or CODE 641 (Dynamic left-hand traffic LED headlamp) or CODE 642 (Dynamic right-hand traffic LED headlamp) and CODE 23P (Driving Assistance package Plus))	N2/10	Supplemental restraint system control unit
B22/7	Left rear level sensor (headlamp range adjustment or air suspension)	N3/9	CDI control unit (diesel engine, located on the left with engine

			626, located on the right with engine 651.9)
B22/8	Left front level sensor (headlamp range adjustment (LED headlamps (dynamic)) or air suspension)	N3/10	ME-SFI [ME] control unit (gasoline engine, located at the front left with engine 177; located at the left with engine 274.9; located at the center with engine 276.8)
B22/9	Right front level sensor (air suspension)	N10/6	Front SAM control unit
B22/10	Right rear level sensor (air suspension)	N10/8	Rear SAM control unit
B37/1	Pedal angle sensor (model 205.012/047/147/212/247, 253.954)	N26/9	Special-purpose vehicle multifunction control unit (model 205 with code 965 (Taxi/rental vehicle preinstallation))
B38/2	Rain/light sensor with additional functions	N28/1	Trailer recognition control unit (with code 550 (Trailer hitch))
B38/2b2	Light sensor	N30/4	Electronic Stability Program control unit
B79/3	Manual transmission main shifter shaft position sensor (transmission 716)	N49	Steering wheel angle sensor
E1	Left front lamp unit	N51/3	AIRmatic control unit (model 205 with air suspension)
E1n7	Left front actuation module, LED exterior lighting (with CODE 640 (High-performance LED) or CODE 641 (DYNAMIC LEFT-HAND TRAFFIC LED HEADLAMP) or CODE 642 (DYNAMIC RIGHT-HAND TRAFFIC LED HEADLAMP))	N51/3	AIR BODY CONTROL control unit (model 253 with air suspension)
E1n9	Left headlamp control unit (with CODE 631 (Static left-hand traffic LED headlamp) or CODE 632 (Static right-hand traffic LED headlamp) or CODE 640 (High-performance LED) or CODE 641 (DYNAMIC LEFT-HAND TRAFFIC LED HEADLAMP) or CODE 642 (DYNAMIC RIGHT-HAND TRAFFIC LED HEADLAMP))	N69/1	Left front door control unit
E2	Right front lamp unit	N69/2	Right front door control unit
E2n7	Right front actuation module, LED exterior lighting (with CODE 640 (High-performance LED) or CODE 641 (DYNAMIC LEFT-HAND TRAFFIC LED HEADLAMP) or CODE 642 (DYNAMIC RIGHT-HAND TRAFFIC LED HEADLAMP))	N69/3	Left rear door control unit (model 205.0/1/2, 253)
E2n9	Right headlamp control unit (with CODE 631 (Static left-hand traffic LED headlamp) or CODE 632 (Static right-hand traffic LED headlamp) or CODE 640 (High-performance LED) or CODE 641 (DYNAMIC LEFT-HAND TRAFFIC LED HEADLAMP) or CODE 642 (DYNAMIC RIGHT-HAND TRAFFIC LED HEADLAMP))	N69/4	Right rear door control unit (model 205.0/1/2, 253)
E3	Left rear lamp unit	N72/1	Upper control panel control unit
E3/1	Inner left rear lamp unit (model 205.2/3/4, 253)	N72/1s57	Hazard warning system button
E4	Right rear lamp unit	N73	Electronic ignition switch control unit
E4/1	Inner right rear lamp unit (model 205.2/3/4, 253)	N80	Steering column module control unit
E6/5	Left outside mirror turn signal lamp	N127	Drivetrain control unit
E6/6	Right outside mirror turn signal lamp	N128	Electric parking brake control unit (engine 177)
E17/7	Left front door outer door handle illumination (with CODE 889 (KEYLESS-GO))	S1	Exterior lights switch
E17/8	Right front door outer door handle illumination (with CODE 889 (KEYLESS-GO))	S1s8	Headlamp range controller (headlamp range adjustment, vehicle with halogen headlamps without air suspension)
E17/23	Left rear door outer door handle illumination (model 205.0/1/2, 253 with CODE 889 (KEYLESS-GO))	S1s10	Rear fog light button
E17/24	Right rear door outer door handle illumination (model 205.0/1/2, 253 with CODE 889 (KEYLESS-GO))	S4	Combination switch
E19/1	Left license plate lamp	S9/1	Brake light switch (except model 205.012/047/147/212/247, 253.954)
E19/2	Right license plate lamp	S76/15	Electric parking brake switch
E21	Center stop lamp	X58	Trailer socket (with CODE 550

H4/61	Instrument cluster speaker	Y3/8n4	(Trailer hitch) Fully integrated transmission control unit (with transmission 724, 722, 725)
M21/1	Left outside mirror		

P82.10-7124-79



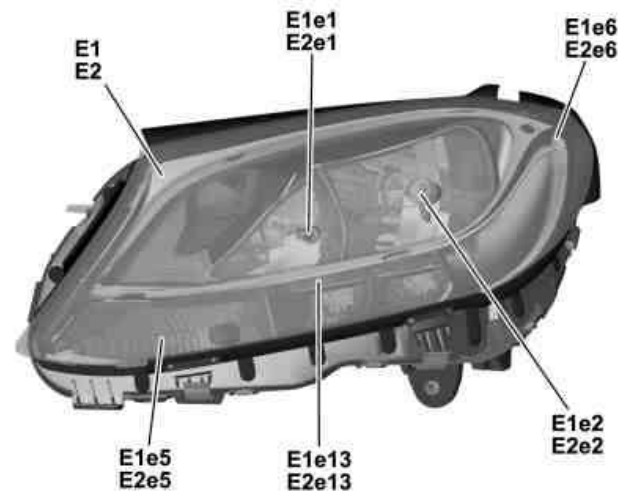
Exterior lights indicators

A1	Instrument cluster	A1e18	Rear fog lamp indicator lamp
A1e1	Left turn signal indicator light	A1e38	Standing lamps indicator lamp
A1e2	Right turn signal indicator light	A1e67	Low beam indicator lamp
A1e3	High beam indicator lamp	A1p13	Multifunction display

Halogen headlamp (except CODE 631 (Static left-hand traffic LED headlamp) and except CODE 632 (Static right-hand traffic LED headlamp) and except CODE 640 (High-performance LED) and except CODE 641 (Dynamic left-hand traffic LED headlamp) and except CODE 642 (Dynamic right-hand traffic LED headlamp)), shown on model 205 with CODE 460 (Canada version) or CODE 494 (USA version)

E1	Left front lamp unit
E1e1	Left high beam
E1e2	Left low beam
E1e5	Left front turn signal lamp
E1e6	Left front side marker light (with CODE 460 (Canada version) or CODE 494 (USA version))
E1e13	Left parking light, standing light and daytime running light
E2	Right front lamp unit
E2e1	Right high beam
E2e2	Right low beam
E2e5	Right front turn signal lamp
E2e6	Right front side marker light (with CODE 460 (Canada version) or CODE 494 (USA version))
E2e13	Right parking light, standing light and daytime running light

P82.10-7233-11



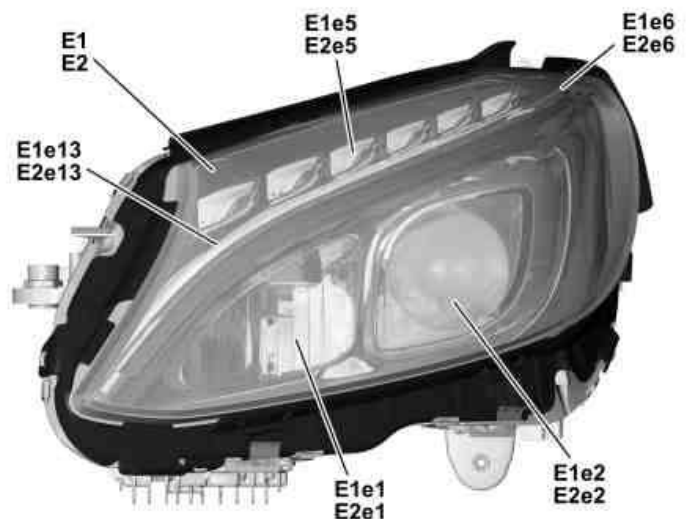
The following components are not shown:

- - Left headlamp range adjustment actuator motor (E1m1) (headlamp range adjustment)
- - Right headlamp range adjustment actuator motor (E2m1) (headlamp range adjustment)

LED headlamp (static) (with CODE 631 (Static left-hand traffic LED headlamp) or CODE 632 (Static right-hand traffic LED headlamp)), shown on model 205 with CODE 460 (Canada version) or CODE 494 (USA version)

E1	Left front lamp unit
E1e1	Left high beam
E1e2	Left low beam
E1e5	Left front turn signal lamp
E1e6	Left front side marker light (with CODE 460 (Canada version) or CODE 494 (USA version))
E1e13	Left parking light, standing light and daytime running light
E2	Right front lamp unit
E2e1	Right high beam
E2e2	Right low beam
E2e5	Right front turn signal lamp
E2e6	Right front side marker light (with CODE 460 (Canada version) or CODE 494 (USA version))
E2e13	Right parking light, standing light and daytime running light

P82.10-7234-11



The following components are not shown:

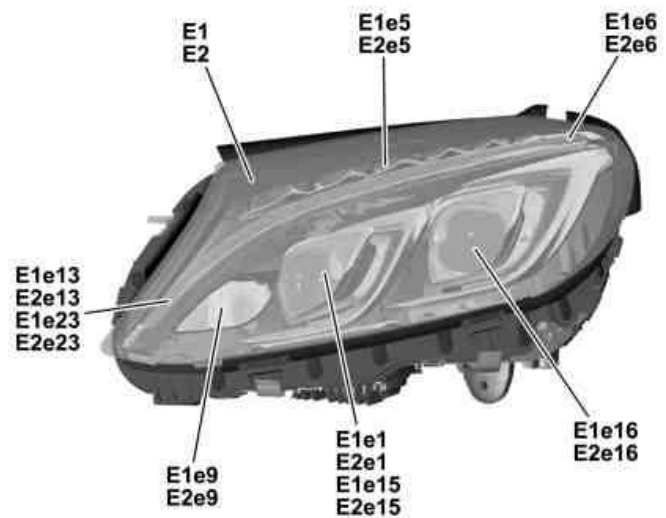
- - Left headlamp range adjustment actuator motor (E1m1) (headlamp range adjustment)
- - Right headlamp range adjustment actuator motor (E2m1) (headlamp range adjustment)

LED headlamp (dynamic), model 205 (with code 640 (High performance LED) or code 641 (Dynamic left-hand traffic LED

headlamp) or code 642 (Dynamic right-hand traffic LED headlamp)), shown with code 460 (Canada version) or code 494 (USA version)

E1	Left front lamp unit
E1e1	Left high beam
E1e5	Left front turn signal lamp
E1e6	Left front side marker light (with CODE 460 (Canada version) or CODE 494 (USA version))
E1e9	Left cornering illumination
E1e13	Left parking light, standing light and daytime running light
E1e15	Left low beam (short range)
E1e16	Left low beam (long range)
E1e23	Left front ambient light (with CODE 641 (DYNAMIC LEFT-HAND TRAFFIC LED HEADLAMP) or CODE 642 (DYNAMIC RIGHT-HAND TRAFFIC LED HEADLAMP))
E2	Right front lamp unit
E2e1	Right high beam
E2e5	Right front turn signal lamp
E2e6	Right front side marker light (with CODE 460 (Canada version) or CODE 494 (USA version))
E2e9	Right cornering illumination
E2e13	Right parking light, standing light and daytime running light
E2e15	Right low beam (short range)
E2e16	Right low beam (long range)
E2e23	Right front ambient light (with CODE 641 (DYNAMIC LEFT-HAND TRAFFIC LED HEADLAMP) or CODE 642 (DYNAMIC RIGHT-HAND TRAFFIC LED HEADLAMP))

P82.10-7235-11



The following components are not shown:

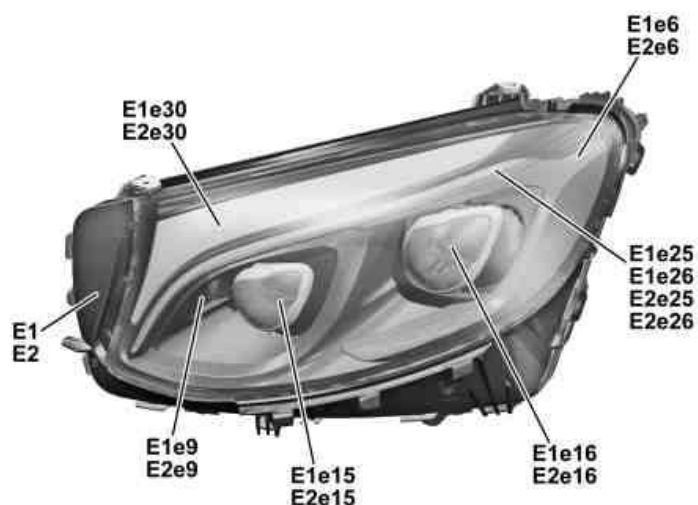
- - Left active curve lights position sensor (E1b1)
- - Left light distribution position sensor (E1b2)
- - Left headlamp range adjustment actuator motor (E1m1)
- - Left active curve illumination actuator motor (E1m2)
- - Left light distribution actuator motor (E1m3)
- - Fan motor 1 for left front lamp unit (E1m4)
- - Fan motor 2 for left front lamp unit (E1m5)
- - Right active curve lights position sensor (E2b1)
- - Right light distribution position sensor (E2b2)
- - Right headlamp range adjustment actuator motor (E2m1)
- - Right active curve illumination actuator motor (E2m2)
- - Right light distribution actuator motor (E2m3)
- - Fan motor 1 for right front lamp unit (E2m4)
- - Fan motor 2 for right front lamp unit (E2m5)

LED headlamp (dynamic), model 253 (with code 640 (High performance LED) or code 641 (Dynamic left-hand traffic LED headlamp) or code 642 (Dynamic right-hand traffic LED headlamp)), shown with code 460 (Canada version) or code 494 (USA version)

E1	Left front lamp unit
E1e6	Left front side marker light (with CODE 460 (Canada version) or CODE 494 (USA version))

E1e9	Left cornering illumination
E1e15	Left low beam (short range)
E1e16	Left low beam (long range)
E1e25	Left position light, daytime running light, and turn signal light (except Economic Commission for Europe (ECE) vehicles)
E1e26	Left position light, daytime running light, turn signal light and ambient light (ECE vehicles)
E1e30	Left front position light 2
E2	Right front lamp unit
E2e6	Right front side marker light (with CODE 460 (Canada version) or CODE 494 (USA version))
E2e9	Right cornering illumination
E2e15	Right low beam (short range)
E2e16	Right low beam (long range)
E2e25	Right position light, daytime running light and turn signal light (except ECE vehicles)
E2e26	Right position light, daytime running light, turn signal light and ambient light (ECE vehicles)
E2e30	Right front position light 2

P82.10-7942-11



The following components are not shown:

- - Left active curve lights position sensor (E1b1)
- - Left light distribution position sensor (E1b2)
- - Left headlamp range adjustment actuator motor (E1m1)
- - Left active curve illumination actuator motor (E1m2)
- - Left light distribution actuator motor (E1m3)
- - Fan motor 1 for left front lamp unit (E1m4)
- - Fan motor 2 for left front lamp unit (E1m5)

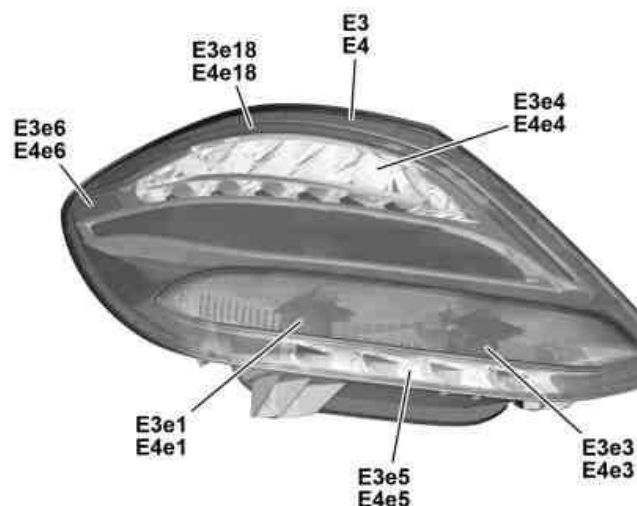
- - Right active curve lights position sensor (E2b1)
- - Right light distribution position sensor (E2b2)
- - Right headlamp range adjustment actuator motor (E2m1)
- - Right active curve illumination actuator motor (E2m2)
- - Right light distribution actuator motor (E2m3)
- - Fan motor 1 for right front lamp unit (E2m4)
- - Fan motor 2 for right front lamp unit (E2m5)

Rear lamp unit, model 205.0/1 (except CODE 631 (Static left-hand traffic LED headlamp) and except CODE 632 (Static right-hand traffic LED headlamp) and except CODE 640 (High-performance LED) and except CODE 641 (Dynamic left-hand traffic LED headlamp) and except CODE 642 (Dynamic right-hand traffic LED headlamp))

E3	Left rear lamp unit
E3e1	Left rear turn signal light (except CODE 460 (Canada version) and except CODE 494 (USA version))
E3e3	Left backup lamp
E3e4	Left stop lamp
E3e5	Left rear fog lamp
E3e6	Left side marker light (with CODE 460 (Canada version) or CODE 494 (USA version))
E3e18	Left taillamp
E4	Right rear lamp unit
E4e1	Right rear turn signal light (except CODE 460 (Canada version) and except CODE 494 (USA version))
E4e3	Right backup lamp

E4e4	Right stop lamp
E4e5	Right rear fog lamp
E4e6	Right side marker light (with CODE 460 (Canada version) or CODE 494 (USA version))
E4e18	Right taillamp

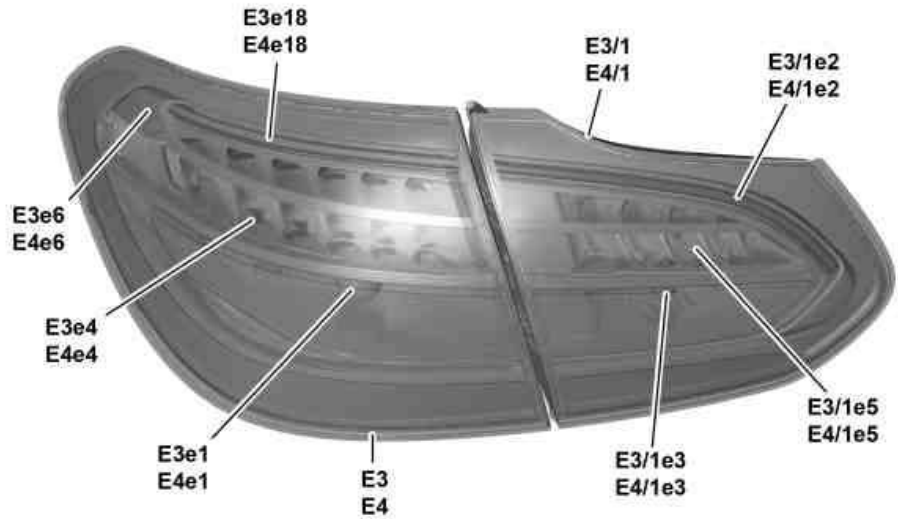
P82.10-7119-11



Rear lamp unit, model 205.2, 253.9, shown on model 205.2 except code 631 (Static left-hand traffic LED headlamp) and except code 632 (Static right-hand traffic LED headlamp) and except code 640 (High performance LED) and except code 641 (Dynamic left-hand traffic LED headlamp) and except code 642 (Dynamic right-hand traffic LED headlamp)

E3	Left rear lamp unit
E3e1	Left rear turn signal light (except CODE 460 (Canada version) and except CODE 494 (USA version))
E3e4	Left stop lamp
E3e6	Left side marker light (with CODE 460 (Canada version) or CODE 494 (USA version))
E3e18	Left taillamp
E3/1	Inner left rear lamp unit
E3/1e2	Left inside taillight
E3/1e3	Left backup lamp
E3/1e5	Left rear fog lamp
E4	Right rear lamp unit
E4e1	Right rear turn signal light (except CODE 460 (Canada version) and except CODE 494 (USA version))
E4e4	Right stop lamp
E4e6	Right side marker light (with CODE 460 (Canada version) or CODE 494 (USA version))
E4e18	Right taillamp
E4/1	Inner right rear lamp unit
E4/1e2	Right inside taillight
E4/1e3	Right backup lamp
E4/1e5	Right rear fog lamp

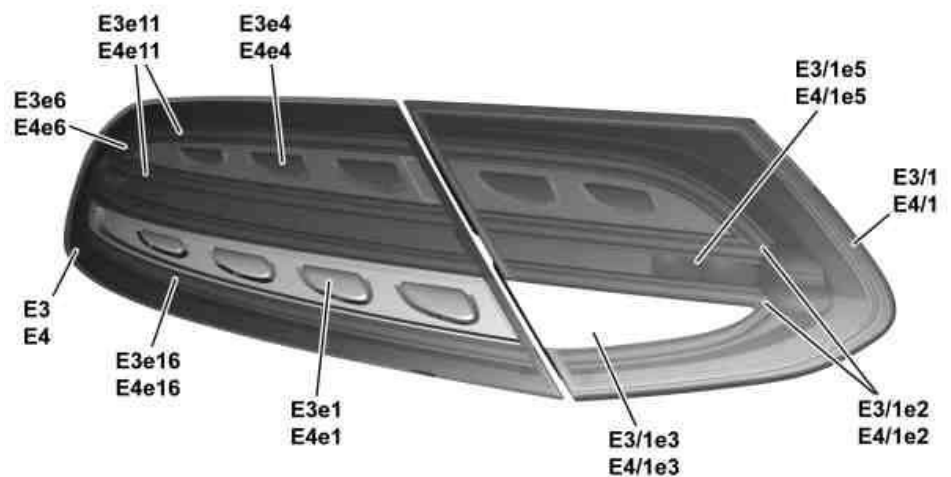
P82.10-7552-05



Rear lamp unit, model 205.3/4

E3	Left rear lamp unit
E3e1	Left rear turn signal light (except CODE 460 (Canada version) and except CODE 494 (USA version))
E3e4	Left stop lamp
E3e6	Left side marker light (with CODE 460 (Canada version) or CODE 494 (USA version))
E3e11	Outer left brake light and taillight
E3/1	Inner left rear lamp unit
E3/1e2	Left inside taillight
E3/1e3	Left backup lamp
E3/1e5	Left rear fog lamp
E4	Right rear lamp unit
E4e1	Right rear turn signal light (except CODE 460 (Canada version) and except CODE 494 (USA version))
E4e4	Right stop lamp
E4e6	Right side marker light (with CODE 460 (Canada version) or CODE 494 (USA version))
E4e11	Outer right brake light and taillight
E4/1	Inner right rear lamp unit
E4/1e2	Right inside taillight
E4/1e3	Right backup lamp
E4/1e5	Right rear fog lamp

P82.10-8006-05

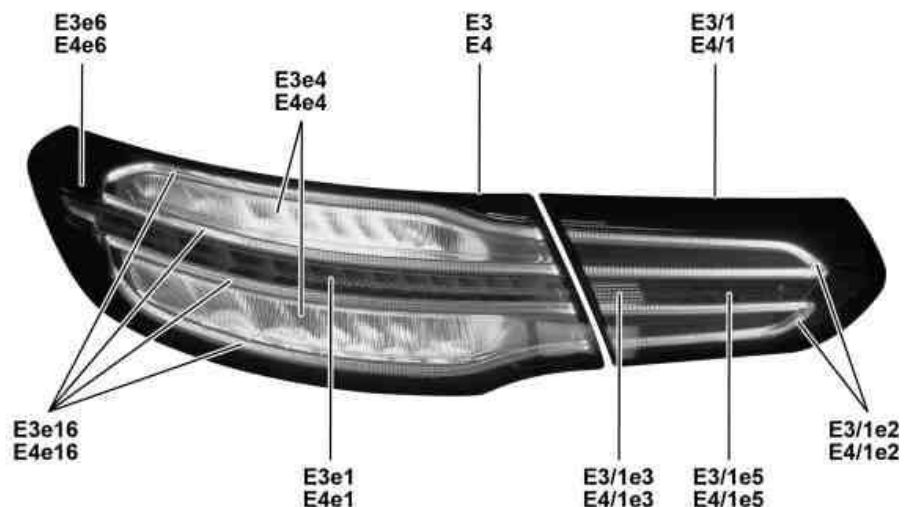


Type 253.3

E3	Left rear lamp unit
E3e1	Left rear turn signal light (except CODE 460 (Canada version), except CODE 494 (USA version))

E3e4	Left stop lamp
E3e6	Left side marker light (with CODE 460 (Canada version) or CODE 494 (USA version))
E3e16	Outer left taillight
E3/1	Inner left rear lamp unit
E3/1e2	Left inside taillight
E3/1e3	Left backup lamp
E3/1e5	Left rear fog lamp
E4	Right rear lamp unit
E4e1	Right rear turn signal light (except CODE 460 (Canada version), except CODE 494 (USA version))
E4e4	Right stop lamp
E4e6	Right side marker light (with CODE 460 (Canada version) or CODE 494 (USA version))
E4e16	Outer right taillight
E4/1	Inner right rear lamp unit
E4/1e2	Right inside taillight
E4/1e3	Right backup lamp
E4/1e5	Right rear fog lamp

P82.10-7570-05



Component description for instrument cluster	A1	<ul style="list-style-type: none"> Component description for instrument cluster
Head unit, component description	<p>Model 205 with code 520 (Audio 20 USB) except code 522 (Audio 20 radio) except code 531 (COMAND APS)</p> <p>Model 253 with code 520 (Audio 20 USB) except code 522 (Audio 20 radio) except code 531 (COMAND APS)</p> <p>A26/17</p>	<ul style="list-style-type: none"> Head unit, component description
	<p>Model 205 with code 522 (Audio 20 radio) except code 520 (Audio 20 USB) except code 531 (COMAND APS)</p> <p>Model 253 with code 522 (Audio 20 radio) except code 520 (Audio 20 USB) except code 531 (COMAND APS)</p> <p>A26/17</p>	<ul style="list-style-type: none"> Head unit, component description
	<p>Model 205 with code 531 (COMAND APS) except code 520 (Audio 20 USB) except code 522 (Audio 20 radio)</p> <p>Model 253 with code 531 (COMAND APS) except code 520 (Audio 20 USB) except code 522 (Audio 20 radio)</p> <p>A26/17</p>	<ul style="list-style-type: none"> Head unit, component description

Component description for multifunction camera	Model 205, 253 with code 640 (High-performance LED) Model 205, 253 with code 641 (Dynamic LED headlamps, left-hand traffic) Model 205, 253 with code 642 (Dynamic LED headlamps, right-hand traffic) A40/11, A40/13	Component description for multifunction camera
Rain/light sensor with additional functions, component description	B38/2	Rain/light sensor with additional functions, component description
Actuation module, LED exterior lighting, front, component description	Model 205, 253 with code 640 (High-performance LED) Model 205, 253 with code 641 (Dynamic LED headlamps, left-hand traffic) Model 205, 253 with code 642 (Dynamic LED headlamps, right-hand traffic) E1n7, E2n7	Actuation module, LED exterior lighting, front, component description
Headlamp control unit, component description	Model 205, 253 with code 631 (Static LED headlamps, left-hand traffic) Model 205, 253 with code 632 (Headlamps, LED, static, right-side traffic) Model 205, 253 with code 640 (High-performance LED) Model 205, 253 with code 641 (Dynamic LED headlamps, left-hand traffic) Model 205, 253 with code 642 (Dynamic LED headlamps, right-hand traffic) E1n9, E2n9	Headlamp control unit, component description
Supplemental restraint system control unit, component description	N2/10	Supplemental restraint system control unit, component description
Component description for CDI control unit	Model 205 (except 205.012/212) with engine 651.9 with code 494 (US version) Model 253 with engine 651 N3/9	Component description for CDI control unit
	Model 205 (except 205.012/212) with engine 651 except code 494 (US version) N3/9	Component description for CDI control unit
	Model 205.012/212 with engine 651.9 N3/9	Component description for CDI control unit
	Model 205 with engine 626 N3/9	Component description for CDI control unit
Component description for ME-SFI (ME) control unit	Model 205 with engine 177.9 N3/10	Component description for ME-SFI (ME) control unit
	Model 205 (except 205.047/147/247), 253 (except 253.954) with engine 274.9 N3/10	Component description for ME-SFI (ME) control unit
	Model 205.047/147/247, 253.954 with engine 274.9 N3/10	Component description for ME-SFI (ME) control unit
	Model 205 with engine 276.8 N3/10	Component description for ME-SFI (ME) control unit
Component description for front SAM control unit	N10/6	Component description for front SAM control unit
Component description for rear SAM control unit	N10/8	Component description for rear SAM control unit
Special vehicle multifunction control unit (SVMCU (MSS)), component description	Model 205 with code 965 (Preinstallation for hire car) N26/9	Special vehicle multifunction control unit (SVMCU (MSS)), component description
Component description for trailer	Model 205, 253	Component description for trailer

recognition control unit	with code 550 (Trailer coupling) N28/1	recognition control unit
Component description for Electronic Stability Program control unit	Model 205 (except 205.012/047/147/212/247), 253 (except 253.354/954) N30/4	■ Component description for Electronic Stability Program control unit
	Model 205.012/047/147/212/247, 253.354/954 N30/4	■ Component description for Electronic Stability Program control unit
AIRMATIC control unit, component description	Model 205 with code 483 (ADVANCED AGILITY package) with code 489 (AIRMATIC) N51/3	■ AIRMATIC control unit, component description
AIR BODY CONTROL control unit, component description	Model 253 with code 489 (AIR BODY CONTROL) N51/3	■ AIR BODY CONTROL control unit, component description
Component description for left front door control unit	N69/1	■ Component description for left front door control unit
Component description for right front door control unit	N69/2	■ Component description for right front door control unit
Component description for rear door control unit	Model 205.0/1/2, 253 N69/3, N69/4	■ Component description for rear door control unit
Upper control panel control unit, component description	N721, N72/1s57	■ Upper control panel control unit, component description
Component description for the electronic ignition lock control unit	N73	■ Component description for the electronic ignition lock control unit
Component description for steering column tube module control unit	N80	■ Component description for steering column tube module control unit
Drivetrain control unit, component description	Model 205 with engine 177.9 N127	■ Drivetrain control unit, component description
	Model 205 (except 205.047/147/247), 253 (except 253.954) with engine 274.9 N127	■ Drivetrain control unit, component description
	Model 205.047/147/247, 253.954 with engine 274.9 N127	■ Drivetrain control unit, component description
	Model 205 with engine 276.8 N127	■ Drivetrain control unit, component description
	Model 205 with engine 626 N127	■ Drivetrain control unit, component description
	Model 205 (except 205.012/212), 253 with engine 651.9 N127	■ Drivetrain control unit, component description
	Model 205.012/212 with engine 651.9 N127	■ Drivetrain control unit, component description
Electric parking brake control unit, component description	Model 205 with code 990 (AMG vehicles) N128	■ Electric parking brake control unit, component description
Component description for fully integrated transmission control unit	Model 205 with transmission 722.9 (except 722.930) Y38n4	■ Component description for fully integrated transmission control unit
	Model 205 with transmission 722.930 Y38n4	■ Component description for fully integrated transmission control unit
	Model 205 with transmission 724.2 Y38n4	■ Component description for fully integrated transmission control unit
	Model 205 with transmission 725.0 Y38n4	■ Component description for fully integrated transmission control unit
	Model 253 with transmission 725.0 Y38n4	■ Component description for fully integrated transmission control unit
Table of contents for function description of exterior lights		■ Table of contents for function description of exterior lights