

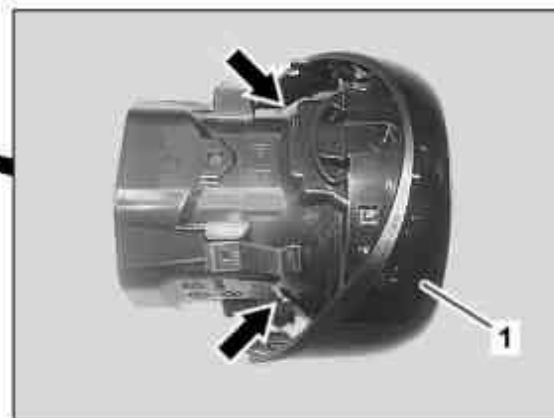
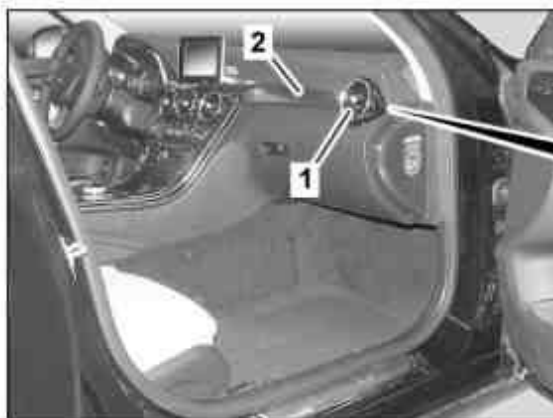
AR83.10-P-4502LW	Remove/install right air nozzle	21.01.2016
------------------	---------------------------------	------------

Model	205
Model	213
Model	253

Shown on model 205.### 1#

1	Right side vent
2	Instrument panel

P83.10-2875-04



	Remove/install		
1	Adjust the steering column backwards and downwards into its final position	Model 205.### 2# , 213.### 2# , 253.### 2#	
2	Insert extraction hook into side notches (arrows) of right side air vent (1) and pull right side air vent (1) out of instrument panel (2)	Installation: "Make sure that ""TOP"" marking on right side air vent (1) is pointing upwards."	
		Extraction hook	*140589023300
3	Install in the reverse order		

Extraction hook

140 589 02 33 00

