

# C-Class Sedan



W205

Model Year 2020

**Preliminary – Subject to Change**

Mercedes-Benz

The best or nothing.

*Mercedes-Benz USA*



*C-Class Sedan MY20*



## *Important note*

The information presented in this guide is based on the most current information available and is intended for internal use only. Mercedes-Benz reserves the right to make changes at any time, without notice, to colors, materials, equipment, special specifications and models.

Pricing may not yet be finalized for some models or options.

Due to variances among monitors and printers the colors that appear on your screen and printouts may not be exact.

For illustrative purposes, some images may show vehicles with European Specification.

## *Revision History*

<i>Date</i>	<i>Changes</i>
2/25/2019	Initial Publication
3/25/2019	Initial Publication including AMG's
4/16/2019	- AMG: Graphite Grey Metallic (831) no longer available - Rear Cross-Traffic Alert included in Parking Assistance Package (DA3)
5/2/2019	- C350WE and C350WE4 cancelled.
5/15/2019	- Added MSRPs for Mercedes-Benz and Mercedes-AMG models
6/7/2019	- Updated pricing for options and packages for Mercedes-Benz models
6/21/2019	- Upholstery AMG Silk Beige/Black MB-Tex (145) has delayed availability.
7/11/2019	- Added "What's New" page for updated package/accessory codes



## *C300 & C300 4MATIC*

---



Models



What's new



Standard Equipment



Exterior Paint Colors



Wheels



Interior Upholstery



Interior Trims



Option Packages



Stand-Alone Options



Options in Detail



Specifications



## ***C 300***

***C300W - 205.083***

- MSRP \$41,400
- 2.0L inline-4 turbo engine
- 9-Speed Automatic Transmission
- 255 hp
- 273 lb-ft
- 5.9 sec (0-60 mph)
- Launch date: Early Fall 2019



## ***C 300 4MATIC***

***C300W4 - 205.084***

- MSRP \$43,400
- 2.0L inline-4 turbo engine
- 9-Speed Automatic Transmission
- 255 hp
- 273 lb-ft
- 5.9 sec (0-60 mph)
- Launch date: Early Fall 2019





## *Standard Equipment*

- 10.25" Center Display (859), previously standalone and in Multimedia Package (DA5), now standard
- 18" Twin 5-Spoke (22R) now standard
- Blind Spot Assist (234), previously in Premium Package (DP1), now standard
- KEYLESS-GO (889), previously in Premium Package (DP1), now standard
- HANDS-FREE ACCESS, previously in Premium Package (DP1), now standard
- Electronic Trunk Closer, previously in Premium Package (DP1), now standard

## *Optional Equipment/Paints/Upholstery*

- 3-Zone Climate Control now available (581)
- Emerald Green Metallic (989) discontinued
- *designo* Saddle Brown Leather interior (P87) discontinued
- Leather Seating Package (318) discontinued. Package components now available as separate standalone options (242 3-Stage Passenger Seat Memory with Adjustable Thigh Support and leather upholstery)
- Premium Package (DP1) now consists of SiriusXM® (536), Burmester Surround Sound System (810), and 64-Color Ambient Lighting with Illuminated Door Sills (877/U25)



## 3-Zone Climate Control (581)



### **3-Zone Climate Control**

*Available for all models*

The automatic climate control system with 3 climate zones and 3 airflow modes provides additional levels of comfort and control to C-Class passengers. The driver and the front passenger are able to regulate temperature and air distribution independently of one another. Temperature and airflow for the rear can be adjusted separately as the 3<sup>rd</sup> zone.

#### **Overview of the 3-Zone automatic climate control:**

- Three climate zones with individual temperature controls (driver's side, front passenger side and rear)
- Automatic control of temperature, air distribution and airflow
- Air distribution for driver and front passenger sides individually and separately adjustable
- 3 airflow modes for setting the airflow – diffuse, medium or focused
- Indirect ventilation for the passenger compartment in the dashboard
- Sensors keep the climate constant at the desired level for each zone
- Constant monitoring of incoming air for harmful gasses with automatic air recirculation setting
- A fine-particle activated charcoal filter improves the air quality in the vehicle. It filters dust, soot, and pollen from the air and also reduces pollutants and unpleasant odors
- Dew point sensors prevent the windows from fogging up and ensure energy-efficient air conditioning
- Rear control unit for regulating temperature and airflow in the rear
- Rear center vents with rear booster fan



## *New Codes for Packages and Accessories*

### PACKAGE CODES

Old Code	New Code	Description
P01	DP1	Premium Package
320	DA5	Multimedia Package
319	DA4	Exterior Lighting Package
996	DA3	Parking Assistance Package
997	DA2	Driver Assistance Package
321	DG3	AMG Line
521	DC1	Night Package
P62	DD1	<i>designo</i> Platinum White/Black

### ACCESSORY CODES

Old Code	New Code	Description
00A	D03	Illuminated Star
068	D07	Wheel Locking Bolts
070	D08	Door Handle Inserts, Chrome
104	D10	Rear Spoiler, Body Color
11A	D12	Mirror Housing Covers, Black
21A	D21	Rear Spoiler, Black
15A	D16	LED Logo Projectors
16A	D17	Mirror Housing Covers, Carbon Style
18A	D18	Front Trim, Chrome
19A	D19	Rear Trim, Chrome
26A	D22	MB Entry Navigation



## *Performance & Handling*

- 2.0L inline-4 turbo engine
- 9G-TRONIC 9-Speed Automatic Transmission
- Multi-Link Front Suspension
- Multi-Link Independent Rear Suspension
- All-Season Tires
- ECO Start/Stop Technology
- 18" Wheels with Adaptive Braking Technology
- DYNAMIC SELECT

## *Comfort & Convenience*

- LED Headlamps & Taillamps
- Smartphone Integration
- KEYLESS-GO®
- KEYLESS-START
- HANDS-FREE ACCESS
- Electronic Trunk Closer
- Blind Spot Assist
- Power sunroof
- 10.25" high-resolution center display
- Power front seats with driver-seat memory
- 4-way power driver's lumbar support
- Wood Trim with Analog Clock
- FrontBass® 5-Speaker Audio System
- Two USB ports
- Power tilt & telescoping steering column
- Power windows with express-up/down
- Automatic light-sensing headlamps
- 40/20/40-split folding rear seats
- Multifunction Leather Steering Wheel w/ Haptic Touchpads
- Dual-Zone Climate Control
- Rain-sensing windshield wipers
- Electronic Cruise Control
- Power-Folding Side Mirrors
- Extendable sun visors
- Rearview camera
- HD Radio™
- Bluetooth technology (for hands-free calling/audio streaming)

## *Safety & Security*

- New vehicle 4-year/50,000 mile warranty
- 24h Roadside Assistance Program
- 3-Point Seat Belt with Pretensioners & Adaptive Belt Force Limiter
- Front Dual-Stage Air Bags
- Front and Rear Side Window Air Bags
- Front Side Air bags
- Driver Knee Air Bag
- LATCH/ISOFIX Child Restraint System for Rear Seats
- ATTENTION ASSIST®
- Active Brake Assist
- PRE-SAFE®
- SmartKey
- Tire Pressure Monitoring System (TPMS)
- Antitheft alarm



# Exterior Paint Colors



## Non-metallic Paints



040  
Black  
*Option price: \$0*



149  
Polar White  
*Option price: \$0*

## Metallic Paints



197  
Obsidian Black  
*Option price: \$720*



775  
Iridium Silver  
*Option price: \$720*



859  
Mojave Silver  
*Option price: \$720*



890  
Lunar Blue  
*Option price: \$720*



896  
Brilliant Blue  
*Option price: \$720*



992  
Selenite Grey  
*Option price: \$720*

## *designo* Paints *designo* Paints



996  
Cardinal Red Metallic  
*Option price: \$1,080*



799  
Diamond White Metallic  
*Option price: \$1,515*



R43  
17" Twin 5-Spoke  
R02, R66  
*Option price: \$0*



22R  
18" Twin 5-Spoke  
R02, R66  
*Option price: \$0*  
*Standard*



R86  
18" Multispoke w/ Black Accents  
R02, R66  
*Option price: \$200*



RSJ  
18" AMG 5-Spoke  
R02, R66  
*Option price: \$0*  
*Requires AMG Line (DG3)*



RSK  
18" AMG 5-Spoke w/  
Black Accents  
R02, R66  
*Option price: \$0*  
*Requires Night Package (DC1)*



788  
19" AMG Multispoke  
R01, R66  
*Option price: \$500*  
*Requires AMG Line (DG3)*



665  
19" AMG Multispoke  
w/ Black Accents  
R01, R66  
*Option price: \$500*  
*Requires Night Package (DC1)*



604  
19" AMG Twin 5-Spoke w/  
Black Accents  
R01, R66  
*Option price: \$500*  
*Requires Night Package (DC1)*



<i>Code</i>	<i>Wheel Size</i>	<i>Description</i>	<i>Wheel Dimensions</i>	<i>Mobility</i>	<i>MSRP</i>
R43	17"	Twin 5-Spoke Wheel	225/50 R17 on 7 J x 17 ET 48.5	R02, R66	\$ 0
22R	18"	Twin 5-Spoke Wheel	225/45 R18 on 7.5 J x 18 ET 44 (Front) 245/40 R18 on 8.5 J x 18 ET 56 (Rear)	R02, R66	\$ 0 <i>Standard</i>
R86	18"	Multispoke Wheel w/ Black Accents	225/45 R18 on 7.5 J x 18 ET 44 (Front) 245/40 R18 on 8.5 J x 18 ET 56 (Rear)	R02, R66	\$ 200
RSJ	18"	AMG 5-Spoke Wheel	225/45 R18 on 7.5 J x 18 ET 44 (Front) 245/40 R18 on 8.5 J x 18 ET 49 (Rear)	R02, R66	\$ 0 <i>Requires AMG Line (DG3)</i>
RSK	18"	AMG 5-Spoke Wheel w/ Black Accents	225/45 R18 on 7.5 J x 18 ET 44 (Front) 245/40 R18 on 8.5 J x 18 ET 49 (Rear)	R02, R66	\$ 0 <i>Requires Night Package (DC1)</i>
788	19"	AMG Multispoke Wheel	225/40 R19 on 7.5 J x 19 ET 44 (Front) 255/35 R19 on 8.5 J x 19 ET 52 (Rear)	R01, R66	\$ 500 <i>Requires AMG Line (DG3)</i>
665	19"	AMG Multispoke Wheel w/ Black Accents	225/40 R19 on 7.5 J x 19 ET 44 (Front) 255/35 R19 on 8.5 J x 19 ET 52 (Rear)	R01, R66	\$ 500 <i>Requires Night Package (DC1)</i>
604	19"	AMG Twin 5-Spoke Wheels w/ Black Accents	225/40 R 19 on 7.5 J x 19 ET 44 (Front) 255/35 R 19 on 8.5 J x 19 ET 52 (Rear)	R01, R66	\$ 500 <i>Requires Night Package (DC1)</i>



101  
Black

Option price: \$0

Not available with AMG Line (DG3)



115  
Silk Beige

Option price: \$0

Not available with AMG Line (DG3)



138  
Magma Grey

Option price: \$0

Not available with AMG Line (DG3)



141  
AMG Black

Option price: \$0

Requires AMG Line (DG3)



144  
AMG Saddle Brown

Option price: \$0

Requires AMG Line (DG3)



145  
AMG Silk Beige

Option price: \$0

Requires AMG Line (DG3)

# Interior Upholstery – Leather



201  
Black

*Not available with AMG Line (DG3)*



215  
Silk Beige

*Not available with AMG Line (DG3)*



228  
Magma Grey

*Not available with AMG Line (DG3)*



251  
AMG Black

*Requires AMG Line (DG3)*



267  
AMG Cranberry Red

*Requires AMG Line (DG3)*



255  
AMG Silk Beige

*Requires AMG Line (DG3)*





264

AMG Saddle Brown

*Requires AMG Line (DG3)*





975

Two-Tone Platinum White Pearl & Black  
*Requires **designo** Package (DD1)*





51U

Black Fabric Headliner

*Option price: \$0*

*Available with all interiors*



55U

Porcelain Fabric Headliner

*Option price: \$0*

*Available only with Silk Beige MB-Tex (115)  
or Silk Beige Leather (215)*



58U

Crystal Grey Fabric Headliner

*Option price: \$0*

*Available only with Black MB-Tex (101), Magma Grey MB-Tex (138), Black Leather (201) or Magma Grey Leather (228)*

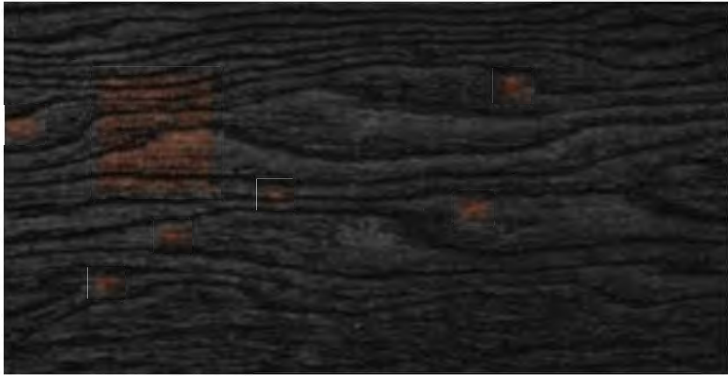




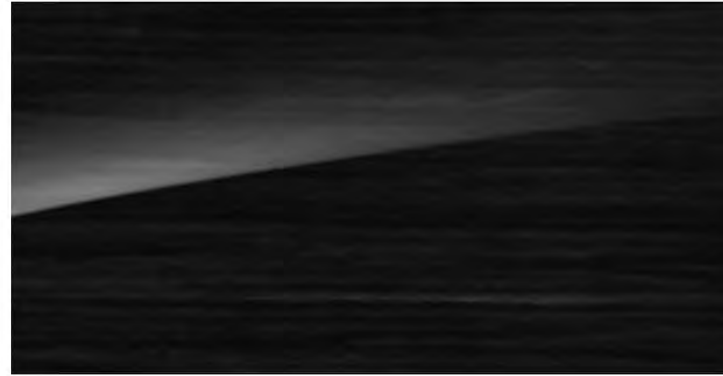
# Interior Upholstery



<i>Code</i>	<i>Upholstery</i>	<i>Seats</i>	<i>Floor Mats</i>	<i>Upper Dash/Lower Dash</i>	<i>Seat Belts</i>	<i>Steering Wheel</i>	<i>Headliner</i>
101	Black MB-Tex	Black	Black	Black/Black	Black	Black	Crystal Grey or Black
115	Silk Beige MB-Tex	Beige	Black	Black/ Silk Beige	Black	Black	Porcelain or Black
138	Magma Grey MB-Tex	Magma Grey	Black	Black/Black	Black	Black	Crystal Grey or Black
141	AMG Black MB-Tex	Black	Black	Black/Black	Black	Black	Black
144	AMG Saddle Brown MB-Tex	Saddle Brown	Black	Black/Black	Black	Black	Black
145	AMG Silk Beige MB-Tex	Silk Beige	Black	Black/Black	Black	Black	Black
201	Black Leather	Black	Black	Black/Black	Black	Black	Crystal Grey or Black
215	Silk Beige Leather	Beige	Black	Black/ Silk Beige	Black	Black	Porcelain or Black
228	Magma Grey Leather	Magma Grey	Black	Black/Black	Black	Black	Crystal Grey or Black
251	AMG Black Leather	Black	Black	Black/Black	Black	Black	Black
255	AMG Silk Beige Leather	Silk Beige	Black	Black/Black	Black	Black	Black
264	AMG Saddle Brown Leather	Saddle Brown	Black	Black/Black	Black	Black	Black
267	AMG Cranberry Red Leather	Cranberry Red	Black	Black/Black	Black	Black	Black
975	Platinum White Pearl/ Black Nappa Leather	Platinum White Pearl/Black	Black w/ White Piping	Black MB-Tex/Black	Black	Black	Black
974	Saddle Brown/ Black Nappa Leather	Saddle Brown	Black w/ Brown Piping	Black MB-Tex/Black	Black	Black	Black



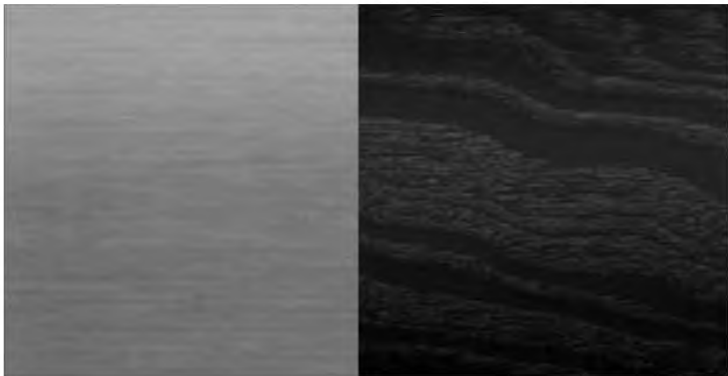
H09  
Natural Grain Brown Ash Wood trim  
*Option price: \$0*



H07  
Dark Brown Linden Wood Trim  
*Option price: \$0*



H31  
Natural Grain Grey Oak Wood Trim  
*Option price: \$0*



737 + 739  
Natural Grain Black Ash Wood Console and Brushed  
Aluminum Door Trim  
*Option price: \$0*



H33  
Natural Grain Walnut Wood Trim  
*Option price: \$0*



# Option Packages



<i>Code</i>	<i>Packages</i>	<i>Availability</i>	<i>MSRP</i>
DP1	<b>Premium Package</b> <ul style="list-style-type: none"><li>▪ 536 – SiriusXM® Satellite Radio</li><li>▪ 810 – Burmester® Surround Sound System</li><li>▪ 877 – 64-Color Ambient Lighting</li><li>▪ U25 – Illuminated Door Sills</li></ul>	All Models	\$ 1,500
DA4	<b>Exterior Lighting Package</b> <ul style="list-style-type: none"><li>▪ 608 – Adaptive Highbeam Assist</li><li>▪ 640 –LED Intelligent Light System</li></ul>	All Models	\$ 900
DA5	<b>Multimedia Package</b> <i>Requires Premium Package (DP1)</i> <ul style="list-style-type: none"><li>▪ 531 – COMAND® Navigation with Voice Control</li><li>▪ 448 – Touchpad</li><li>▪ 502 – Navigation Map Updates for First Three Years</li></ul>	All Models	\$ 2,300
DA3	<b>Parking Assistance Package</b> <ul style="list-style-type: none"><li>▪ 235 – PARKTRONIC with Active Parking Assist</li><li>▪ 501 – Surround View System</li><li>▪ 852 – Parking Damage Detection</li><li>▪ Rear Cross-Traffic Alert</li></ul>	All Models	\$ 1,150



<i>Code</i>	<i>Packages</i>	<i>Availability</i>	<i>MSRP</i>
DG3	<p><b>AMG Line</b></p> <p><i>When ordered with Heated Steering Wheel (443), the flat-bottom steering wheel is replaced with a round steering wheel</i></p> <ul style="list-style-type: none"> <li>▪ 772 – AMG Body Styling</li> <li>▪ P29 – AMG Line Interior incl. flat-bottom steering wheel, AMG floor mats, and brushed aluminum sport pedals w/ rubber studs</li> <li>▪ P31 – AMG Line Exterior incl. braking system with perforated front discs and Mercedes-Benz lettered brake calipers</li> <li>▪ 51U – Black Fabric Headliner</li> <li>▪ 5U4 – Diamond Grille</li> <li>▪ 486 – Sport Suspension with Sport Steering System</li> <li>▪ Choice of spoiler (D10, D20, D21)</li> </ul>	All Models	\$ 2,350
DC1	<p><b>Night Package</b></p> <p><i>Requires AMG Line (DG3)</i></p> <ul style="list-style-type: none"> <li>▪ P55 – Night Package code</li> <li>▪ High-gloss black elements: front splitter, grille trim, rear diffuser, side mirrors, window trim, side skirts</li> <li>▪ Wheel Choice of:                             <ul style="list-style-type: none"> <li>▪ RSK - 18" AMG 5-Spoke Wheels w/ Black Accents with all-season, run-flat tires</li> <li>▪ 665 – 19" AMG Multispoke Wheels w/ Black Accents with performance, run-flat tires (+\$500)</li> <li>▪ 604 – 19" AMG Twin 5-Spoke Wheels w/ Black Accents with performance, run-flat tires (+\$500)</li> </ul> </li> </ul>	All Models	\$ 400



<i>Code</i>	<i>Packages</i>	<i>Availability</i>	<i>MSRP</i>
DA2	<p><b>Driver Assistance Package</b>  <i>Requires Multimedia Package (DA5)</i></p> <ul style="list-style-type: none"> <li>▪ Active Distance Assist DISTRONIC®</li> <li>▪ Active Steering Assist</li> <li>▪ Evasive Steering Assist</li> <li>▪ Active Lane Change Assist</li> <li>▪ Active Lane Keeping Assist</li> <li>▪ Active Blind Spot Assist</li> <li>▪ Active Brake Assist w/ Cross-Traffic Function</li> <li>▪ Active Emergency Stop Assist</li> <li>▪ Active Speed Limit Assist</li> <li>▪ Route-Based Speed Adaptation</li> </ul>	All Models	\$ 1,700
DD1	<p><b><i>designo</i> Two-Tone Platinum White Pearl / Black Nappa leather</b>  <i>Not with Heated Steering Wheel (443)</i>  <i>Requires Heated Front Seats (873) or Heated and Ventilated Seats (401)</i></p> <ul style="list-style-type: none"> <li>▪ 975 - <i>designo</i> Platinum White Pearl / Black Two-Tone Nappa leather seats in diamond quilt design with white contrast stitching</li> <li>▪ U04 - <i>designo</i> black floor mats with white border and <i>designo</i> badge in the front floor mats</li> <li>▪ U09 - Dashboard and Upper Doors in MB-Tex with topstitching</li> <li>▪ Center door panels in <i>designo</i> Platinum White Pearl Nappa leather and center console armrest in <i>designo</i> Black Nappa leather</li> <li>▪ Flat-bottom sport multifunction steering wheel in black Nappa leather (Standard round steering wheel always replaced)</li> </ul>	All Models	\$ 3,800

# Stand-Alone Options



<i>Code</i>	<i>Options</i>	<i>Availability</i>	<i>MSRP</i>
242	3-Stage Passenger Seat Memory with Adjustable Thigh Support	All Models	\$ 350
355	Pre-Installation for SD-Card Navigation	All Models	\$ 200
401	Heated & Ventilated Front Seats <i>Only available w/ leather upholstery or designo Package (DD1)</i> <i>Not available w/ Heated Front Seats (873) (heating function already included)</i>	All Models	\$ 1,030
413	Panorama roof	All Models	\$ 1,000
443	Heated Steering Wheel <i>Not available with designo Packages (DD1)</i> <i>AMG Line (DG3) loses Flat-bottom Steering Wheel</i>	All Models	\$ 250
463	Head-Up Display	All Models	\$ 1,100
464	12.3" Digital Instrument Cluster	All Models	\$ 750
540	Power Rear-window Sunshade	All Models	\$ 440
581	3-Zone Climate Control	All Models	\$ 760
608	Adaptive Highbeam Assist	All Models	\$ 250
873	Heated Front Seats <i>Not available with Heated &amp; Ventilated Front Seats (401)</i>	All Models	\$ 580
897	Inductive Wireless Charging & NFC Pairing	All Models	\$ 200
U09	MB-Tex Upper Dashboard and Doors with Topstitching <i>Included in designo Packages (DD1)</i>	All Models	\$ 350

# Stand-Alone Options



<i>Code</i>	<i>VPC Installed Accessories</i>	<i>Availability</i>	<i>MSRP</i>
D03	Illuminated Star <i>Not with Driver Assistance Package (DA2)</i>	All Models	\$ 500
D07	Wheel Locking Bolts	All Models	\$ 150
D08	Door Handle Inserts, Chrome	All Models	\$ 100
D10	Rear Spoiler, Body Color <i>Not available with Rear Spoiler, Carbon Style (D20) or Rear Spoiler, Black (D21)</i>	All Models	\$ 350
D12	Mirror Housing Covers, Black <i>Not available with Night Package (DC1) or Carbon Fiber-look Mirror Housing Covers (D17)</i>	All Models	\$ 250
D16	LED Logo Projectors (Set of 2)	All Models	\$ 275
D17	Mirror Housing Covers, Carbon Style <i>Not available with Night Package (DC1) or Mirror Housing Covers, Black (D12)</i>	All Models	\$ 350
D20	Rear Spoiler, Carbon Style <i>Not available with Rear Spoiler, Body Color (D10) or Rear Spoiler, Black (D21)</i>	All Models	\$ 350
D21	Rear Spoiler, Black <i>Not available with Rear Spoiler, Body Color (D10) or Rear Spoiler, Carbon Style (D20)</i>	All Models	\$ 350
D22	MB Entry Navigation	All Models	\$ 625
D28	Comfort Box	All Models	\$ 250
D33	All-Weather Floor Mats	All Models	\$ 120



## Smartphone Integration (14U)

Standard equipment

Includes Android Auto and Apple CarPlay



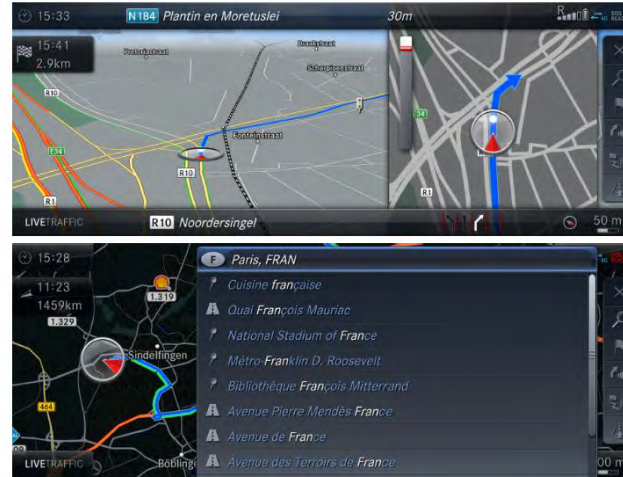
Smartphone Integration makes safe use of mobile devices possible while on the move. The connection to the smartphone allows access to up-to-date software and data such as navigation and traffic information, media (streaming media and IP radio) as well as contact data and messaging. To prevent driver distraction while on the move, there is no complete duplication of smartphone content.

*A data connection via the mobile phone is necessary for certain functions. The functions supported also depend on the smartphone. The information provided by the smartphone manufacturer will also indicate the compatible devices and functions.*

## MB Entry Navigation (26A)

Requires Pre-Installation for SD Card Navigation (355)

Option price: \$625



Mercedes-Benz has developed an in-house navigation system via an SD card with the same look and feel as the high-end COMAND Navigation and with similar functionality. This replaces the outgoing Garmin SD-Card Navigation. The MB Entry Navigation is capable of route guidance with an estimated 25% speed increase and also includes LiveTraffic and Car-to-X Communication.

*Please note that the card must be ordered with the 355 Pre-Installation for SD-Card Navigation before MB Entry Navigation can be loaded onto the vehicle. The dealer or VPC can install MB Entry Navigation.*

## Multimedia Package (320)

Requires Premium Package (P01)

Option price: \$2,600



The Multimedia Package offers the latest in headunit and navigation software for the C-Class. COMAND has been upgraded to NTG 5.5 - the same level as the E-Class and S-Class, and includes Enhanced Voice Control. Full maps with 3D capability and 3 years of free updates are included as well as SNAP overlays for gas prices, weather, parking availability, and more. Live Traffic information and Car-to-X Communication are also included alongside COMAND.

*This package also includes the Central Controller and Touchpad as well as the larger, 10.25" central display.*

**Multimedia Package is required for the Driver Assistance Package and the Digital Instrument Cluster (464) as well as any online functions like MB Apps and WiFi.**





## Digital Instrument Cluster



### **Digital Instrument Cluster (464)** – Requires Multimedia Package (320)

Option price: \$750

For MY2019, the C-Class will now offer the option to have a high-resolution 12.3” digital instrument cluster with three different modes: Classic, Sport, and Progressive. Unlike many other models with this option, the C-Class integrates the digital instrument cluster within the dash so the geometry of the dash is the same as without the option.

The three separate modes allow the driver to customize the digital instrument cluster to his/her liking. Additionally, with the added digital space, there is greater functionality for navigation, multimedia, and other information within the digital instrument cluster itself.



**Pictured Top:** “Classic” design

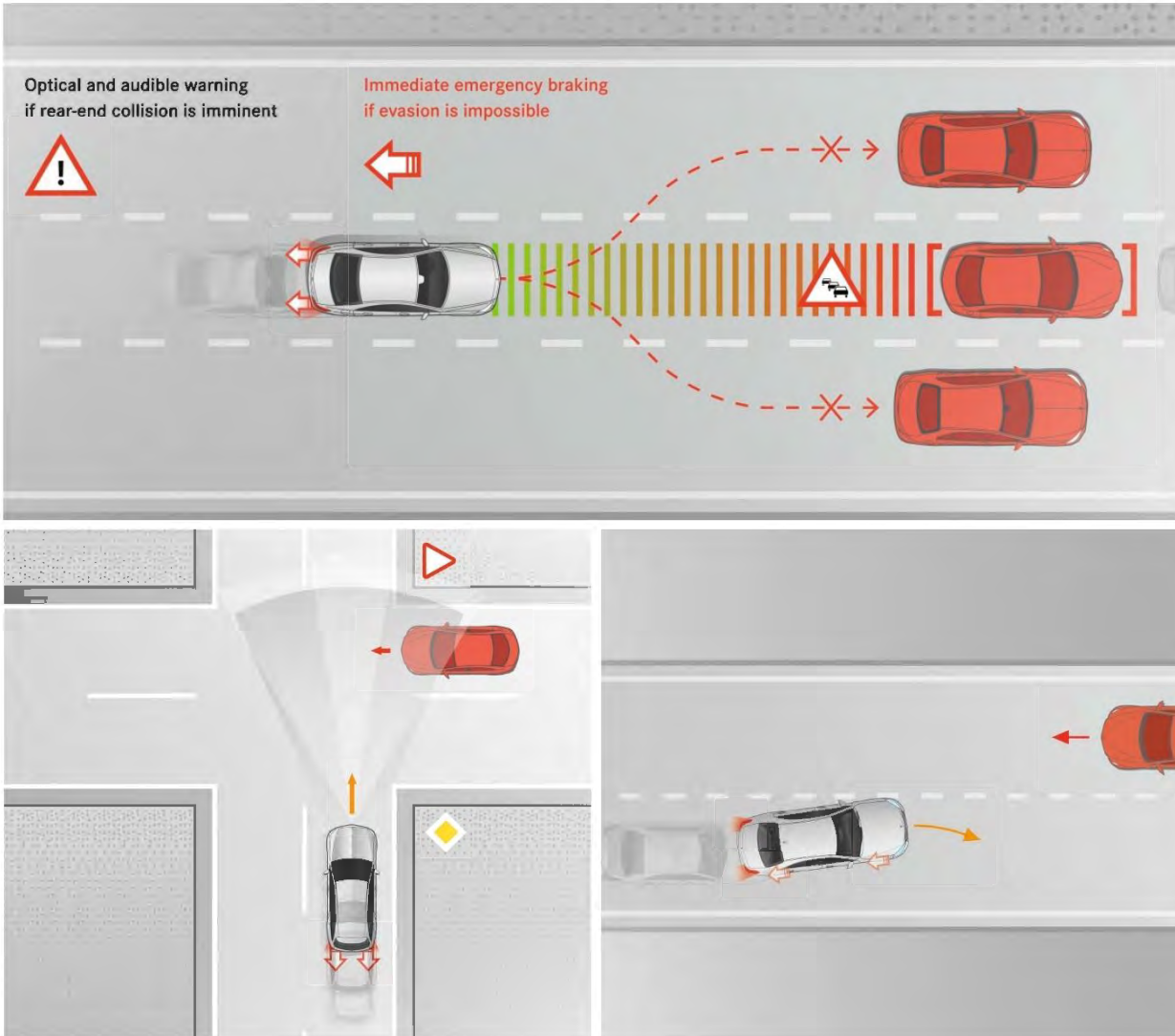
**Pictured Middle:** “Sport” design

**Pictured Bottom:** “Progressive” design





## *Driver Assistance Package*



### Driver Assistance Package (997)

Option price: \$1,700

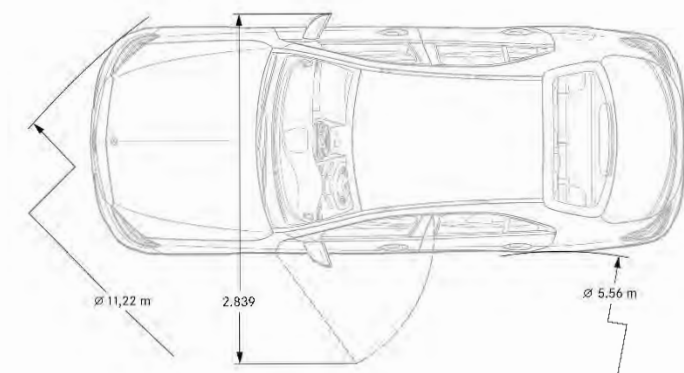
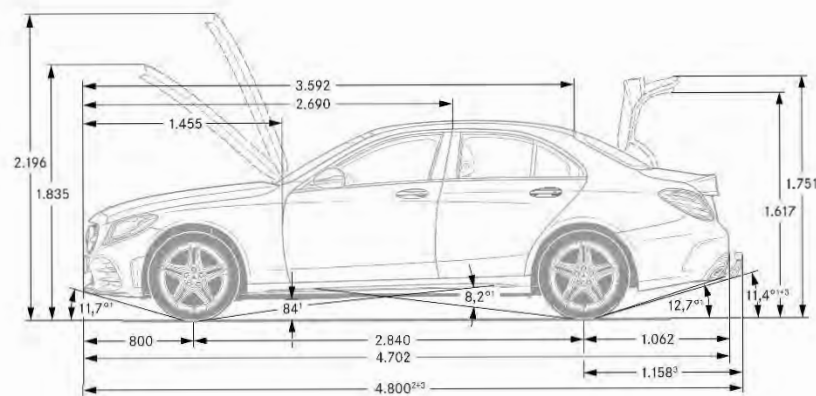
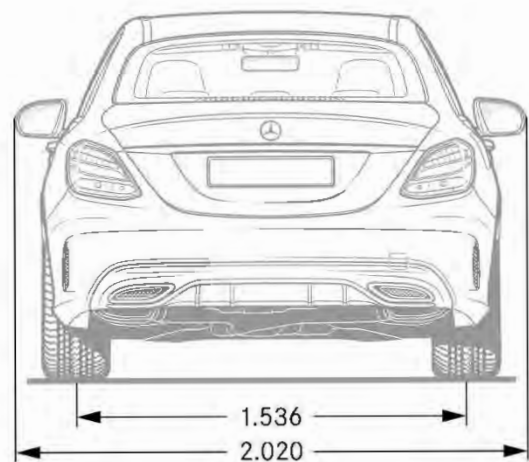
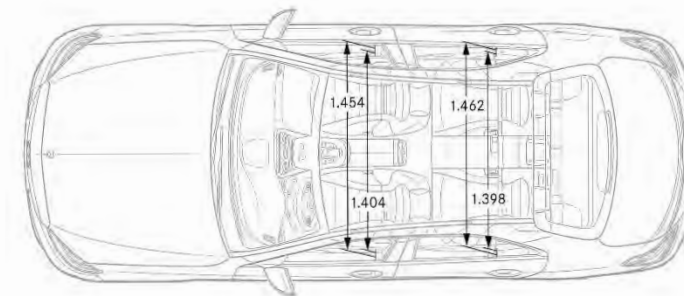
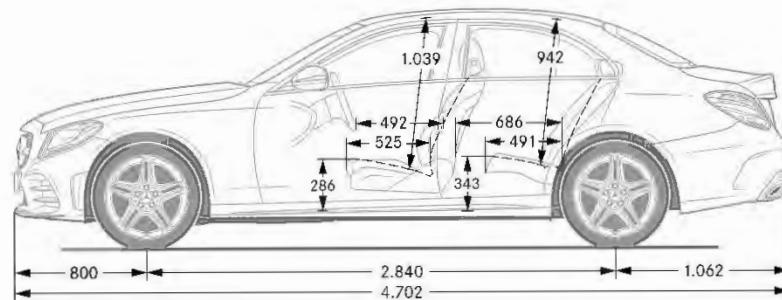
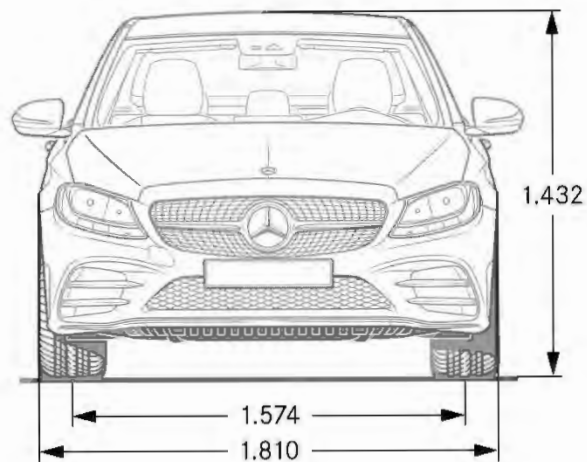
- **Active Distance Assist DISTRONIC®** is able to follow a vehicle in front at a pre-selected distance at wider range of speeds
- **Active Steering Assist** functions at a wider range of speeds and can now actively intervene even if road lines are unclear or non-existent at certain speeds; can now function in curves with a tighter radius
- **Active Emergency Stop Assist** brakes the vehicle to a standstill in its lane if it detects that the driver is no longer actively driving the vehicle while it is on the move with Active Distance Assist DISTRONIC and Active Steering Assist engaged. Can now unlock the doors when the vehicle is stationary to allow first aid responders immediate access to the vehicle's interior. The system simultaneously makes an emergency call
- **Active Lane Change Assist** is a radar-and-camera-based system that aids the driver when changing lanes. When a turn is indicated, this feature will aid with steering into the adjacent lane if it detects the lane is empty
- **Active Speed Limit Assist** can adapt vehicle speed to identified speed limits and can now adjust preemptively when speed limits are going to change
- **Route-Based Speed Adaptation** the vehicle is now able to reduce the speed in anticipatory mode by referencing the COMAND map data ahead of bends, junctions, roundabouts, toll booths and exit roads.
- **Active Brake Assist with Cross-Traffic Function**
- **Evasive Steering Assist** this system assists by adding calculated steering torque to aid in steering wheel movement when a driver deliberately or instinctively performs an evasive maneuver around a pedestrian
- **Active Blind Spot Assist** is active at a wider range of speeds and informs the driver to help avoid an imminent side impact by single-sided braking
- **Active Lane Keeping Assist** is active now at a wider range of speeds



	<i>C 300</i>	<i>C 300 4MATIC</i>
Engine Configuration	2.0L Inline-4 Turbo	2.0L Inline-4 Turbo
Power (hp)	255	255
Torque (lb-ft)	273	273
Displacement (cc)	1.991	1.991
Acceleration 0-60 mph (sec)	5.7	5.7
Fuel Economy (Cty/Hwy/Comb)	TBD	TBD
Top Speed (mph)	130 (lim.)	130 (lim.)
Fuel Requirement (Octane)	91	91
# Valves per cylinder	4	4
Compression	9.8 : 1	9.8 : 1
Transmission	9G-TRONIC PLUS	9G-TRONIC PLUS
Transmission Speeds	9	9
Drive Configuration	Rear-Wheel Drive	All-Wheel Drive
Fuel Tank Size (gallons)	17.4	17.4
Trunk Size (cubic feet)	12.6	12.6
Curb Weight (lbs)	TBD	TBD
Vehicle Length (in.)	184.5	184.5
Vehicle Width w/ exterior mirrors (in.)	79.5	79.5
Vehicle Width w/o exterior mirrors (in.)	71.3	71.3
Vehicle Height (in.)	56.8	56.8
Wheelbase (in.)	111.8	111.8
Track Width Front/Rear (in.)	61.53/60.86	61.61/60.75
Coefficient of Drag (Cd)	TBD	TBD



# Specifications\* – C300 AMG Line



# AMG C-Class Sedan

Change pictures  
to C43



W205

Model Year 2020

Pricing Preliminary

## C43, C63 & C63S



Models



What's new



Standard Equipment



Exterior Paint Colors



Wheels



Interior Upholstery



Interior Trims



Option Packages



Stand-Alone Options



Options in Detail



Specifications



*AMG C43 (205.064)*

- MSRP \$55,950
- AMG-enhanced 3.0L V6 biturbo engine
- 385 hp
- 384 lb-ft
- 4.6 sec (0-60 mph)
- Launch Date Q3 2019



*AMG C63 (205.086)*

- MSRP \$68,100
- Handcrafted AMG 4.0L V8 biturbo engine
- 469 hp
- 479 lb-ft
- TBD sec (0-60 mph)
- Launch Date Q3 2019

Insert model picture



*AMG C63 S (205.087)*

- MSRP \$75,700
- Handcrafted AMG 4.0L V8 biturbo engine
- 503 hp
- 516 lb-ft
- TBD sec (0-60 mph)
- Launch Date Q3 2019

## Standard Equipment

- Burmester Surround Sound System added for C43
- Black Mirror Housings and Window Trim removed from standard equipment and moved to AMG Night Package
- 64-Color Ambient Lighting and AMG Illuminated Door Sills
- Advanced Car Alarm w/ alerts through Mercedes Me app and headunit (not available until Q4 2019)
- New key design

## Optional Equipment

- New Package and Accessories codes
- AMG DRIVE UNIT (U88) now additionally available on C43
- Silver Seat Belts (Y04) restricted to only C63 S
- C43: When selecting 19" wheels, code 251 added to increase top speed to 155 mph
- Red Seat Belts (Y05) restricted to only C43
- Code 260 for badge deletion no longer available
- Deletion of H84 Silver Fiberglass trim

## Upholsteries

- Silk Beige leather (255) now available on C43
- *designo* Saddle Brown package (P87) deleted

## Paint

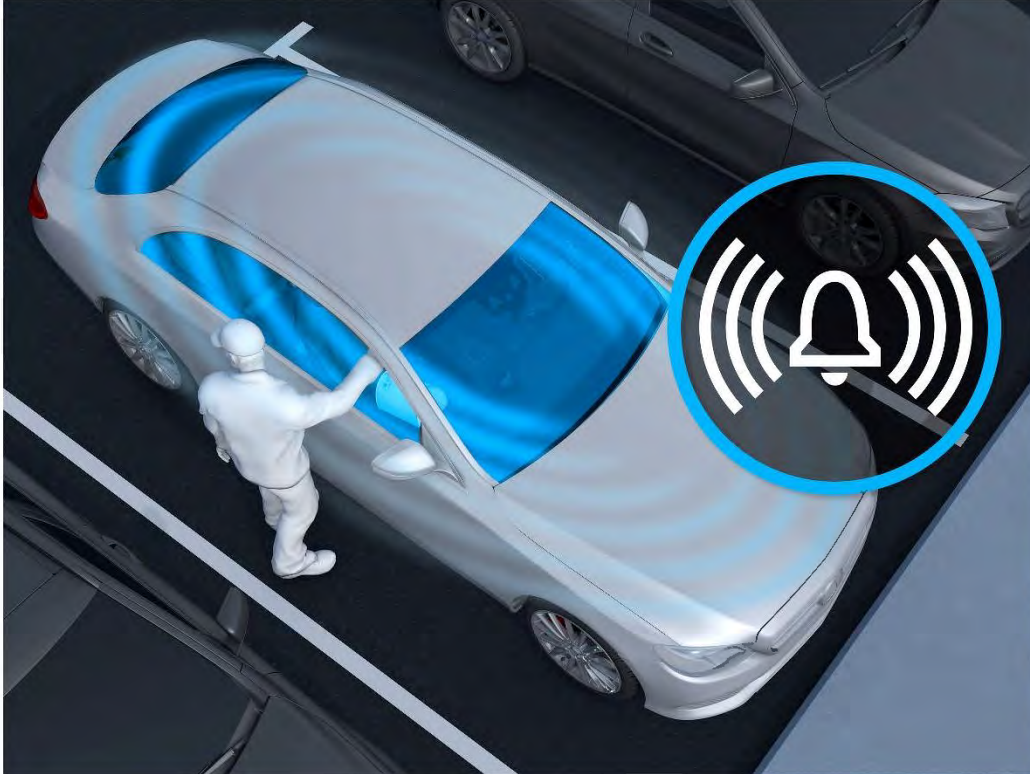
- 040 Black and 890 Lunar Blue now only for C43
- 989 Emerald Green paint deleted
- New paint colors:
  - 297 *designo* Selenite Grey Magno (all models)
  - 982 *designo* Iridium Silver Magno (C63/C63 S only)





## Advanced Alarm System and Parking Damage Detection (Codes: 551, 852, and 08U)

*Will be standard starting in Q4 2019*



This system combines a number of security features that improve protection for both your vehicle and any valuables in the interior. It gives an audible and visual warning when it detects a break-in, attempted theft, interior motion, unauthorized towing, and even damage while the vehicle is parked.

An alert is then also sent to your mobile device for quick response. From the Mercedes me connect app, the user is made aware of the issue and is even able to turn off the alarm. Once back in the vehicle, a notification on the central display will detail what issue was detected.

1. The Advanced Alarm System is able to recognize unauthorized attempts to open the vehicle doors or trunk, along with detecting any motion inside the vehicle. The integrated tow-away protection is activated as soon as a change in the vehicle's position is detected and an alarm is triggered in this case as well.
  - The vehicle's interior is monitored via an ultrasound sensor located in the overhead control unit which will detect movement within the vehicle once the alarm is active (after the vehicle is locked)
  - Contact sensors located in the vehicle's doors and trunk lid will detect any unauthorized access to the vehicle, triggering an alarm and a notification via the Mercedes me connect app and in the headunit
  - Notifications are sent to the Mmc app when doors/trunk/hood are opened, movement is detected inside vehicle, or towing sensors are triggered
  
2. Parking Damage Detection can identify potential damages to a parked vehicle by measuring impacts with an accelerometer located in the overhead control unit. The customer will be notified about damage events through the Mercedes me connect app as well as in the central display once back in the vehicle.
  - The trigger levels can be detected in different levels: minor, moderate, etc.
  - The system is active when the vehicle is at a standstill and locked
  - Notifications are sent to the Mmc app when parking damage is detected
  - Once back inside the vehicle, a notification will ask the user if the damage is severe enough to need assistance from the CAC

## *Performance & Handling*

- AMG SPEEDSHIFT® TCT 9-speed transmission – C43
- AMG SPEEDSHIFT® MCT 9-speed transmission – C63 / C63 S
- AMG RIDE CONTROL sport suspension with adaptive 3-stage damping
- AMG DYNAMIC SELECT
- AMG Performance 4MATIC – C43
- AMG Electronic limited-slip differential – C63 / C63 S
- Dynamic Engine Mounts – C63 S
- 18" Wheels – C43 / C63
- 19" Wheels – C63 S
- AMG Performance Exhaust System – C63 / C63 S

## *Comfort & Convenience*

- KEYLESS START
- KEYLESS-GO
- Two USB Ports
- Bluetooth® Technology (for Handsfree Phone Use/Audio Streaming)
- HD Radio
- SiriusXM Satellite Radio
- Burmester® Surround Sound System
- Power and Heated Front Seats with Memory
- 4-way Lumbar Support
- Power Tilt & Telescoping Steering Column
- Power-Folding Mirrors
- Electronic Cruise Control
- Central Controller with 10.25" Media Display
- 64-Color Ambient Lighting & AMG Illuminated Door Sills
- C43 / C63: AMG Nappa Leather Performance Steering Wheel
- C63 S: AMG Performance Steering Wheel in Nappa/DINAMICA
- C63 S: AMG DRIVE UNIT
- Dual-zone Automatic Climate Control
- Garage Door Opener
- Intermittent Wipers with Rain Sensor
- Power tilt/sliding sunroof
- LED Headlamps and taillights
- Auto-Dimming Driver & Rearview Mirror
- Front and Rear Cupholders
- Split-Folding Rear Seats (40/20/40)
- HANDS-FREE ACCESS
- Electronic Trunk Closer
- Smartphone Integration for Apply CarPlay and Android Auto

## *Safety & Security*

- New Vehicle 4 Year/50,000 Mile Warranty
- 24h Roadside Assistance Program
- 3-point Seat Belt with Pretensioners & Dual-Stage Belt Force Limiter
- Front Dual-Stage Airbags
- Front and Rear Side Window Airbags
- Front Side Airbags
- Driver & Passenger Kneebags
- Blind Spot Assist
- ISOFIX Anchor and Tether System
- ATTENTION ASSIST Driver Drowsiness Monitor
- Active Brake Assist
- PRE-SAFE
- Smart Key with Panic Button
- Tire Pressure Monitoring System
- Anti-theft Alarm System
- Rearview Camera

## Non-metallic Paints



040  
Black  
*Option price: \$0 (C43 only)*



149  
Polar White  
*Option price: \$0*

## Metallic Paints



197  
Obsidian Black  
*Option price: \$720*



775  
Iridium Silver  
*Option price: \$720*



859  
Mojave Silver  
*Option Price: \$720 (C43 only)*



890  
Lunar Blue  
*Option price: \$720 (C43 only)*



896  
Brilliant Blue  
*Option price: \$720*



992  
Selenite Grey  
*Option price: \$720*

## *designo*<sup>®</sup> Paints *designo* Paints



297  
Selenite Grey Magno  
*Option price: \$2,020*  
*Delayed Availability until Dec. 2019 production*



799  
Diamond White Metallic  
*Option price: \$1,515*



996  
Cardinal Red Metallic  
*Option price: \$1,080 (C43 only)*



**RSJ**  
18" AMG 5-Spoke  
R02, R66  
*Option price: \$0*  
C 43 only



**605**  
19" AMG Multispoke  
R01, R66  
*Option price: \$850*  
C 43 only



**RSU**  
19" AMG Twin 5-Spoke  
R01, R66  
*Option price: \$850*  
C 43 only



**RSV**  
19" AMG Twin 5-Spoke  
w/Black Accents  
R01, R66  
*Option price: \$850*  
C 43 only



**RVD**  
19" AMG Multispoke, Matte  
Black  
R01, R66  
*Option price: \$1,350*  
C 43 only



**RUP**  
18" AMG 10-Spoke  
R01, B51  
*Option price: \$0*  
C 63 only (std)



**RSW**  
19" AMG Twin 5-Spoke  
R01, B51  
*Option price: \$850/\$0*  
C 63/63 S only  
(std on 63 S)



**770**  
19" AMG Forged Cross-Spoke  
R01, B51  
*Option price: \$1,950/\$1,250*  
C 63/63 S only



**662**  
19" AMG Forged Cross-Spoke  
Black  
R01, B51  
*Option price: \$2,450/\$1,750*  
C 63/63 S only

<i>Code</i>	<i>Wheel Size</i>	<i>Description</i>	<i>Wheel Dimensions</i>	<i>Mobility</i>	<i>Availability</i>	<i>MSRP</i>
RSJ	18"	AMG 5-Spoke Wheel	225/45 R18 on 7.5 J x 18 ET44 (Front) 245/40 R18 on 8.5 J x 18 ET49 (Rear)	R02, R66	C 43 only	\$ 0
605	19"	AMG Multispoke	225/40 R 19 on 7.5 J x 19 H ET36 (Front) 255/35 R 19 on 8.5 J x 19 H ET52 (Rear)	R01, R66	C 43 only	\$ 850
RVD	19"	AMG Multispoke, Black	225/40 R 19 on 7.5 J x 19 H ET33 (Front) 255/35 R 19 on 8.5 J x 19 H ET52 (Rear)	R01, R66	C 43 only	\$ 1,350
RSU	19"	AMG Twin 5-Spoke	225/40 R 19 on 7.5 J x 19 H ET33 (Front) 255/35 R 19 on 8.5 J x 19 H ET52 (Rear)	R01, R66	C 43 only	\$ 850
RSV	19"	AMG Twin 5-Spoke, Black	225/40 R 19 on 7.5 J x 19 H ET33 (Front) 255/35 R 19 on 8.5 J x 19 H ET52 (Rear)	R01, R66	C 43 only	\$ 850
RUP	18"	AMG 10-Spoke	245/40 R 18 on 8.5 J x 18 ET38 (Front) 265/40 R 18 on 9.5 J x 18 ET56 (Rear)	R01, B51	C 63 only	\$ 0
RSW	19"	AMG Twin 5-Spoke	245/35 R 19 on 8.5 J x 19 ET38 (Front) 265/35 R 19 on 9.5 J x 19 ET56 (Rear)	R01, B51	C 63 C 63 S	\$ 850 \$ 0
770	19"	AMG Forged Cross-Spoke	245/35 R 19 on 8.5 J x 19 ET38 (Front) 265/35 R 19 on 9.5 J x 19 ET56 (Rear)	R01, B51	C 63 C63 S	\$ 1,950 \$ 1,250
662	19"	AMG Twin 5-Spoke, Matte Black	245/35 R 19 on 8.5 J x 19 ET38 (Front) 265/35 R 19 on 9.5 J x 19 ET56 (Rear)	R01, B51	C63 C63 S	\$ 2,450 \$ 1,750



641

Black w/ DINAMICA and Red Topstitching  
*Option price: \$0 (C43 only)*



641 + 555

Black w/ DINAMICA and Red Topstitching  
w/ AMG Performance Seats  
*Option price: \$2,500 (C43 only)*



611

Black w/ DINAMICA  
*Option price: \$0 (C63 only)*



611 + 555

Black w/ DINAMICA w/ AMG Performance Seats  
*Option price: \$2,500 (C63 only)*



251  
Black  
Option price: \$1,620  
C43 only



264  
Saddle Brown/Black  
Option price: \$1,620  
C43 only



267  
Cranberry Red  
Option price: \$1,620  
C43 only  
*Not in conjunction with 989 paint*



241  
Black w/ Red Topstitching  
Option price: \$1,620  
C43 only



241 + 555  
Black w/ Red Topstitching w/ AMG Performance Seats  
Option price: \$4,120  
C43 only



255  
Silk Beige/Black  
Option price: \$1,620  
C43 only  
**Delayed Availability**

# Interior Upholstery – Nappa Leather



801

Black

Option price: \$2,590/\$0

C 63 / C 63 S only



851

Platinum White Pearl/Black

Option price: \$2,590/\$0

C 63 / C 63 S only



857

Red Pepper/Black

Option price: \$2,590/\$0

C 63 / C 63 S only



811

Black w/ Grey Accents

Option price: \$0

C 63 S only



858

Magma Grey/Black with Yellow Stitching

Option price: \$2,590/\$0

C 63 / C 63 S only



# Interior Upholstery – Nappa Leather



801 + 555

Black w/ AMG Performance Seats

*Option price: \$5,090/\$2,500*

*C 63 / C 63 S only*



851 + 555

Platinum White Pearl/Black w/ AMG Performance Seats

*Option price: \$5,090/\$2,500*

*C 63 / C 63 S only*



857 + 555

Red Pepper/Black w/ AMG Performance Seats

*Option price: \$5,090/\$2,500*

*C 63 / C 63 S only*

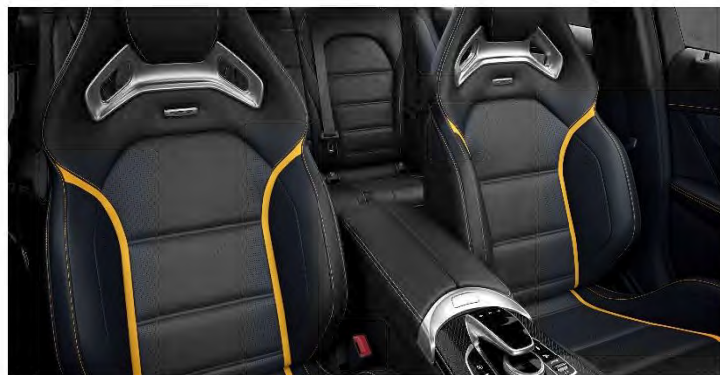


811 + 555

Black w/ Grey Accents w/ AMG Performance Seats

*Option price: \$2,500*

*C 63 S only*



858 + 555

Magma Grey/Black with Yellow Stitching

w/ AMG Performance Seats

*Option price: \$5,090/\$2,500*

*C 63 / C 63 S only*

# Interior Upholstery – *designo* Nappa leather



**C 43:** DD1+975

**C 63 / C 63 S:** DD1+965

Platinum White Pearl/Black

*Option price: \$3,100 (C 43/C63)/\$500 (C 63 S)*



**C43:** DD1+965+555

Platinum White Pearl/Black

w/ AMG Performance Seats

*Option price: \$5,600 (C 43 only)*



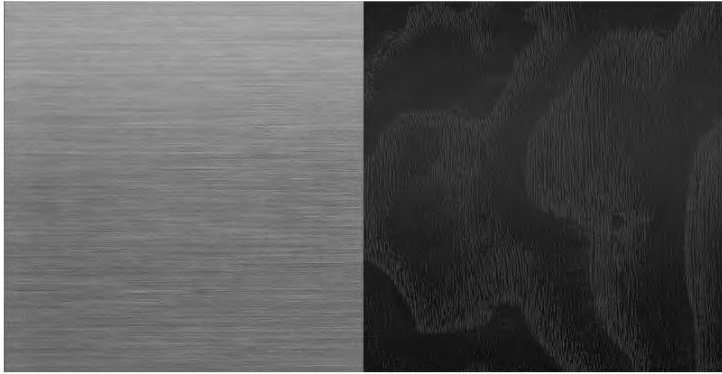
**C63/C63 S:** DD1+965+555

Platinum White Pearl/Black

w/ AMG Performance Seats

*Option price: \$5,600 (C 63)/\$3,000 (C 63 S)*

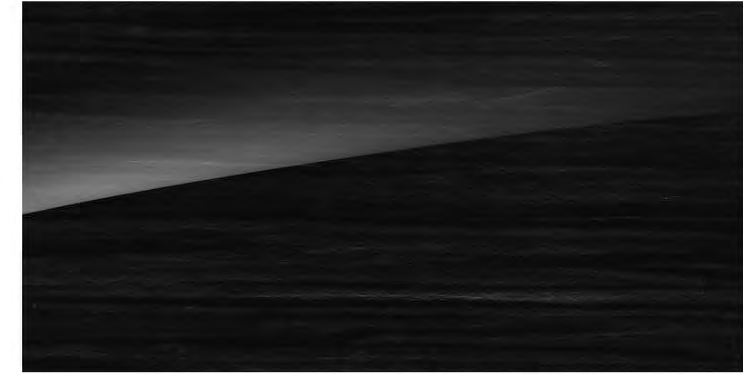
<i>Code</i>	<i>Upholstery</i>	<i>Seats</i>	<i>Floor Mats</i>	<i>Upper Dash/Lower Dash</i>	<i>Seat Belts</i>
641	Black MB-Tex w/ DINAMICA and Red Topstitching	Black w/ Red Topstitching	Black	Black/Black	Red
611	Black MB-Tex w/ DINAMICA	Black	Black	Black/Black	Black
241	Black leather w/ Red Topstitching	Black w/ Red Topstitching	Black	Black/Black	Red
251	Black leather	Black	Black	Black/Black	Black
264	Saddle Brown leather	Saddle Brown	Black	Black/Black	Black
267	Cranberry Red leather	Cranberry Red	Black	Black/Black	Black
801	Black Nappa leather	Black	Black	Black/Black	Black
851	Platinum White Pearl/Black Nappa leather	Black/Platinum White	Black	Black/Black	Black
857	Red Pepper/Black Nappa leather	Black/Red Pepper	Black	Black/Black	Black
858	Magma Grey/Black Nappa leather with Yellow Accents	Magma Grey	Black	Black/Black	Black
811	Black Nappa leather w/ Grey Accents	Black	Black	Black/Black	Silver
965/975	Platinum White Pearl/Black Nappa leather	Platinum White/Black	Black	Black/Black	Black



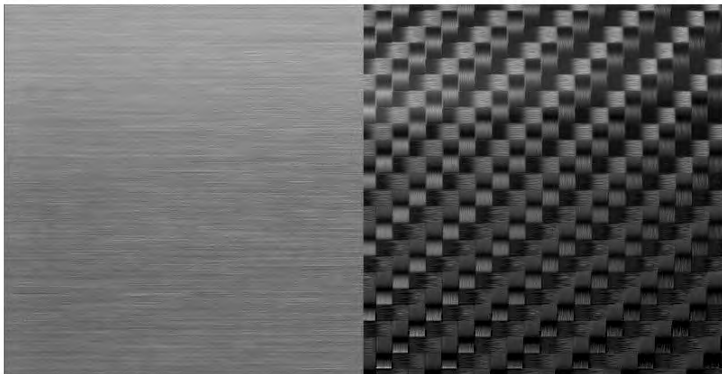
737 + 739  
Natural Grain Black Ash Wood  
*(door trim in Aluminum)*  
Option price: \$0



H33  
Natural Grain Walnut Wood  
Option price: \$0



H07  
Dark Brown Linden Wood  
Option price: \$0



H73  
AMG Carbon Fiber  
*(door trim in Aluminum)*  
Option price: \$975



H31  
Natural Grain Grey Oak  
Option price: \$0

<i>Code</i>	<i>Packages</i>	<i>Availability</i>	<i>MSRP</i>
DP1	<p><b>Premium Package</b></p> <p><i>Standard</i></p> <ul style="list-style-type: none"> <li>▪ 536 – SiriusXM® Satellite Radio</li> <li>▪ 877+U25 – Ambient Lighting/AMG Illuminated Door Sills</li> <li>▪ 810 – Burmester Surround Sound System</li> </ul>	All Models	Standard
DA2	<p><b>Driver Assistance Package</b></p> <p><i>Requires Multimedia Package (DA5)</i></p> <ul style="list-style-type: none"> <li>▪ Active Distance Assist DISTRONIC®</li> <li>▪ Active Steering Assist</li> <li>▪ Evasive Steering Assist</li> <li>▪ Active Lane Change Assist</li> <li>▪ Active Lane Keeping Assist</li> <li>▪ Active Blind Spot Assist</li> <li>▪ Active Brake Assist w/ Cross-Traffic Function</li> <li>▪ Active Emergency Stop Assist</li> <li>▪ Active Speed Limit Assist</li> <li>▪ Route-Based Speed Adaptation</li> </ul>	All Models	\$ 1,700
DA3	<p><b>Parking Assistance Package</b></p> <ul style="list-style-type: none"> <li>▪ 235 – Active Parking Assist</li> <li>▪ 501 – Surround View System</li> <li>▪ Rear Cross-Traffic Alert</li> </ul>	All Models	\$ 1,100
DA4	<p><b>Exterior Lighting Package</b></p> <ul style="list-style-type: none"> <li>▪ 640 – LED Intelligent Light System</li> <li>▪ 608 – Adaptive Highbeam Assist</li> </ul>	All Models	\$ 900

<i>Code</i>	<i>Packages</i>	<i>Availability</i>	<i>MSRP</i>
DA5	<b>Multimedia Package</b> <ul style="list-style-type: none"> <li>▪ 531 – COMAND® Navigation</li> <li>▪ 448 – Touchpad</li> <li>▪ 502 – Navigation Map Updates for First Three Years</li> </ul>	All Models	\$ 2,300
DC1	<b>AMG Night Package</b> C 43: <ul style="list-style-type: none"> <li>▪ High-gloss black elements: front splitter trim strip, front louver inserts, window trim, exterior mirrors, side sill inserts; black chrome-plated exhaust pipes</li> </ul> C 63 & C 63 S: <ul style="list-style-type: none"> <li>▪ High-gloss black elements: A-wing and trim strip on front bumper, side sill inserts, exterior mirror housings, window trim; black chrome-plated exhaust pipes</li> <li>▪ For C63 S, DC1 also includes trim strip in rear apron in gloss black</li> </ul>	All Models	\$ 750
DC4	<b>AMG Exterior Carbon Fiber Package</b> Carbon fiber elements: Exterior Mirror Covers and Trunk Lid Spoiler	All Models	\$ 1,750
DD1	<b><i>designo</i> Platinum White Pearl/Black Nappa Leather Package</b> <ul style="list-style-type: none"> <li>• Perforated seat backrests, cushions, armrests, and door center panels in Platinum White Pearl in diamond stitch design</li> <li>• Seat side bolsters, head restraints, and center console armrest in black with white contrast stitching               <ul style="list-style-type: none"> <li>• On C43, <i>designo</i> badges in front and rear seats</li> <li>• On C63/C63 S, AMG lettering badges on front and rear seats</li> </ul> </li> <li>• On C43, use upholstery code 975 without 555 AMG Performance Seats. Use upholstery code 965 with 555 seats.</li> <li>• On C63/63 S, use upholstery code 965 with or without 555 seats.</li> </ul>	C63 C63 S	\$ 3,100 \$ 500

<i>Code</i>	<i>Options</i>	<i>Availability</i>	<i>MSRP</i>
256	AMG Track Pace <i>Requires Multimedia Package (DA5)</i>	C43/C63 C63 S	\$ 250 \$ 0
355	SD-Card Navigation Pre-wiring	All models	\$ 200
401	Heated & Ventilated Front Seats <i>C 43: Requires leather or <b>designo</b> Nappa leather upholstery</i> <i>C 63/C 63 S: Requires Nappa leather or <b>designo</b> Nappa leather upholstery (Nappa leather upholstery is standard on C63 S)</i>	All Models	\$ 450
413	Panorama Roof	All Models	\$ 1,000
463	Head-Up Display w/ AMG-specific content	All Models	\$ 1,100
464	12.3" Digital Instrument Cluster	All models	\$ 750
540	Power Rear-Window Sunshade	All Models	\$ 440
555	AMG Performance Seats <i>C43: Only available with upholsteries 241 and 641; C63/C63 S: no upholstery restrictions</i>	All Models	\$ 2,500
608	Adaptive Highbeam Assist	All Models	\$ 250
897	Inductive Wireless Charging and NFC Pairing	All Models	\$ 200
B07	AMG Ceramic Composite Front Braking System	C63 S	\$ 5,450
K33	Extended Restart in Stop & Go Traffic <i>Requires both DA2 and DA3 packages</i>	All Models	\$ 0
U17	Replace Red or Silver Seat Belts with Black <i>Applies only to C43 upholsteries 641/241 and C63 S upholstery 811; all other upholsteries come with Black seat belts standard</i>	C43/C63 S	\$ 0
U78	AMG Performance Exhaust System <i>Std on C63/C63 S</i>	C43	\$ 1,250
U88	AMG DRIVE UNIT <i>Available on all steering wheels; Required with L6G</i>	C43/C63	\$ 400

<i>Code</i>	<i>VPC Installed Accessories</i>	<i>Availability</i>	<i>MSRP</i>
D03	Illuminated Star <i>Not available with DA2 Driver Assistance Package</i>	All Models	\$ 500
D07	Wheel Locking Bolts	All Models	\$ 150
D08	Chrome Door Handle Inserts (set of 4)	All Models	\$ 100
D12	Black Mirror Housings <i>Not available with DC1 AMG Night Package, D17 Carbon Fiber Look Mirror Housings, DC4 Exterior Carbon Fiber Package, and 040/197 paints</i>	All Models	\$ 250
D17	Carbon Fiber Look Mirror Housing Covers <i>Not available with DC1 AMG Night Package, D12 Black Mirror Housings, or DC4 Exterior Carbon Fiber Package</i>	All Models	\$ 350
D22	MB Entry Navigation <i>Not available with DA5 Multimedia Package</i>	All Models	\$ 625
D28	Comfort Box	All Models	\$ 300
D32	AMG LED Crest Projectors ( <b><i>Delayed Availability</i></b> )	All Models	\$ 275
D33	All Weather Floor Mats	All Models	\$ 120



## Steering Wheels



### **AMG Performance Steering Wheel (L6J)**

Standard on C 43 / C 63

Option price on C63 S: \$0

The AMG Performance steering wheel in Nappa leather features AMG-specific shift paddles

- "AMG" badge underscores the sporty character.
- Red stitching and red 12 o'clock marker only come on C43, and only when upholsteries 641 or 241 are selected



### **AMG Performance Steering Wheel in Nappa/DINAMICA inserts (L6K)**

Standard on C 63 S

Option price for C 43 & C 63: \$500

- Grip area is finished in DINAMICA
- On C63 S, 12 o'clock marker and stitching are in red with upholstery 857, yellow with 858, and grey with 811, 851, and P62



### **AMG Performance Steering Wheel in DINAMICA (L6G)**

Option price on C43/C63/C63 S: \$600/\$600/\$100

Requires U88 AMG DRIVE UNIT

- Completely finished in black DINAMICA
- On C63 S, 12 o'clock marker and stitching are in red with upholstery 857, yellow with 858, and grey with 811, 851, and P62



## Steering Wheels



### **AMG Performance Steering Wheel in Nappa/Piano Black Trim (L6L)**

*Optional on all AMG variants*

*Option price: \$600 (C43/C63) / \$100 (C63 S)*

- Only in combination with the following interior trims: 737, H73, and the DD1 pkg.
- Stitching and 12 o'clock marker always in black



### **AMG Performance Steering Wheel in DINAMICA/Carbon Fiber Trim (L6H)**

*Not available on C43*

*Option price: \$900 (C63)/\$400 (C63 S)*

- Only in combination with the following interior trims: 737, H73, and the DD1 pkg.
- Stitching and 12 o'clock marker always in black



### **AMG DRIVE UNIT (U88)**

*Standard on C63 S*

*Optional on L6J, L6K, L6L, and L6H steering wheels*

*Required on L6G wheel*

*Option price: \$400*

- Left rocker switch can be freely assigned functions such as manual mode, adjustment of AMG RIDE CONTROL, activation/deactivation of ESP, enable/disable AMG Performance Exhaust System (optional)
- Right round control knob: selection of drive programs and display of current selected mode

## Brakes



### Sports Braking System

Standard on C 43 (C 43 only)

4-piston front and single piston rear calipers

- Front axle: brake disks measuring 14.2 x 1.4 inch, internally ventilated and perforated, with 4-piston aluminum fixed caliper and black "AMG" lettering
- Rear axle: brake disks measuring 12.6 x 0.9 inch, internally ventilated, with 1-piston floating caliper with brake caliper-integrated electric parking brake
- Silver brake calipers



### AMG High-Performance Braking System (B06)

Standard on C 63 (C 63 only)

6-piston front and single piston rear calipers

- Front axle: integral brake discs measuring 14.2 x 1.4 inch, internally ventilated and perforated with 6-piston fixed caliper
- Rear axle: brake discs measuring 14.2 x 1.0 inch, internally ventilated and perforated with 1-piston floating caliper
- grey-painted brake calipers with white AMG lettering
- Silver brake calipers



### AMG High-Performance Composite Braking System (U70)

Standard on C 63 S (C 63 S only)

6-piston front and single piston rear calipers

- Front axle: Compound brake disc measuring 15.4 x 1.4 inch, internally ventilated and perforated with 6-piston fixed caliper
- Rear axle: Brake discs measuring 14.2 x 1.0 inch, internally ventilated and perforated with 1-piston floating caliper
- Increased fade resistance and reduced thermal deformation of brake discs
- Red brake calipers



### AMG High-Performance Ceramic Composite Braking System (B07)

Option price: \$5,450 (C 63 S only) [See Advisory](#)

6-piston front and single piston rear calipers

- Front axle: compound ceramic disc with a diameter of 15.8 x 1.5 inch, internally ventilated and perforated, with 6-piston fixed caliper
- Rear axle: integral brake disc with a diameter of 14.2 x 1.0 inch, internally ventilated, perforated and grooved with 1-piston combined floating brake caliper
- Bronze brake calipers

## Advisory on B07 AMG High-Performance Ceramic Compound Braking System



The AMG Ceramic Compound Braking system has numerous benefits – namely, it is 40% lighter than a conventional steel braking system, offers significantly longer service life for the brake rotors, and provides exceptional resistance to brake fade under repeated aggressive stops.\*

The materials in your AMG Ceramic Compound Braking system were derived from Formula One technology, and therefore will perform differently than conventional brakes.

Especially when cold, this ceramic composite material will resonate during braking and potentially feel less responsive under light brake pressure but with no loss in braking power. You will hear sounds, e.g. squealing, that you might not expect and which may be louder than what you are used to during ordinary everyday braking maneuvers – rest assured that this is a normal operating characteristic for this brake system, and is a by-product of the unique properties of the material. Mercedes-AMG recommends that the driver engage the brakes in an assertive manner in order to mitigate some of this noise during normal operation; Mercedes-AMG also recommends that the brakes be brought up to operating temperature before use in high-performance driving situations in order to improve braking performance.

*\*Brake weight based on AMG Germany official measurements, Service life based on F1 Safety car longevity and is dependent on individual driving style and conditions and will vary. Brake pads and rotors should be regularly serviced to ensure proper wear. Please reference your Mercedes-AMG Maintenance Booklet or contact your dealer for scheduled intervals.*

## Recommended Builds – C43

Model	C43	C43	C43
<b>Baumuster</b>	205064	205064	205064
<b>Exterior Color</b>	149 Polar White	890 Lunar Blue Metallic	831 Graphite Grey Metallic
<b>Interior Upholstery</b>	641 Black MB-Tex/DINAMICA/w Red stitching	264 Saddle Brown	267 Cranberry
<b>Option Package</b>	DA4 Exterior Lighting Package	DA5 Multimedia Package DC1 AMG Night Package	DA5 Multimedia Package DA3 Parking Assistance Package DA4 Exterior Lighting Package DC1 AMG Night Package DA2 Driver Assistance Package
<b>Wheel</b>	RSJ 18" AMG 5-Spoke	RSU 19" AMG Twin 5-Spoke	RSV - 19" AMG Twin 5-Spoke w/ Black Accents
<b>Trim</b>	737+739 Natural Grain Black Ash Wood/Aluminum	H33 Natural Grain Walnut Wood	H73 Carbon Fiber
<b>Standalone Options</b>	Y05 Red Seat Belts U78 AMG Performance Exhaust 810 Burmester Surround Sound System 464 12.3" Digital Instrument Cluster	413 Panorama Roof 810 Burmester Surround Sound System U78 AMG Performance Exhaust	413 Panorama Roof U78 AMG Performance Exhaust 810 Burmester Surround Sound System 256 AMG Track Pace 464 12.3" Digital Instrument Cluster



Color not accurate

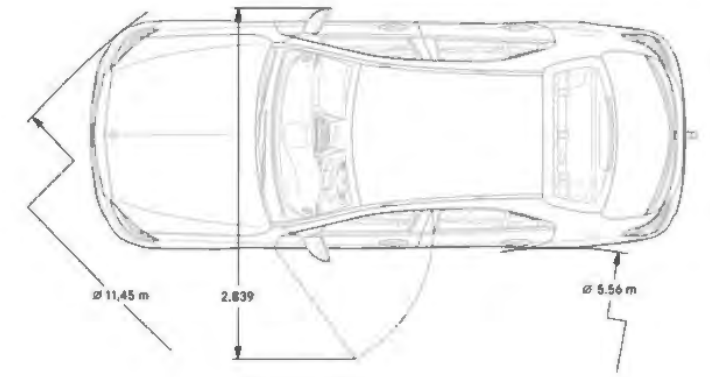
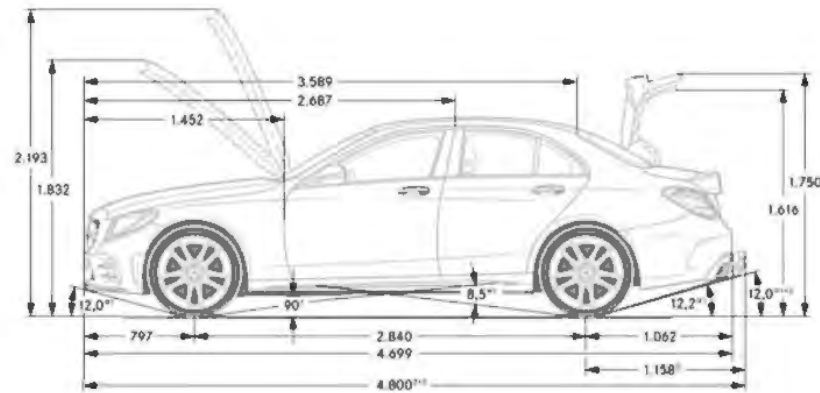
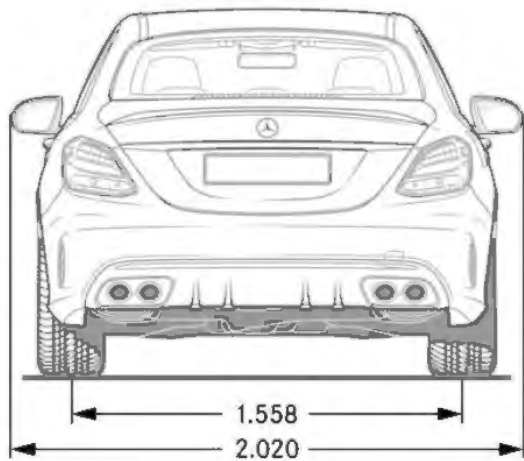
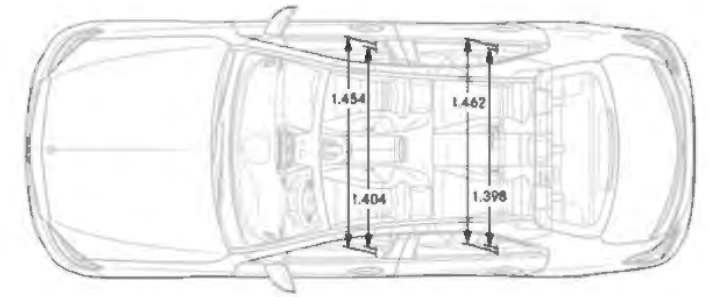
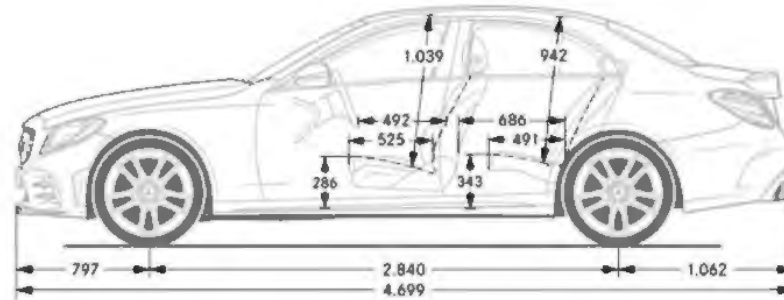
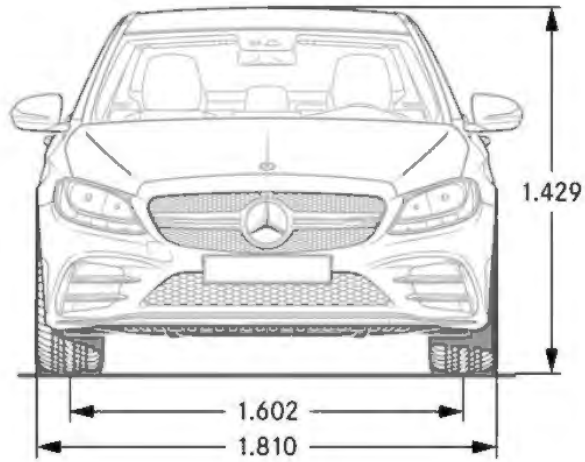
## Recommended Builds – C63/C63 S

Model	C63	C63	C63 S	C63 S
Baumuster	205086	205087	205087	205087
Exterior Color	775 Iridium Silver Metallic	831 Graphite Grey Metallic	149 Polar White	982 Iridium Silver Magno
Interior Upholstery	611 Black MB-Tex/DINAMICA	811 Black Nappa w/Grey Accents	851 Platinum White/Black Nappa	811 Black Nappa w/Grey inserts
Option Package	DA5 Multimedia Package	DA5 Multimedia Package	DA5 Multimedia Package	DA5 Multimedia Package
	DA4 Exterior Lighting Package	DA3 Parking Assistance Package	DA3 Parking Assistance Package	DA3 Parking Assistance Package
		DA4 Exterior Lighting Package	DA4 Exterior Lighting Package	DA4 Exterior Lighting Package
				DC1 AMG Night Package
				DA2 Driver Assistance Package
Wheel	RUP 18" AMG 10-Spoke	RSW 19" AMG Twin 5-Spoke	770 19" AMG Forged Cross-Spoke	662 19" AMG Forged Cross-Spoke, Black
Trim	737+739 Natural Grain Black Ash Wood/Aluminum	H73 Carbon Fiber	H73 Carbon Fiber	H73 Carbon Fiber
Standalone Options	464 12.3" Digital Instrument Cluster	L6K AMG Performance Steering Wheel in Nappa/DINAMICA	L6K AMG Performance Steering Wheel in Nappa/DINAMICA	413 Panorama Roof
		Y04 Silver Seat Belts	256 AMG Track Pace	555 AMG Performance Seats
		256 AMG Track Pace		256 AMG Track Pace
		U88 AMG DRIVE UNIT		L6H AMG Performance Steering Wheel in DINAMICA/Carbon Fiber
				463 Head-up Display
				464 12.3" Digital Instrument Cluster



	<i>C43 4MATIC</i>	<i>C63</i>	<i>C63S</i>
Engine Configuration	AMG-enhanced 3.0L V6 biturbo engine	Handcrafted AMG 4.0L V8 biturbo engine	Handcrafted AMG 4.0L V8 biturbo engine
Power (hp)	385 @ 6,100 rpm	469 @ 5,500-6,250	503 @ 5,500-6,250
Torque (lb-ft)	384 @ 2,500-5,000 rpm	479 @ 1,750-4,500	516 @ 2,000-4,500
Displacement (cc)	2,996	3,982	3,982
Acceleration 0-60 mph (sec)	4.5	3.9	3.8
Fuel Economy (Cty/Hwy/Comb)	TBD	TBD	TBD
Top Speed (mph)	130 (lim.), 155 w/ R01 tires	155	180
Fuel Requirement (Octane)	91	91	91
# Valves per cylinder	4	4	4
Compression	10.5 : 1	10.5 : 1	10.5 : 1
Transmission	AMG SPEEDSHIFT TCT 9-Speed	AMG SPEEDSHIFT MCT 9-Speed	AMG SPEEDSHIFT MCT 9-Speed
Transmission Speeds	9	9	9
Drive Configuration	All-Wheel-Drive	Rear-Wheel-Drive	Rear-Wheel-Drive
Fuel Tank Size (gallons)	17.4 / 1.9	17.4 / 1.9	17.4 / 1.9
Trunk Size (cubic feet)	TBD	TBD	TBD
Curb Weight (lbs)	TBD	TBD	TBD
Vehicle Length (in.)	185	187.2	187.3
Vehicle Width w/ exterior mirrors (in.)	79.5	79.5	79.5
Vehicle Height (in.)	56.3	56.1	56.1
Wheelbase (in.)	111.8	111.8	111.8
Track Width Front/Rear (in.)	63.1/61.3	63.4/60.9	63.4/60.9
Coefficient of Drag (Cd)	0.31	0.31	0.32

# Specifications\* – C43





# Specifications\* – C63

