

AR54.25-P-2802LW	Remove/install steering column module	04.10.2016
------------------	---------------------------------------	------------

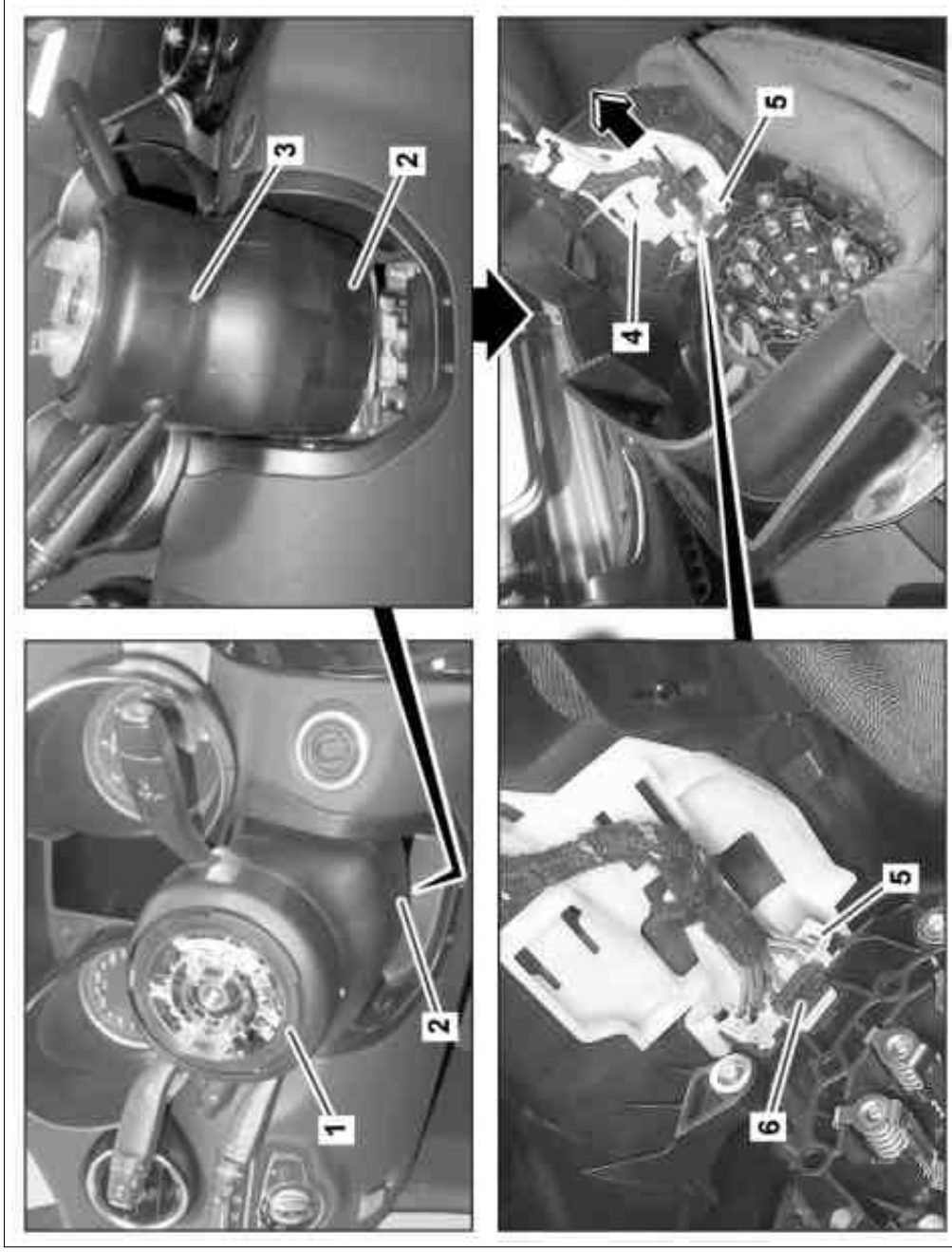
**Model** 205, 213, 238, 253

**Modification notes**

03.06.2016	"Turn steering wheel to center position" added.	Operation step 3	
------------	---	------------------	--

**Shown on model 205**

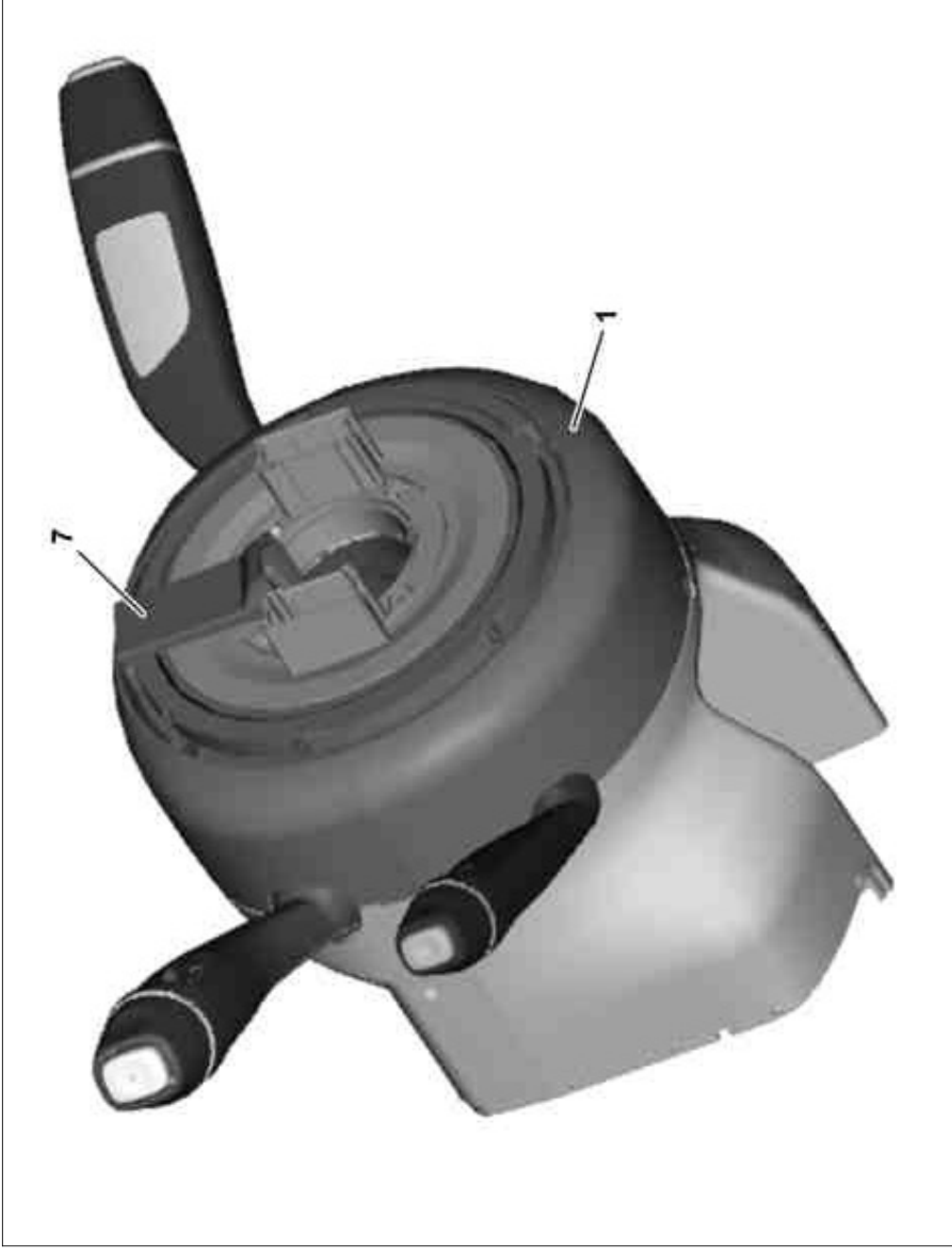
- 1 Steering column module
- 2 Cover
- 3 Assembly display
- 4 Guide
- 5 Electrical connector
- 6 Fuse






P54.25-9549-06

**Shown on model 205**

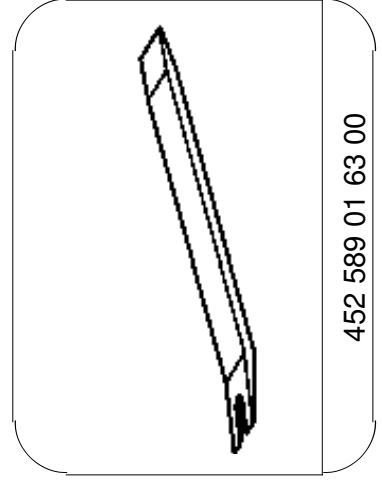
- 1 Steering column module
- 7 Shipping insert



P54.25-9585-06

	Information on preventing damage to electronic components due to electrostatic discharge		AH54.00-P-0001-01A
	<b>Remove/install</b>		
1	Perform initial startup of steering column tube module (1)	When replacing the steering column tube module (1). Model 238	AD00.00-P-2000-06LWO
			

AD	Model 205, 213, 253	AD00.00-P-2000-04B
2	Move steering wheel all the way to the rear	
3	Turn steering wheel to center position (front wheels in straight-ahead position)	
4	Remove steering wheel	AR46.10-P-0100LW
5	Unclip cover (2) from steering column tube module (1)	*452589016300
6	Pull steering column tube module (1) off steering column tube	<p>Start unclipping at bottom of cover (2).</p> <p>Clip remover</p> <p>Do not touch red safety catch in steering column tube module (1). Otherwise the clock spring contact will be destroyed.</p> <p><b>i</b> <b>Installation:</b> When the steering column tube module (1) is in the correct installation position, the assembly indicator (3) is retracted.</p> <p><b>i</b> <b>Installation:</b> When installing a new steering column tube module (1), the transportation lock (7) must be broken off after installation.</p>
7	Remove locking clip (6) from electrical connection (5)	<p>The locking clip (6) is destroyed and must be replaced.</p>
8	Detach guide (4) together with electrical connection (5) from steering column tube module (1) and remove steering column tube module (1)	
9	Install in the reverse order	



Clip remover