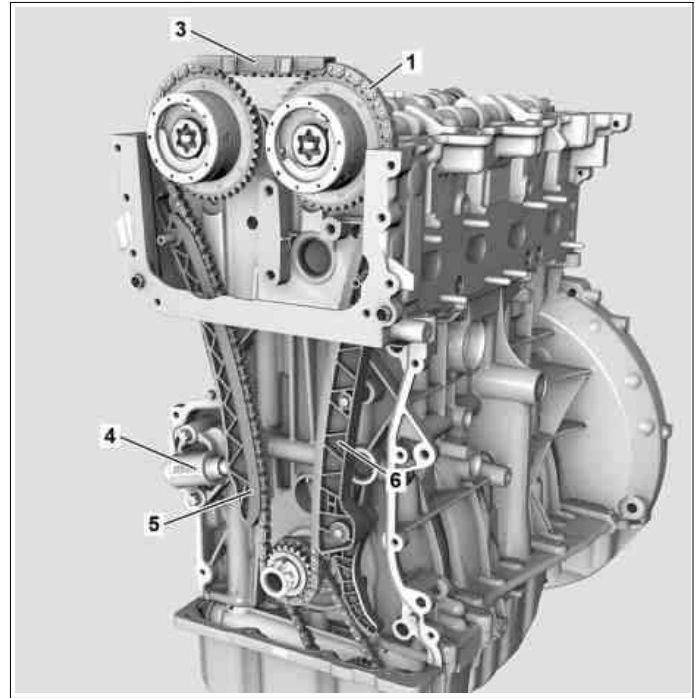


Engine 274.9 in model 205

Engine 274.9 in model 253

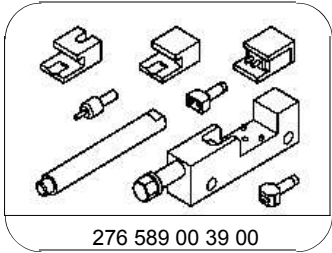
- 1 Timing chain
- 3 Chain slide bar
- 4 Chain tensioner
- 5 Chain tensioning rail
- 6 Chain slide bar



P05.10-2526-12

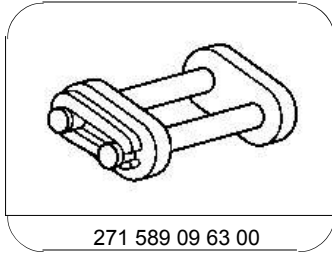
	Remove		
1	Remove camshafts with camshaft positioners	The camshaft positioners remain on the camshafts.	AR05.20-P-6992MRA
2	Disconnect timing chain (1)	Rivet press tool	AR05.10-P-7601-01MR *276589003900
	Check		
3	Check chain slide bar (5) for wear and damage	If worn or damaged ↓ Replace chain slide bar (5).	AR05.10-P-8127MRA
4	Check chain slide bars (3, 6) for wear and damage	If worn or damaged ↓ Replace chain slide bars (3, 6).	AR05.10-P-8480MRA
	Install		
5	Draw in new timing chain (1)	Assembly element	AR05.10-P-7601-04MR *271589096300
6	Rivet together timing chain (1)	Rivet press tool	AR05.10-P-7601-02MR *276589003900
7	Install camshafts with camshaft positioners	Only install cylinder head cover after checking the basic position of the camshafts.	AR05.20-P-6992MRA
8	Check basic position of the camshafts using the installed chain tensioner (4)	In case of a complaint ↓ Set basic position of camshafts.	AR05.20-P-6020MRA
9	Install cylinder head cover	Only install upper engine cover after the leak test.	AR01.20-P-5014MRA

<p>⚠ Warning</p>	<p>Risk of accident from vehicle starting off by itself when engine running. Risk of injury (bruises and burns) resulting from working on the engine while it is being started or when it is running.</p>	<p>Secure vehicle to prevent it from starting off by itself. Wear buttoned-up and snug-fitting work clothes. Do not touch hot or rotating parts.</p>	<p>AS00.00-Z-0005-01A</p>
<p>10</p>	<p>Perform an engine test run; in doing so check engine for proper operation and leaktightness</p>		
<p>11</p>	<p>Install upper engine cover</p>		



276 589 00 39 00

Rivet press tool



271 589 09 63 00

Assembly element