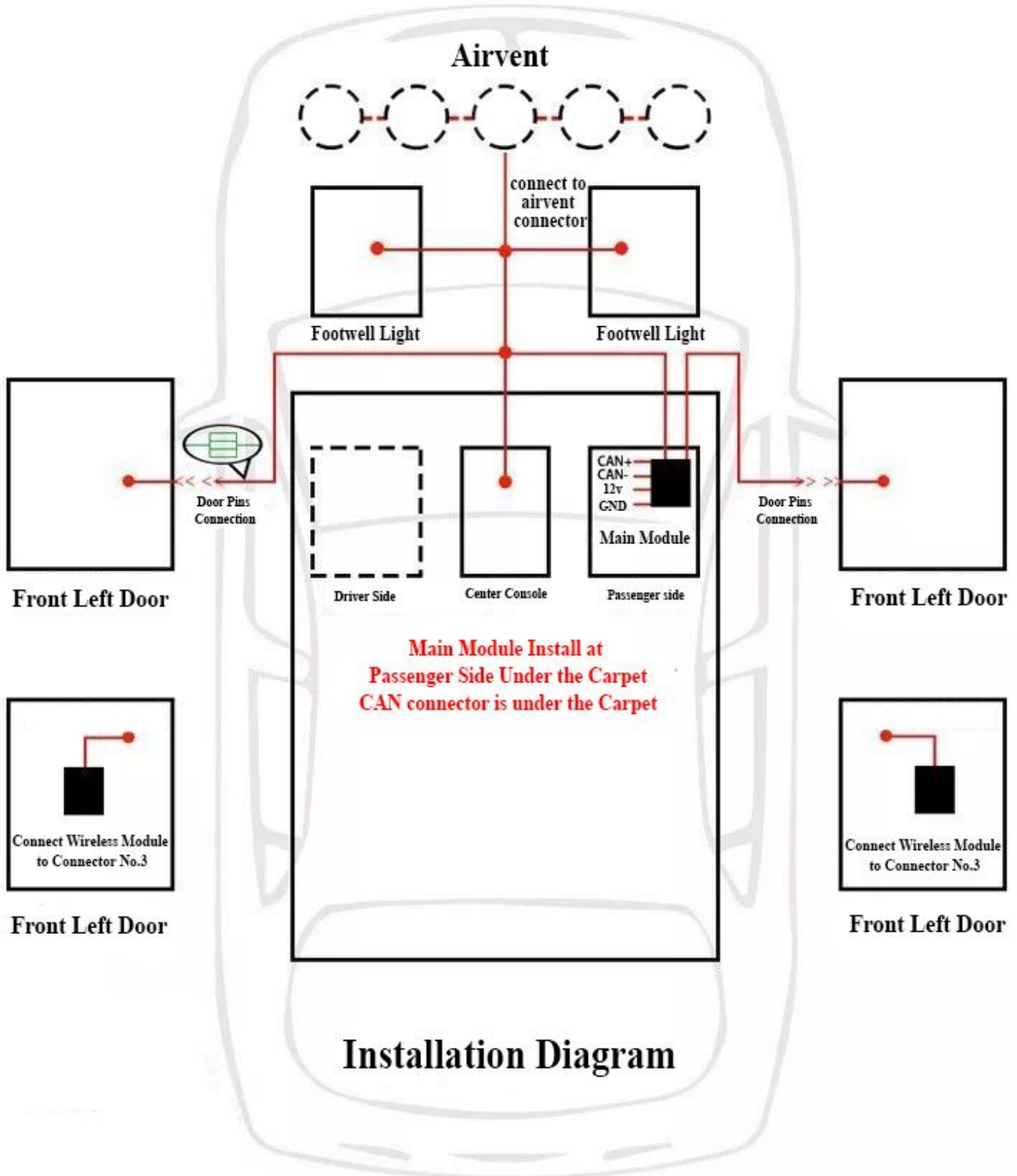


Mercedes Benz C Class W205 809 System 64 colour Ambient light installation instruction



door running wire



door LED

footwell light



center console light

door running wire



door LED



main module

front left

light tube

light tube

front right



rear door module



rear door module

wiring diagram

rear left

rear right

Main Module CAN wire install location: Passenger Side Under the Carpet
You will see there is alot Brown with Red strip wire connect to the connector,
just plug in to any empty slot



Module Power: Connect to Battery Constant 12V

Fuse Location : Driver Side Footwell right side



Connect this fuse 12v Constant power

GND connect to this point

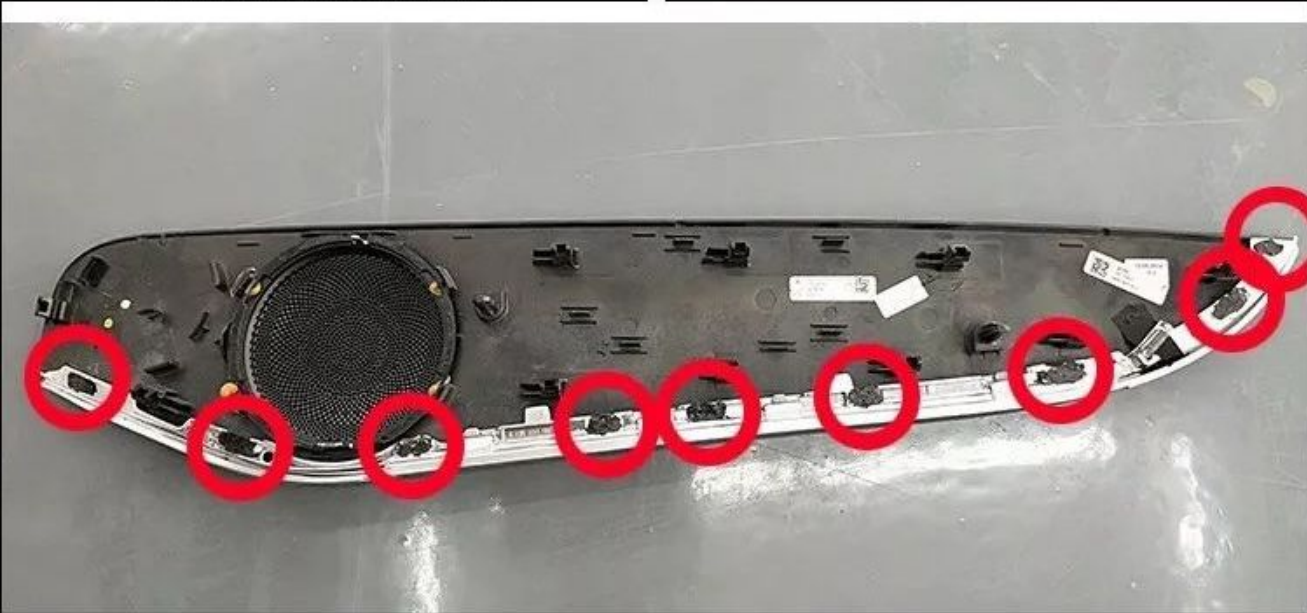
Front Door Installation



**use T30 Screw driver
remove all the screw**



**Pry the door panel, and remove
the door and trim**



remove all the clips and replace with our ambient light silver trim



**pry the clip of door
connector to unplug it**

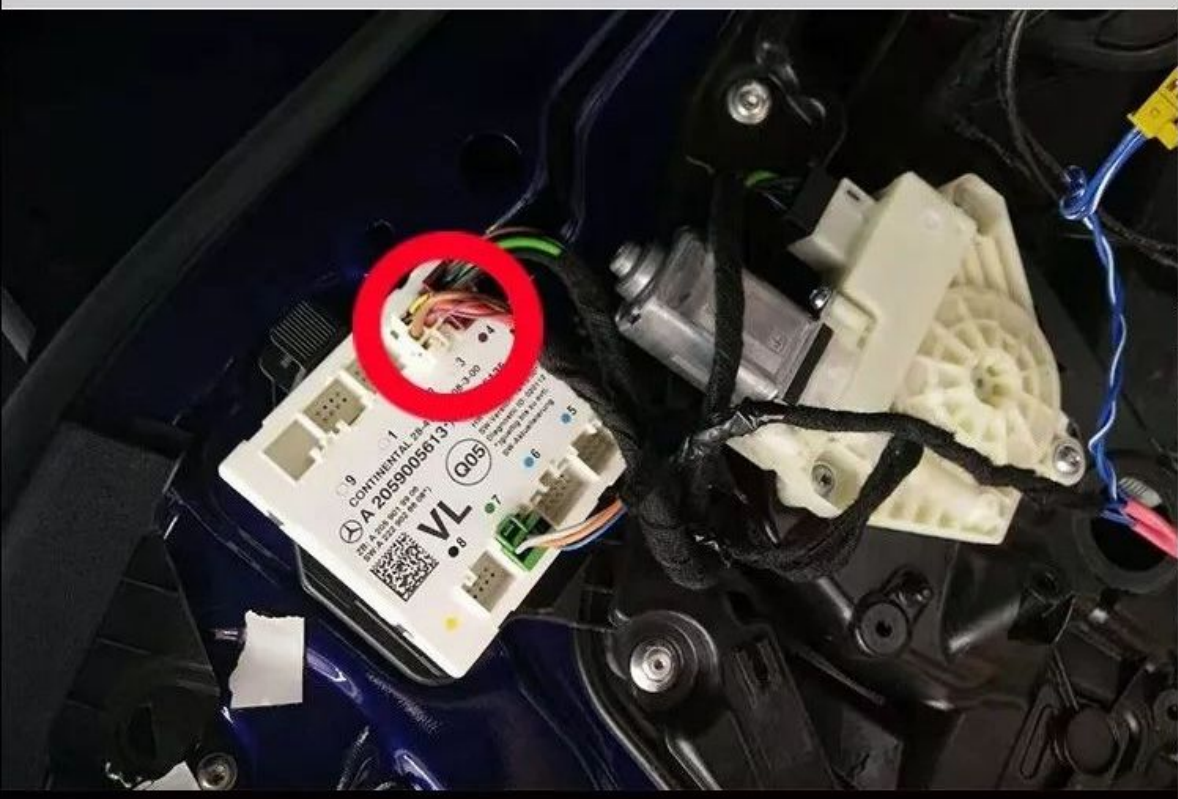


**Pull this way to
disassemble the connector**



Plug in our Door pins ,4 male and 4 female pin according to the wire colour

Rear Door Installation



Connector No 3

Center Console Installation



Pry out the Silver Cover



Pry out the Silver Cover



Remove 2 screw



Pull up the Center Console panel



Slot in Center Console Light Tube and LED bulb



DONE



64 Colour



Multi Colour