

2022 C-Class Coupe Order Guide



Table of Contents

| | |
|-----|---------------------------------------|
| 1 | General Information |
| 2 | What's New |
| 3 | Models |
| 4 | Equipment |
| 4.1 | Standard Equipment |
| 4.2 | Exterior Paint Colors |
| 4.3 | Wheels |
| 4.4 | Interior Upholstery |
| 4.6 | Interior Trims |
| 4.7 | Packages |
| 4.8 | Options |
| 4.9 | Specifications |
| 5 | Options In Detail |
| 6 | Gallery |



General Information

Important Note

The information presented in this guide is based on the most current information available and is intended for internal use only. Mercedes-Benz reserves the right to make changes at any time, without notice, to colors, materials, equipment, special specifications and models.

Pricing may not yet be finalized for some models or options.

Due to variances among monitors and printers the colors that appear on your screen and printouts may not be exact.

For illustrative purposes, some images may show vehicles with European Specification.

Revision History

| Date | Description |
|------------|----------------------|
| 05/25/2021 | Initial publication. |



What's New

Standard Equipment

- **Parking Damage Detection (852)**, previously as an item in the Parking Assistance Package, now standard
- **Adaptive Highbeam Assist (608)**, previously as a standalone option, now standard

Optional Equipment

- **AMG Line (DG3)** now contains perforated brake discs with Mercedes-Benz lettered calipers
- **Pre-Installation for SD-Card Navigation (355)** discontinued
- **Due to Adaptive Highbeam Assist now being standard, Intelligent Light System (640) discontinues as a package and is now a standalone option**

Paint

- **Cirrus Silver Metallic (922)** replaces Iridium Silver Metallic (775)
- **Starling Blue Metallic (970)** replaces Brilliant Blue Metallic (896)

Upholstery

- **MANUFAKTUR** replaces designo designation
- **Magma Grey MB-Tex (138)** and **Magma Grey Leather (238)** discontinued
- **967 designo Bengal Red Nappa Leather discontinued. As a result, designo Bengal Red Nappa Leather Package (DD1) discontinued**

Wheels

- **18" Multispoke Wheels w/ Black Accents (R86)** discontinued
- **19" 10-Spoke Wheels (R09)** discontinued
- **19" Twin 5-Spoke Wheels (R90)** discontinued

VPC Accessories

- **MB Entry Navigation (D22)** discontinued
- **Rear Trim, Chrome (D19)** discontinued
- **Mirror Housing Covers, Black (D12) and Carbon Style (D17)** discontinued



Models



C300C (205.383)

- MSRP: TBD
- Transmission: 9G-TRONIC
- Transmission Speeds: 9
- Acceleration 0-60 mph (sec): 5.9
- Engine Configuration: 2.0L inline-4 turbo engine
- Power (hp): 255
- Torque (lb-ft): 273
- Launch Date: Fall 2021



C300C4 (205.384)

- MSRP: TBD
- Transmission: 9G-TRONIC
- Transmission Speeds: 9
- Acceleration 0-60 mph (sec): 5.9
- Engine Configuration: 2.0L inline-4 turbo engine
- Power (hp): 255
- Torque (lb-ft): 273
- Launch Date: Fall 2021



Standard Equipment

C300C



Performance & Handling

- 2.0L inline-4 turbo engine
- Multi-Link Front Suspension
- DYNAMIC SELECT
- ECO Start/Stop Technology
- Sport-tuned Suspension
- 9G-TRONIC 9-Speed Automatic Transmission
- Multi-Link Independent Rear Suspension
- All-Season Tires
- 18" Wheels
- Adaptive Braking Technology

Comfort & Convenience

- Burmester® Surround Sound System
- HANDS-FREE ACCESS w/ Electronic Trunk Closer
- Bluetooth® Technology (for Handsfree Phone Use/Audio Streaming)
- Two USB Ports
- Power Heated Front Seats with Driver Memory and 4-way Lumbar Support
- Electronic Cruise Control
- Power-Folding Side Mirrors
- Multifunction leather steering wheel w/ Haptic Touchpads
- 10.25" High-Resolution Central Color Display w/ Central Controller
- Garage Door Opener
- Automatic Seatbelt Extender
- Auto-Dimming Driver & Rearview Mirror
- Wood Trim and Analog Clock
- KEYLESS-GO® w/ KEYLESS-START
- SiriusXM® Satellite Radio w/ 6-month Trial
- 12.3" Digital Instrument Cluster
- 64-Color Ambient Lighting w/ Illuminated Door Sills
- Power Tilt & Telescoping Steering Column
- Power Windows with Express Up and Down
- Automatic LED Headlamps with Twilight Sensor & Locator Lighting
- Smartphone Integration
- Dual-zone Automatic Climate Control
- Intermittent Wipers with Rain Sensor
- Panorama Sunroof
- Split-Folding Rear Seats (40/20/40)

Safety & Security

- New Vehicle 4 Year/50,000 Mile Warranty
- Blind Spot Assist
- Front Dual-Stage Airbags
- Front Side Airbags
- Rearview Camera
- ATTENTION ASSIST Driver Drowsiness Monitor
- PRE-SAFE®
- Anti-theft Alarm System
- Adaptive Highbeam Assist
- 24h Roadside Assistance Program
- 3-point Seat Belt with Pretensioners & Dual-Stage Belt Force Limiter
- Front and Rear Side Window Airbags
- Driver & Passenger Kneebags
- ISOFIX Anchor and Tether System
- Active Brake Assist
- Tire Pressure Monitoring System
- Parking Damage Detection



Performance & Handling

- 2.0L inline-4 turbo engine
- Multi-Link Front Suspension
- DYNAMIC SELECT
- ECO Start/Stop Technology
- Sport-tuned Suspension
- 9G-TRONIC 9-Speed Automatic Transmission
- Multi-Link Independent Rear Suspension
- All-Season Tires
- 18" Wheels
- Adaptive Braking Technology

Comfort & Convenience

- Burmester® Surround Sound System
- HANDS-FREE ACCESS w/ Electronic Trunk Closer
- Bluetooth® Technology (for Handsfree Phone Use/Audio Streaming)
- Two USB Ports
- Power Heated Front Seats with Driver Memory and 4-way Lumbar Support
- Electronic Cruise Control
- Power-Folding Side Mirrors
- Multifunction leather steering wheel w/ Haptic Touchpads
- 10.25" High-Resolution Central Color Display w/ Central Controller
- Garage Door Opener
- Automatic Seatbelt Extender
- Auto-Dimming Driver & Rearview Mirror
- Wood Trim and Analog Clock
- KEYLESS-GO® w/ KEYLESS-START
- SiriusXM® Satellite Radio w/ 6-month Trial
- 12.3" Digital Instrument Cluster
- 64-Color Ambient Lighting w/ Illuminated Door Sills
- Power Tilt & Telescoping Steering Column
- Power Windows with Express Up and Down
- Automatic LED Headlamps with Twilight Sensor & Locator Lighting
- Smartphone Integration
- Dual-zone Automatic Climate Control
- Intermittent Wipers with Rain Sensor
- Panorama Sunroof
- Split-Folding Rear Seats (40/20/40)

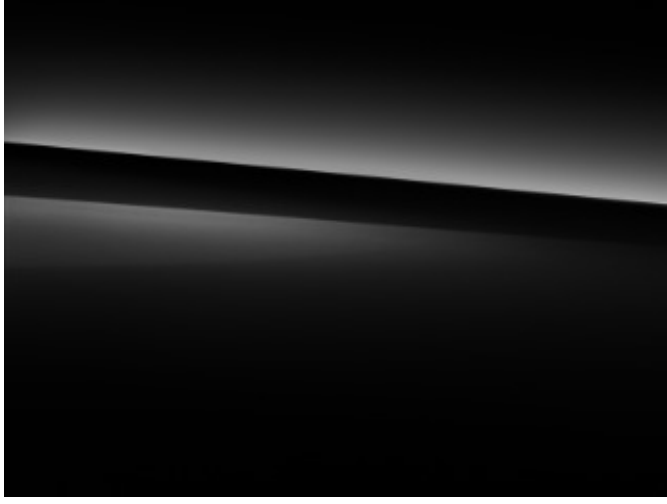
Safety & Security

- New Vehicle 4 Year/50,000 Mile Warranty
- Blind Spot Assist
- Front Dual-Stage Airbags
- Front Side Airbags
- Rearview Camera
- ATTENTION ASSIST Driver Drowsiness Monitor
- PRE-SAFE®
- Anti-theft Alarm System
- 24h Roadside Assistance Program
- 3-point Seat Belt with Pretensioners & Dual-Stage Belt Force Limiter
- Front and Rear Side Window Airbags
- Driver & Passenger Kneebags
- ISOFIX Anchor and Tether System
- Active Brake Assist
- Tire Pressure Monitoring System

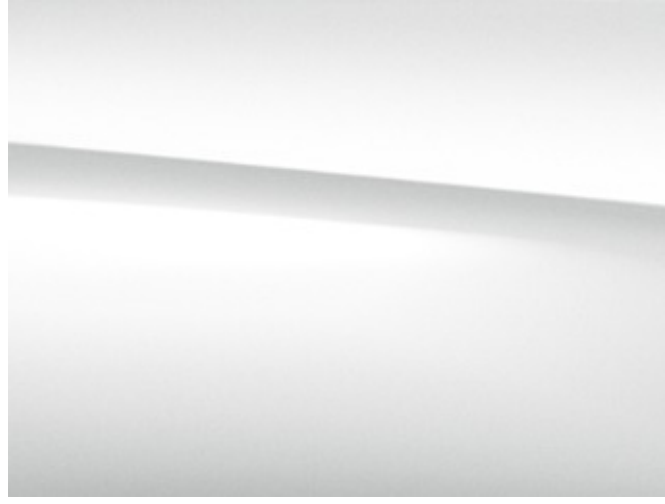


Paint

Non-Metallic Paints

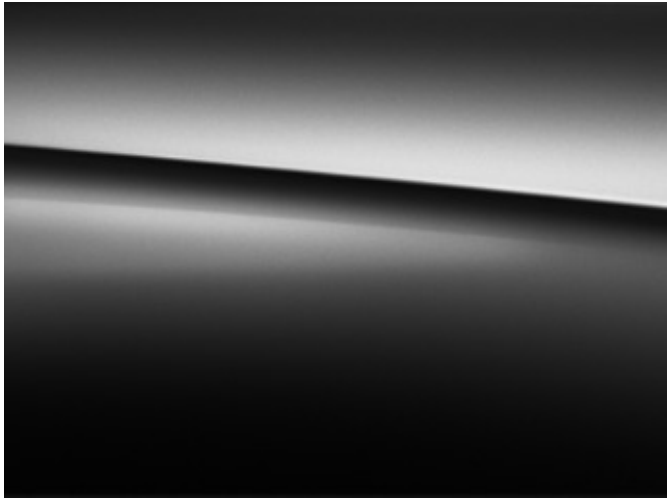


040 - Black

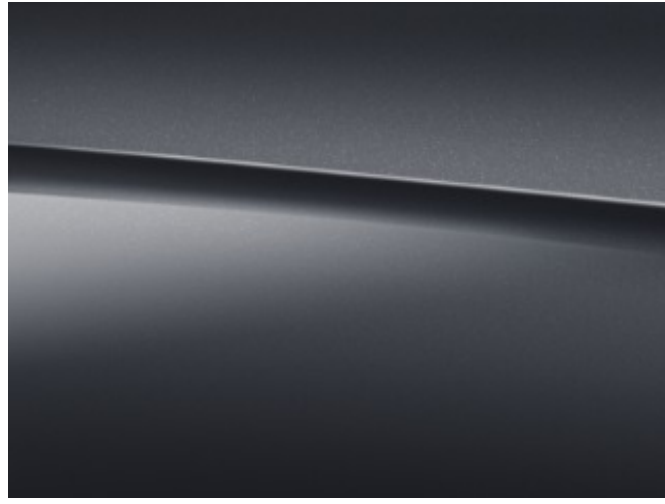


149 - Polar White

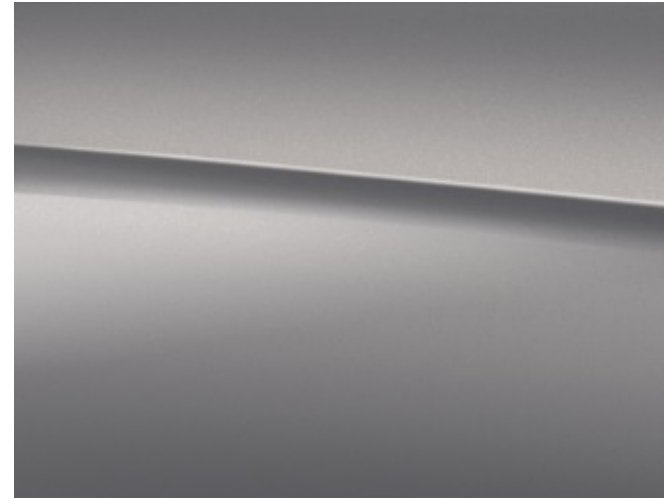
Metallic Paints



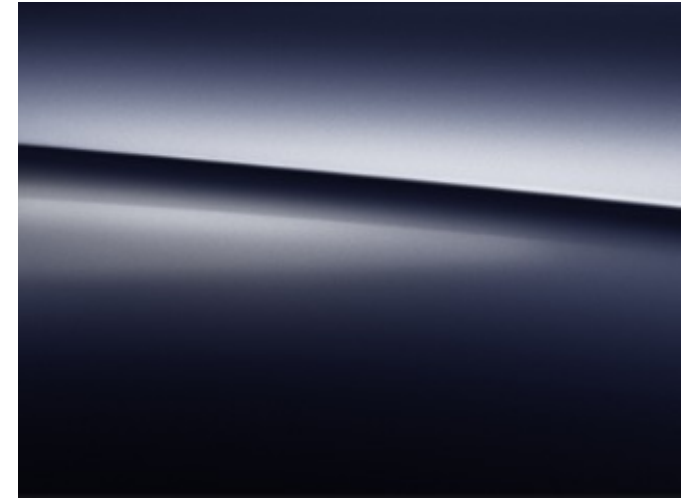
197 - Obsidian Black



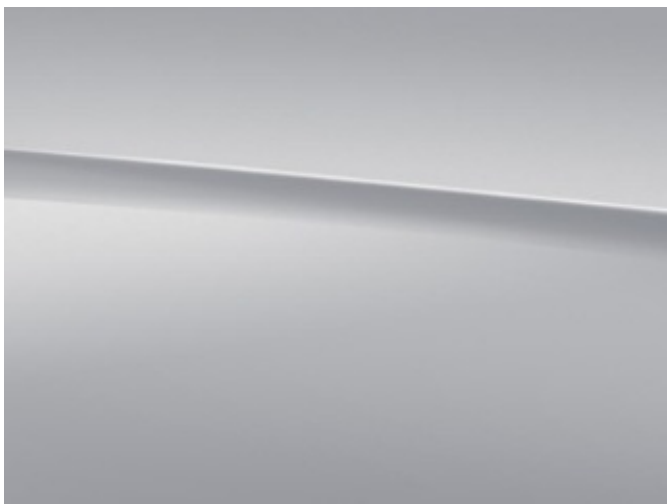
831 - Graphite Grey



859 - Mojave Silver



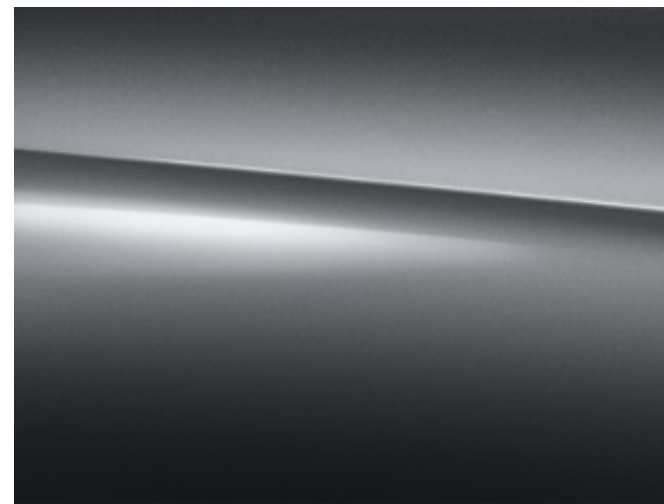
890 - Lunar Blue



922 - Cirrus Silver



970 - Starling Blue



992 - Selenite Grey

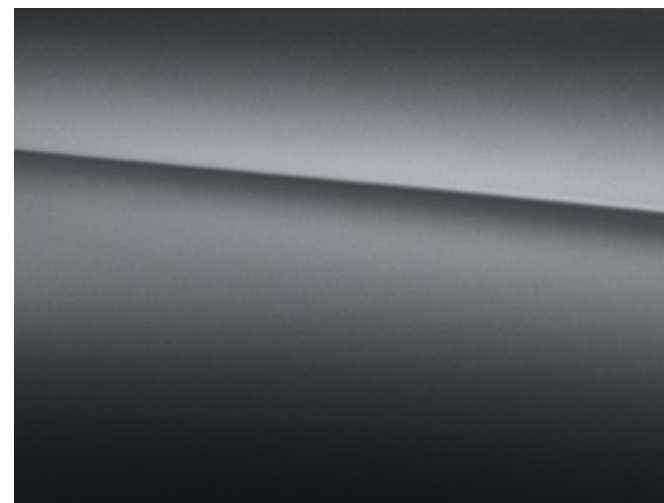
designo Paints



996 - Cardinal Red Metallic



799 - Diamond White Metallic



297 - Selenite Grey Magno

| <i>Code</i> | <i>Description</i> | <i>Availability</i> | <i>Price</i> |
|-------------|------------------------|---------------------|--------------|
| 040 | Black | All Models | \$0 |
| 149 | Polar White | All Models | \$0 |
| 197 | Obsidian Black | All Models | \$750 |
| 831 | Graphite Grey | All Models | \$750 |
| 859 | Mojave Silver | All Models | \$750 |
| 890 | Lunar Blue | All Models | \$750 |
| 922 | Cirrus Silver | All Models | \$750 |
| 970 | Starling Blue | All Models | \$750 |
| 992 | Selenite Grey | All Models | \$750 |
| 996 | Cardinal Red Metallic | All Models | \$1,080 |
| 799 | Diamond White Metallic | All Models | \$1,515 |
| 297 | Selenite Grey Magno | All Models | \$2,020 |



Wheels



22R - 18" Split 5-Spoke Wheels

18"
R02, R66
Split 5-Spoke Wheels
225/45 R 18 on 7.5 J x 18 ET 44 (Front)
245/40 R 18 on 8.5 J x 18 ET 56 (Rear)



RSJ - 18" AMG 5-Spoke Wheels

Requires AMG Line (DG3)
18"
R02, R66
AMG 5-Spoke Wheels
225/45 R 18 on 7.5 J x 18 ET 44 (Front)
245/40 R 18 on 8.5 J x 18 ET 49 (Rear)



RSK - 18" AMG 5-Spoke Wheels w/ Black Accents

Requires Night Package (DC1)
18"
R02, R66
AMG 5-Spoke Wheels w/ Black Accents

225/45 R 18 on 7.5 J x 18 ET 44 (Front)
245/40 R 18 on 8.5 J x 18 ET 49 (Rear)



788 - 19" AMG Multispoke Wheels

Requires AMG Line (DG3)
19"
R01, R66
AMG Multispoke Wheels
225/40 R 19 on 7.5 J x 19 ET 44 (Front)
255/35 R 19 on 8.5 J x 19 ET 52 (Rear)



665 - 19" AMG Multispoke Wheels w/ Black Accents

Requires Night Package (DC1)
19"
R01, R66
AMG Multispoke Wheels w/ Black Accents
225/40 R 19 on 7.5 J x 19 ET 44 (Front)
255/35 R 19 on 8.5 J x 19 ET 52 (Rear)



604 - 19" AMG Twin 5-Spoke Wheels w/ Black Accents

Requires Night Package (DC1)
19"
R01, R66
AMG Twin 5-Spoke Wheels w/ Black Accents
225/40 R 19 on 7.5 J x 19 ET 44 (Front)
255/35 R 19 on 8.5 J x 19 ET 49 (Rear)

| Code | Wheel Size | Description | Wheel Dimensions | Mobility | Availability | MSRP |
|------|------------|--|--|----------|--------------|-------|
| 22R | 18" | Split 5-Spoke Wheels | 225/45 R 18 on 7.5 J x 18 ET 44 (Front) 245/40 R 18 on 8.5 J x 18 ET 56 (Rear) | R02, R66 | All Models | \$0 |
| RSJ | 18" | AMG 5-Spoke Wheels Requires AMG Line (DG3) | 225/45 R 18 on 7.5 J x 18 ET 44 (Front) 245/40 R 18 on 8.5 J x 18 ET 49 (Rear) | R02, R66 | All Models | \$0 |
| RSK | 18" | AMG 5-Spoke Wheels w/ Black Accents Requires Night Package (DC1) | 225/45 R 18 on 7.5 J x 18 ET 44 (Front) 245/40 R 18 on 8.5 J x 18 ET 49 (Rear) | R02, R66 | All Models | \$0 |
| 788 | 19" | AMG Multispoke Wheels Requires AMG Line (DG3) | 225/40 R 19 on 7.5 J x 19 ET 44 (Front) 255/35 R 19 on 8.5 J x 19 ET 52 (Rear) | R01, R66 | All Models | \$500 |
| 665 | 19" | AMG Multispoke Wheels w/ Black Accents Requires Night Package (DC1) | 225/40 R 19 on 7.5 J x 19 ET 44 (Front) 255/35 R 19 on 8.5 J x 19 ET 52 (Rear) | R01, R66 | All Models | \$500 |
| 604 | 19" | AMG Twin 5-Spoke Wheels w/ Black Accents Requires Night Package (DC1) | 225/40 R 19 on 7.5 J x 19 ET 44 (Front) 255/35 R 19 on 8.5 J x 19 ET 49 (Rear) | R01, R66 | All Models | \$500 |



Upholstery

MB Tex



101 - Black



105 - Silk Beige/Black



124 - Saddle Brown/Black

Leather



201 - Black



224 - Saddle Brown/Black



225 - Porcelain/Black



227 - Cranberry Red



| <i>Code</i> | <i>Description</i> | <i>Availability</i> | <i>Price</i> |
|-------------|--------------------|---------------------|--------------|
| 101 | Black | All Models | \$0 |
| 105 | Silk Beige/Black | All Models | \$0 |
| 124 | Saddle Brown/Black | All Models | \$0 |
| 201 | Black | All Models | \$1,620 |
| 224 | Saddle Brown/Black | All Models | \$1,620 |
| 225 | Porcelain/Black | All Models | \$1,620 |
| 227 | Cranberry Red | All Models | \$1,620 |

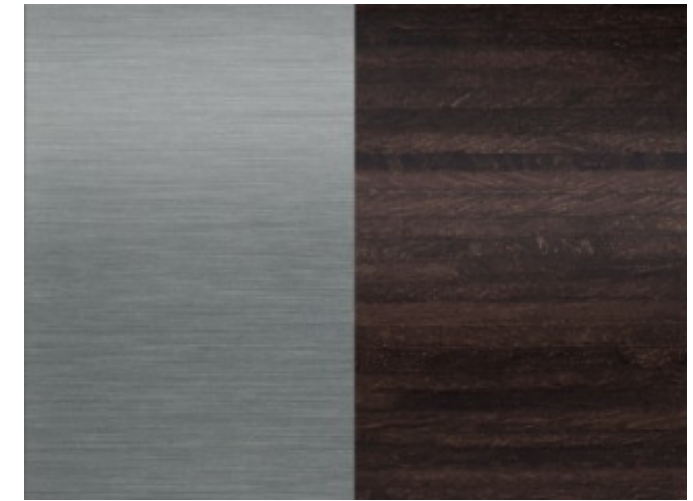
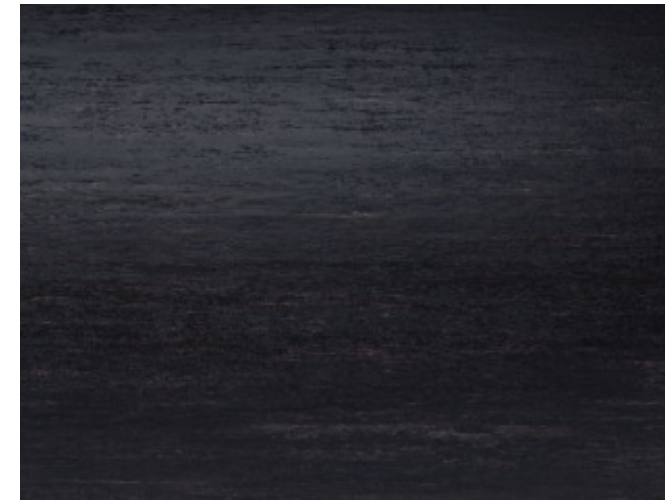
| <i>Code</i> | <i>Upholstery</i> | <i>Seats</i> | <i>Floor Mats</i> | <i>Upper Dash/Lower Dash</i> | <i>Seat Belts</i> | <i>Steering Wheel</i> | <i>Headliner</i> |
|-------------|--------------------|---------------|-------------------|------------------------------|-------------------|-----------------------|------------------|
| 101 | Black | Black | Black | Black/Black | Black | Black | Crystal Grey* |
| 105 | Silk Beige/Black | Silk Beige | Black | Black/Beige | Beige | Black | Porcelain* |
| 124 | Saddle Brown/Black | Saddle Brown | Black | Black/Black | Black | Black | Black |
| 201 | Black | Black | Black | Black/Black | Black | Black | Crystal Grey* |
| 224 | Saddle Brown/Black | Saddle Brown | Black | Black/Black | Black | Black | Black |
| 225 | Porcelain/Black | Porcelain | Black | Black/Black | Black | Black | Black |
| 227 | Cranberry Red | Cranberry Red | Black | Black/Black | Black | Black | Black |

C300C Notes: *: Replaced by Black Headliner when equipped with AMG Line (DG3).

C300C4 Notes: *: Replaced by Black Headliner when equipped with AMG Line (DG3).



Trims



737+739 - Natural Grain Black Ash Wood & Aluminum

Requires AMG Line (DG3)

H07 - Dark Brown Linden Wood

H31 - Natural Grain Grey Oak Wood

H33 - Natural Grain Walnut Wood & Aluminum

| <i>Code</i> | <i>Description</i> | <i>Availability</i> | <i>Price</i> |
|-------------|--|---------------------|--------------|
| 737+739 | Natural Grain Black Ash Wood & Aluminum Requires AMG Line (DG3) | All Models | \$0 |
| H07 | Dark Brown Linden Wood | All Models | \$0 |
| H31 | Natural Grain Grey Oak Wood | All Models | \$0 |
| H33 | Natural Grain Walnut Wood & Aluminum | All Models | \$0 |



Packages

| <i>Code</i> | <i>Packages</i> | <i>Availability</i> | <i>MSRP</i> |
|-------------|---|---------------------|-------------|
| DP1 | <p>Premium Package</p> <p>Package is automatically standard</p> <ul style="list-style-type: none"> ▪ 536 - SiriusXM® Satellite Radio ▪ U25 - Illuminated Door Sills ▪ 877 - 64-Color Ambient Lighting ▪ 810 - Burmester® Surround Sound System | All Models | \$0 |
| DA5 | <p>Multimedia Package</p> <ul style="list-style-type: none"> ▪ 448 - Touchpad ▪ 502 - Map Updates for 3 Years ▪ 531 - COMAND navigation | All Models | \$1,250 |
| DA3 | <p>Parking Assist Package</p> <ul style="list-style-type: none"> ▪ 235 - PARKTRONIC with Active Parking Assist ▪ 501 - Surround View System ▪ Rear Cross-Traffic Alert | All Models | \$1,150 |
| DA2 | <p>Driver Assistance Package</p> <p>Requires Multimedia Package (DA5)</p> <ul style="list-style-type: none"> ▪ Active Distance Assist DISTRONIC® ▪ Route-Based Speed Adaptation ▪ Active Blind Spot Assist ▪ Active Brake Assist w/ Cross-Traffic Function ▪ 810 - Burmester® Surround Sound System ▪ Active Steering Assist ▪ Active Emergency Stop Assist ▪ Active Speed Limit Assist ▪ Active Lane Change Assist ▪ Active Lane Keeping Assist ▪ Evasive Steering Assist | All Models | \$1,700 |
| DG3 | <p>AMG Line</p> <p>When ordered with Heated Steering Wheel (443), the Flat-bottom Steering Wheel is replaced with a round steering wheel</p> <ul style="list-style-type: none"> ▪ AMG Floor Mats ▪ P31 - AMG Line Exterior ▪ P29 - AMG Line Interior ▪ Flat-bottom Steering Wheel ▪ Aluminum Pedals ▪ Choice of spoiler: ▪ Diamond Grille in chrome ▪ 51U - Black Fabric Headliner ▪ DG3 Wheel - Choice Of: <ul style="list-style-type: none"> ○ RSJ - 18" AMG 5-Spoke Wheels (+\$0) ○ 788 - 19" AMG Multispoke Wheels (+\$500) | All Models | \$1,850 |
| DC1 | <p>Night Package</p> <p>Requires AMG Line (DG3)</p> <ul style="list-style-type: none"> ▪ DC1 Wheel - Choice of: <ul style="list-style-type: none"> ○ 665 - 19" AMG Multispoke Wheels w/ Black Accents (+\$500) ○ 604 - 19" AMG Twin 5-Spoke Wheels w/ Black Accents (+\$500) ○ RSK - 18" AMG 5-Spoke Wheels w/ Black Accents (+\$0) ▪ P55 - Night Package code ▪ High-gloss black elements: front splitter, grille trim, rear diffuser, side mirrors, window trim | All Models | \$400 |



Options

Factory Options

| <i>Code</i> | <i>Options</i> | <i>Availability</i> | <i>MSRP</i> |
|-------------|---|---------------------|-------------|
| 242 | 3-Stage Passenger Seat Memory | All Models | \$350 |
| 298 | Rear Side Airbags | All Models | \$700 |
| 401 | Ventilated Front Seats Requires Leather Upholstery | All Models | \$450 |
| 443 | Heated Steering Wheel AMG Line (DG3) lose Flat-bottom Steering Wheel | All Models | \$250 |
| 463 | Head-Up Display | All Models | \$1,100 |
| 640 | LED Intelligent Light System | All Models | \$650 |
| 897 | Inductive Wireless Charging & NFC Pairing | All Models | \$200 |
| U09 | MB-TeX Dashboard w/ Topstitching Requires AMG Line (DG3) | All Models | \$350 |



VPC Installed Options

| <i>Code</i> | <i>Options</i> | <i>Availability</i> | <i>MSRP</i> |
|-------------|--|---------------------|-------------|
| D03 | Illuminated Star Not available with Driver Assistance Package (DA2) | All Models | \$450 |
| D07 | Wheel Locking Bolts | All Models | \$150 |
| D08 | Door Handle Inserts, Chrome | All Models | \$100 |
| D10 | Rear Spoiler, Body Color | All Models | \$350 |
| D20 | Rear Spoiler, Carbon Style | All Models | \$350 |
| D21 | Rear Spoiler, Black | All Models | \$350 |
| D33 | All-Season Front Floor Mats, Black Rubber | All Models | \$120 |



Specifications

C300C



Drivetrain

| | |
|---------------------|------------------|
| Transmission | 9G-TRONIC |
| Transmission Speeds | 9 |
| Drive Configuration | Rear-Wheel Drive |

Engine

| | |
|---------------------------|----------------------------|
| Engine Configuration | 2.0L inline-4 turbo engine |
| Power (hp) | 255 |
| Torque (lb-ft) | 273 |
| Fuel Requirement (Octane) | 91 |
| Compression | 10.5 : 1 |
| Fuel Tank Size (gallons) | 17.4 |
| Displacement (cc) | 1,991 |
| # Valves per Cylinder | 4 |

Performance

| | |
|-----------------------------|------------|
| Acceleration 0-60 mph (sec) | 5.9 |
| Top Speed (mph) | 130 (lim.) |

Fuel Economy

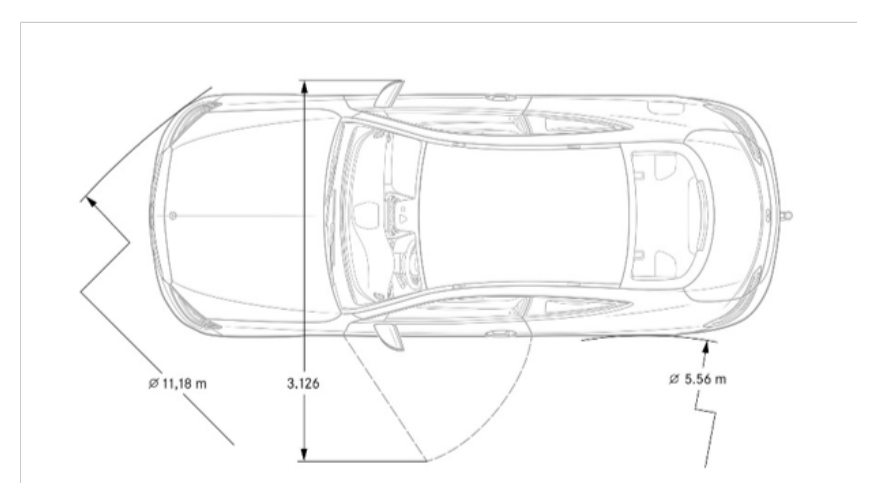
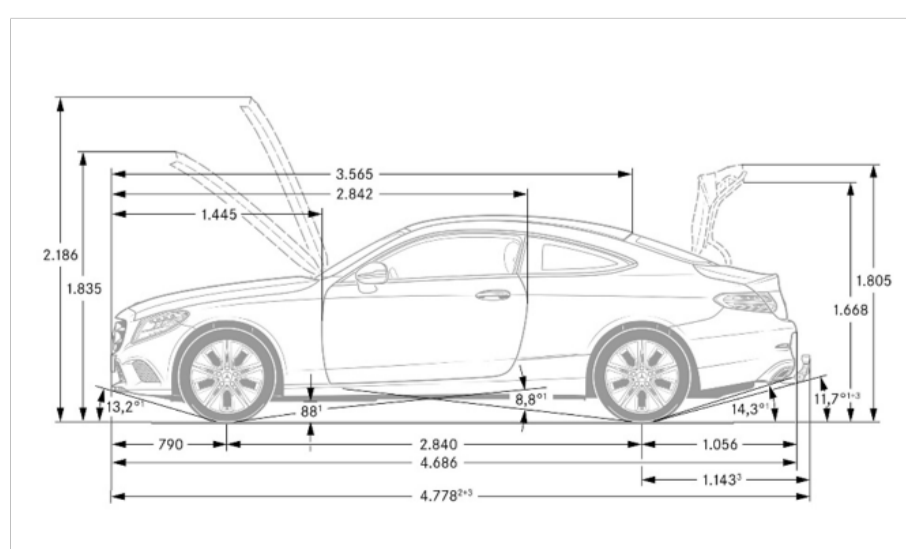
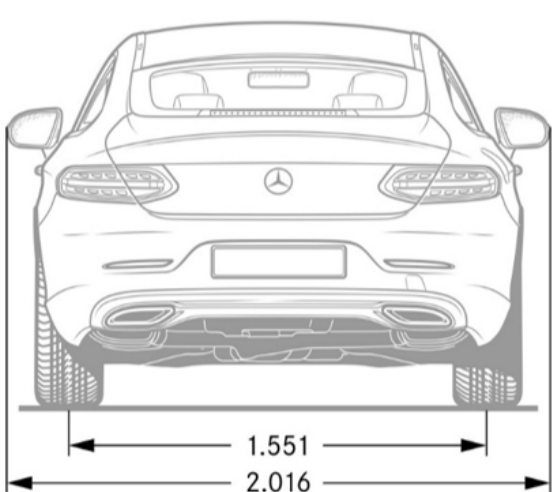
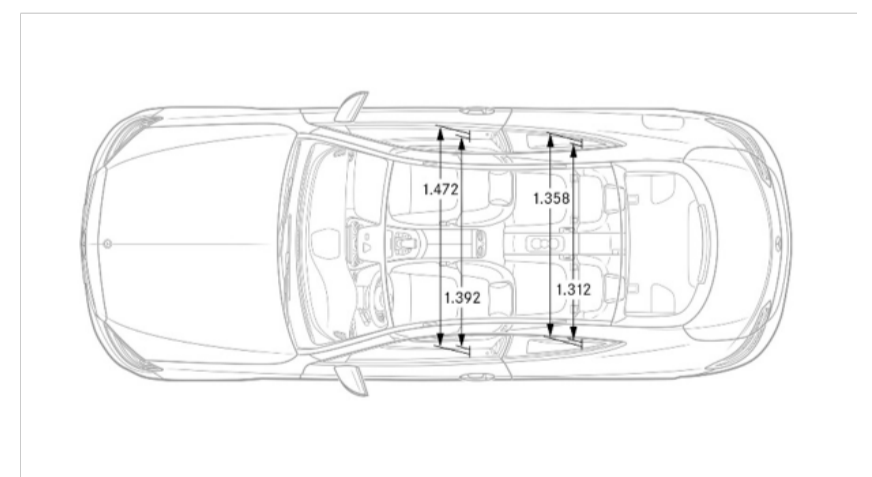
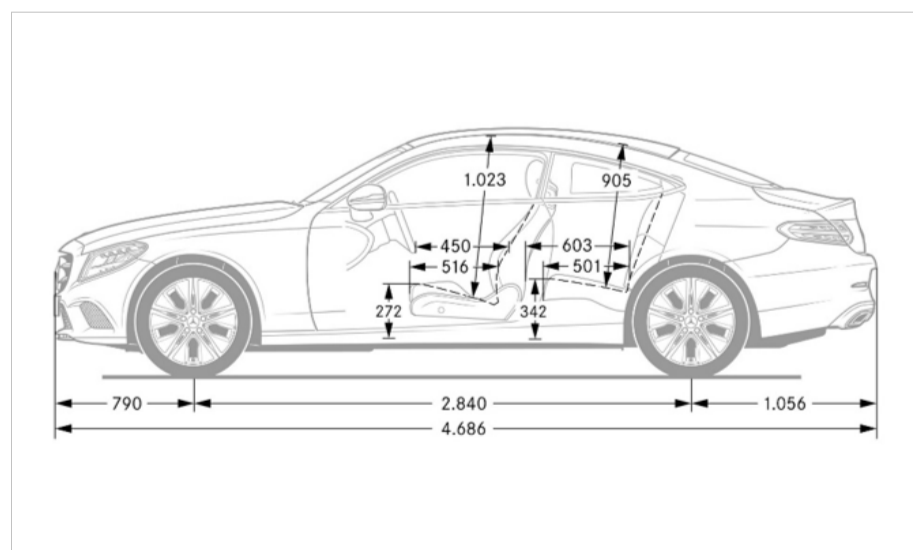
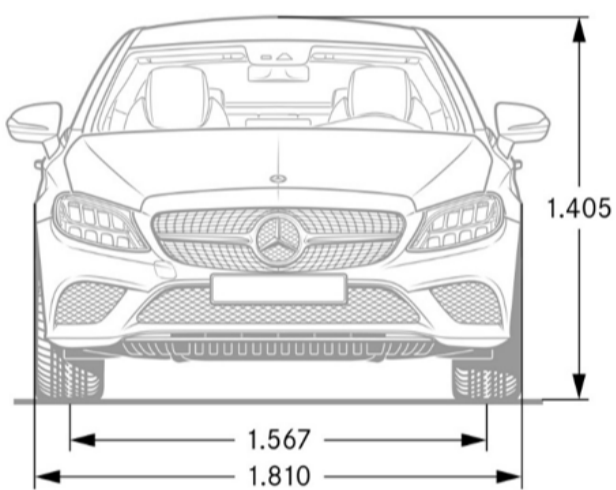
| | |
|--------------|-----|
| Fuel Economy | TBD |
|--------------|-----|

Exterior Dimensions

| | |
|---|-----------|
| Vehicle Length (in.) | 184.5 |
| Vehicle Width w/ Exterior Mirrors (in.) | 79.4 |
| Vehicle Height (in.) | 55.3 |
| Wheelbase (in.) | 111.8 |
| Coefficient of Drag (Cd) | 0.32 |
| Track Width Front/Rear (in.) | 61.7/61.1 |
| Curb Weight (lbs.) | TBD |

Interior Dimensions

| | |
|-------------------------|------|
| Trunk Size (cubic feet) | 10.5 |
|-------------------------|------|



Drivetrain

| | |
|---------------------|-----------------|
| Transmission | 9G-TRONIC |
| Transmission Speeds | 9 |
| Drive Configuration | All-Wheel Drive |

Engine

| | |
|---------------------------|----------------------------|
| Engine Configuration | 2.0L inline-4 turbo engine |
| Power (hp) | 255 |
| Torque (lb-ft) | 273 |
| Fuel Requirement (Octane) | 91 |
| Compression | 10.5 : 1 |
| Fuel Tank Size (gallons) | 17.4 |
| Displacement (cc) | 1,991 |
| # Valves per Cylinder | 4 |

Performance

| | |
|-----------------------------|------------|
| Acceleration 0-60 mph (sec) | 5.9 |
| Top Speed (mph) | 130 (lim.) |

Fuel Economy

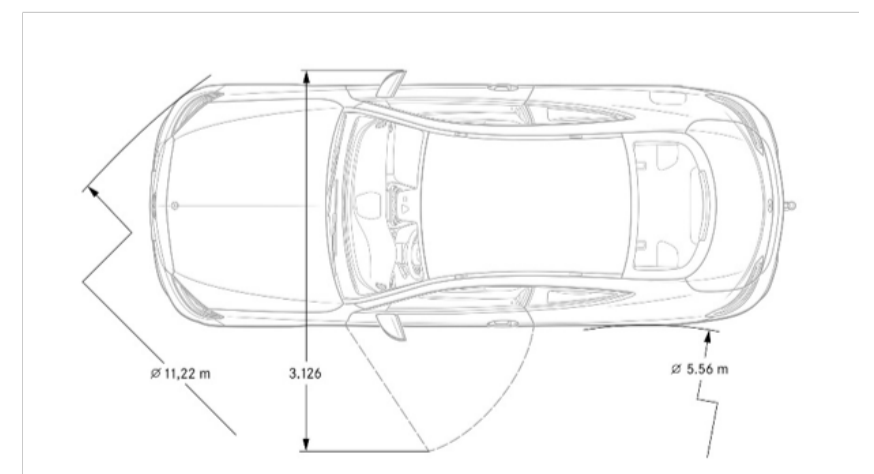
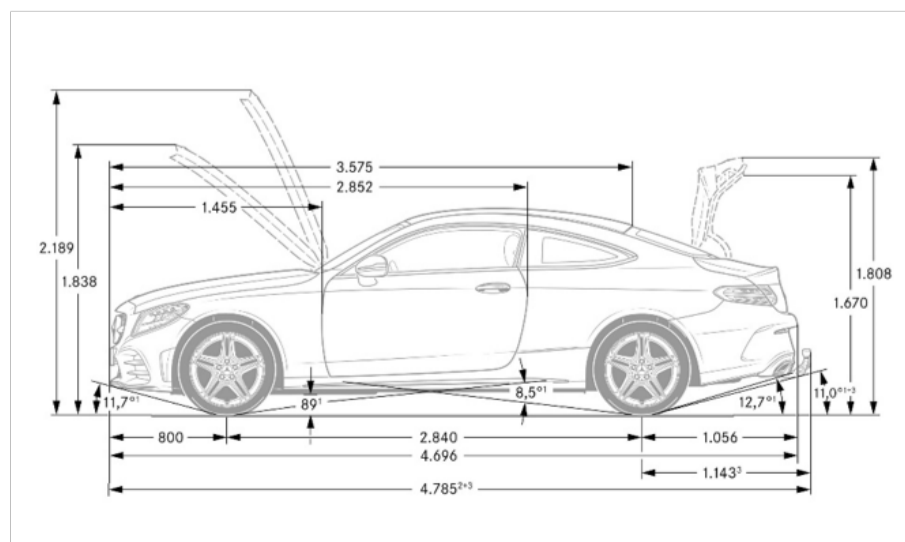
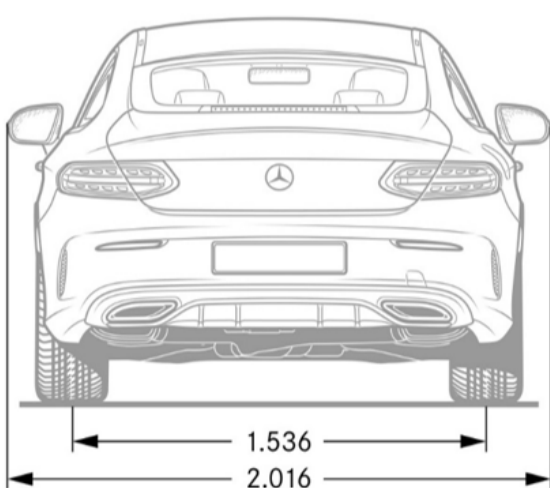
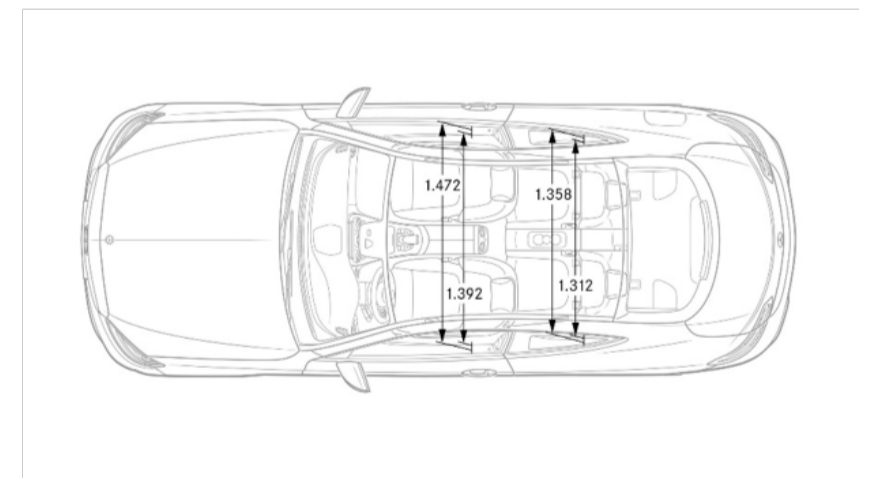
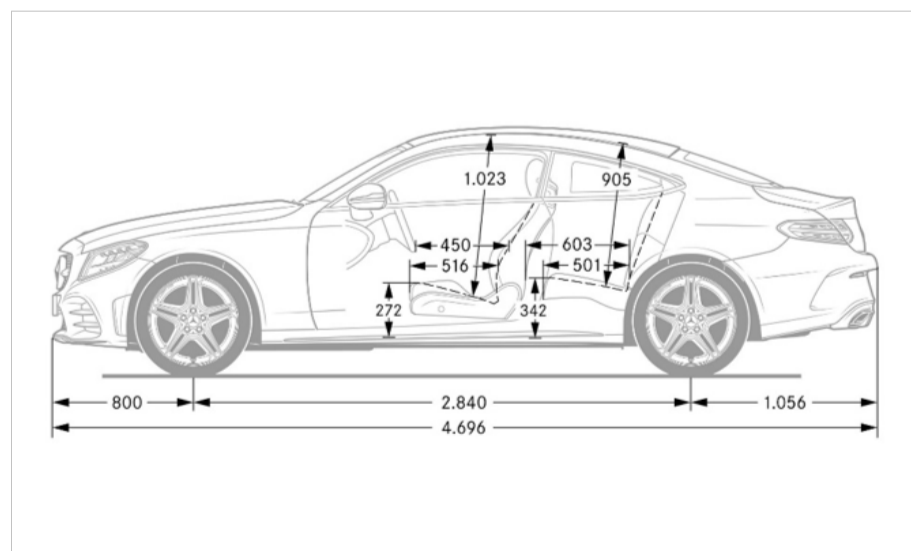
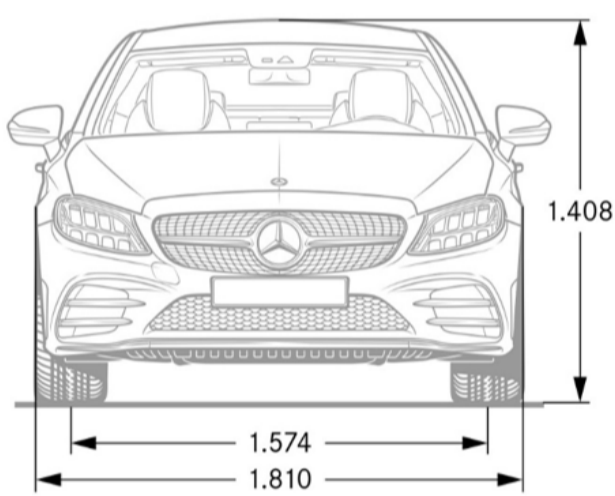
| | |
|--------------|-----|
| Fuel Economy | TBD |
|--------------|-----|

Exterior Dimensions

| | |
|---|-----------|
| Vehicle Length (in.) | 184.5 |
| Vehicle Width w/ Exterior Mirrors (in.) | 79.4 |
| Vehicle Height (in.) | 55.3 |
| Wheelbase (in.) | 111.8 |
| Coefficient of Drag (Cd) | 0.32 |
| Track Width Front/Rear (in.) | 61.5/60.9 |
| Curb Weight (lbs.) | TBD |

Interior Dimensions

| | |
|-------------------------|------|
| Trunk Size (cubic feet) | 10.5 |
|-------------------------|------|



Options In Detail

Advanced Alarm System and Parking Damage Detection (Codes: 551, 852, and 08U)



Standard equipment

This system combines a number of security features that improve protection for both your vehicle and any valuables in the interior. It gives an audible and visual warning when it detects a break-in, attempted theft, interior motion, unauthorized towing, and even damage while the vehicle is parked.

An alert is then also sent to your mobile device for quick response. From the Mercedes me connect app, the user is made aware of the issue and is even able to turn off the alarm. Once back in the vehicle, a notification on the central display will detail what issue was detected.

1. The Advanced Alarm System is able to recognize unauthorized attempts to open the vehicle doors or trunk, along with detecting any motion inside the vehicle. The integrated tow-away protection is activated as soon as a change in the vehicle's position is detected and an alarm is triggered in this case as well.

- The vehicle's interior is monitored via an ultrasound sensor located in the overhead control unit which will detect movement within the vehicle once the alarm is active (after the vehicle is locked)
- Contact sensors located in the vehicle's doors and trunk lid will detect any unauthorized access to the vehicle, triggering an alarm and a notification via the Mercedes me connect app and in the headunit
- Notifications are sent to the Mmc app when doors/trunk/hood are opened, movement is detected inside vehicle, or towing sensors are triggered

2. Parking Damage Detection can identify potential damages to a parked vehicle by measuring impacts with an accelerometer located in the overhead control unit. The customer will be notified about damage events through the Mercedes me connect app as well as in the central display once back in the vehicle.

- The trigger levels can be detected in different levels: minor, moderate, etc.
- The system is active when the vehicle is at a standstill and locked
- Notifications are sent to the Mmc app when parking damage is detected
- Once back inside the vehicle, a notification will ask the user if the damage is severe enough to need assistance from the CAC

Smartphone Integration (14U)



Standard equipment

Includes Android Auto and Apple CarPlay

Smartphone Integration makes safe use of mobile devices possible while on the move. The connection to the smartphone allows access to up-to-date software and data such as navigation and traffic information, media (streaming media and IP radio) as well as contact data and messaging. To prevent driver distraction while on the move, there is no complete duplication of smartphone content.

Note: A data connection via the mobile phone is necessary for certain functions. The functions supported also depend on the smartphone. The information provided by the smartphone manufacturer will also indicate the compatible devices and functions.

Multimedia Package (DA5)



Option price: \$1,250

The Multimedia Package offers advanced headunit and navigation software for the C-Class. COMAND has been upgraded to NTG 5.5 - the same level as the E-Class and S-Class, and includes Enhanced Voice Control. Full maps with 3D capability and 3 years of free updates are included as well as SNAP overlays for gas prices, weather, parking availability, and more. Live Traffic information and Car-to-X Communication are also included alongside COMAND.

Multimedia Package is required for the Driver Assistance Package as well as any online functions like MB Apps and WiFi.

Digital Instrument Cluster



Digital Instrument Cluster (464)

Standard equipment

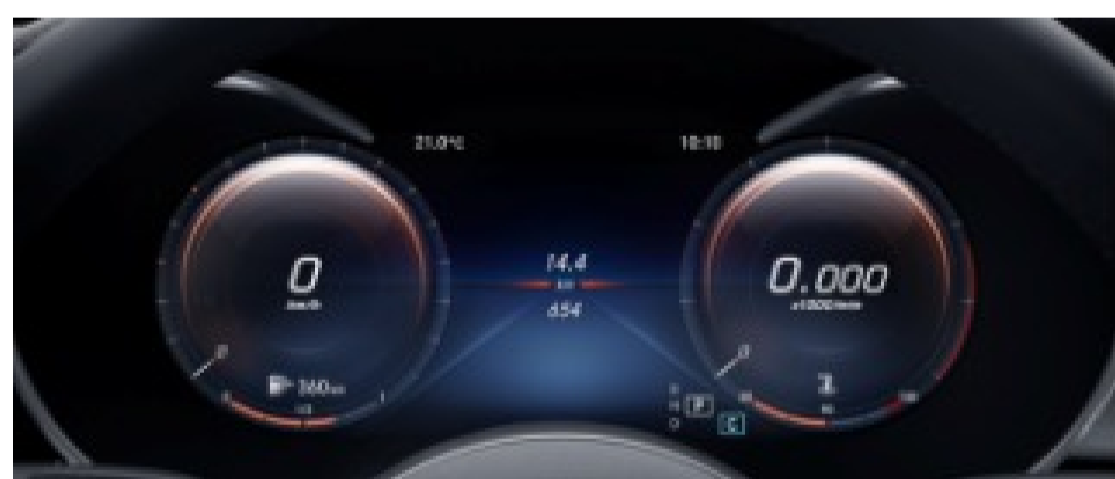
The C-Class will offer the option to have a high-resolution 12.3" digital instrument cluster with three different modes: Classic, Sport, and Progressive. Unlike many other models with this option, the C-Class integrates the digital instrument cluster within the dash so the geometry of the dash is the same as without the option.

The three separate modes allow the driver to customize the digital instrument cluster to his/her liking. Additionally, with the added digital space, there is greater functionality for navigation, multimedia, and other information within the digital instrument cluster itself.

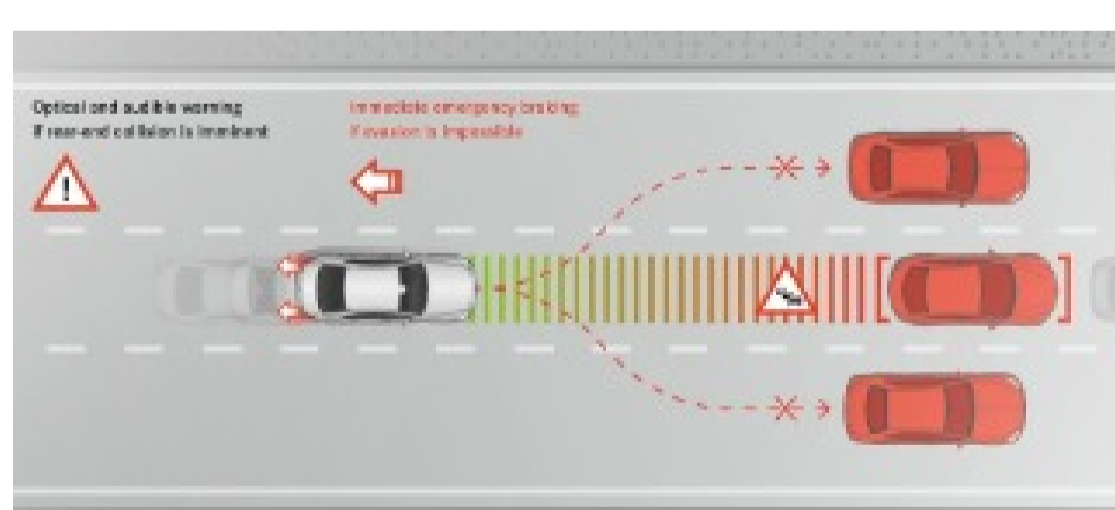
Pictured Top: "Classic" design

Pictured Middle: "Sport" design

Pictured Bottom: "Progressive" design



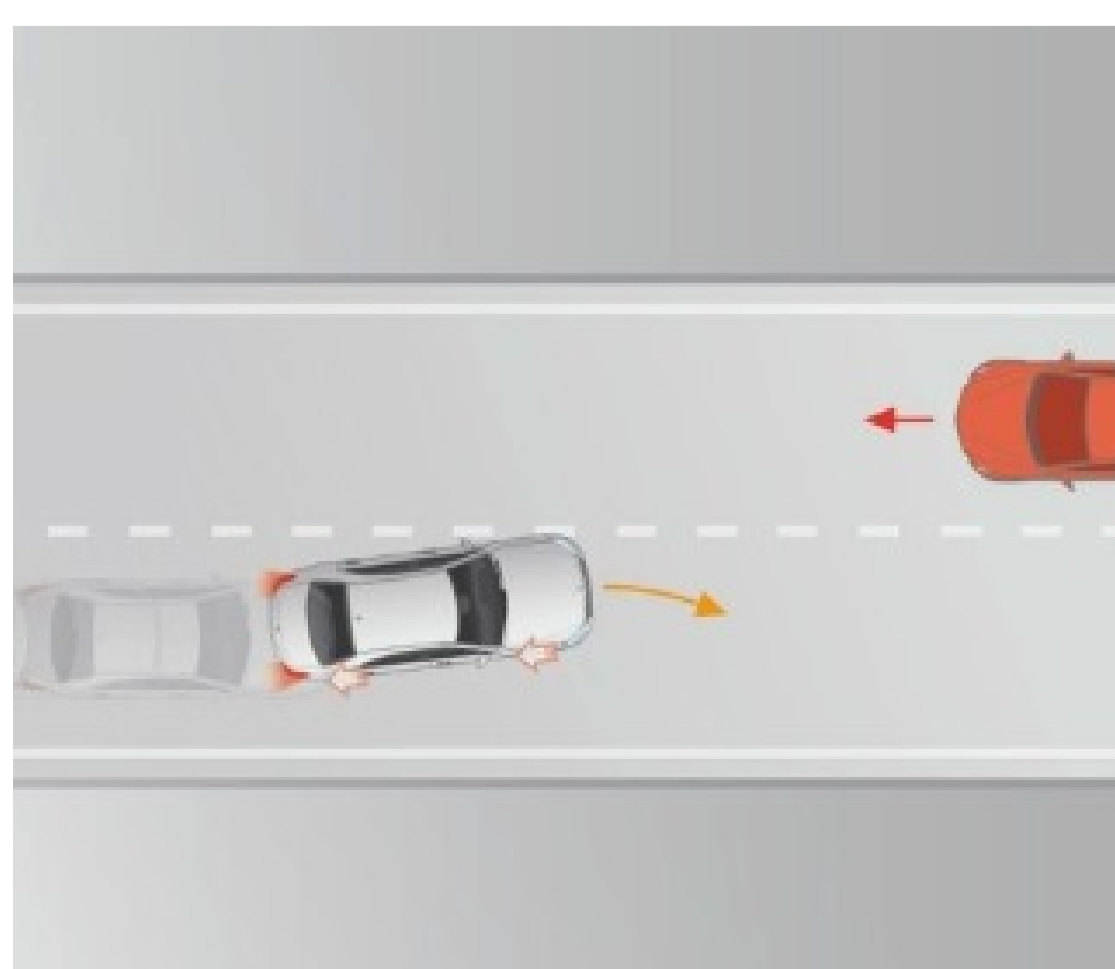
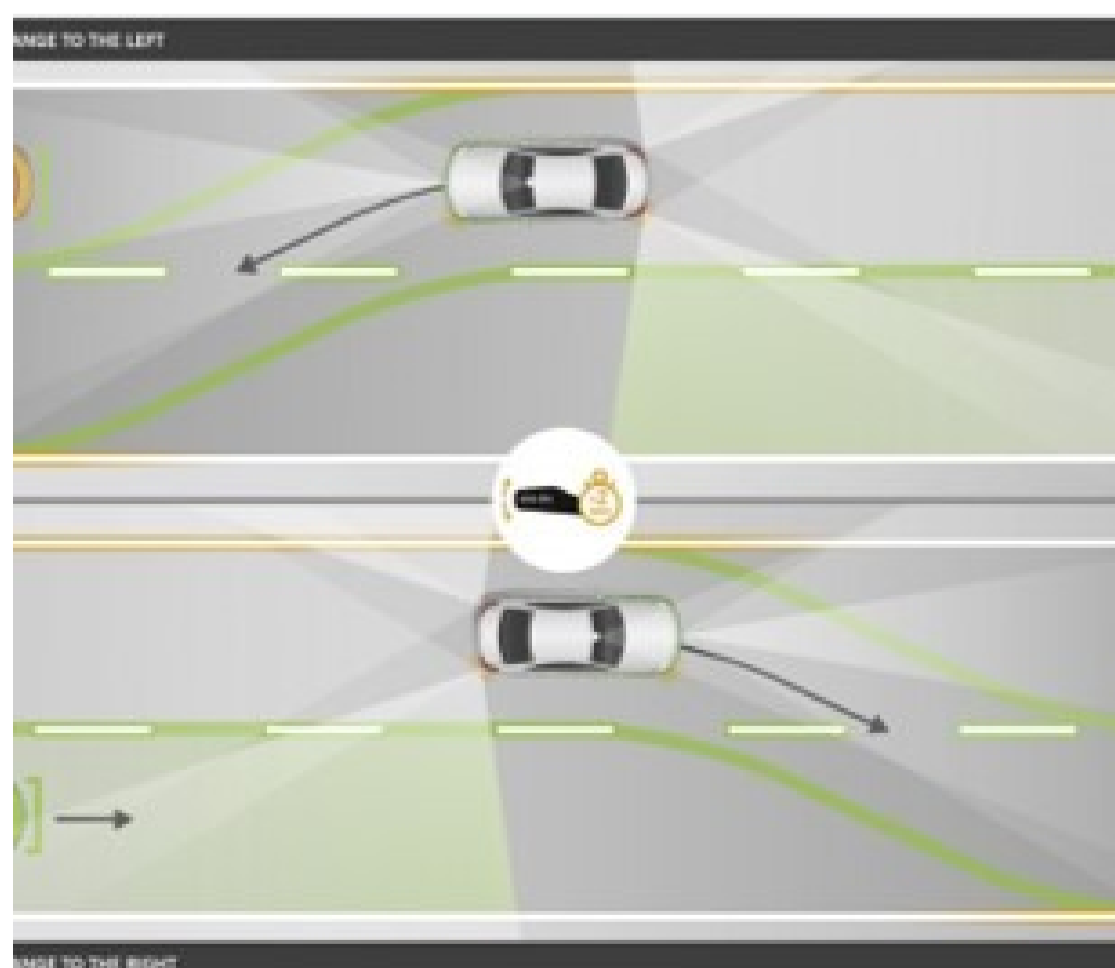
Driver Assistance Systems



Driver Assistance Package (DA2)

Option price: \$1,700

- **Active Distance Assist DISTRONIC®** is able to follow a vehicle in front at a pre-selected distance at wider range of speeds
- **Active Steering Assist** functions at a wider range of speeds and can now actively intervene even if road lines are unclear or non-existent at certain speeds; can now function in curves with a tighter radius
- **Active Emergency Stop Assist** brakes the vehicle to a standstill in its lane if it detects that the driver is no longer actively driving the vehicle while it is on the move with Active Distance Assist DISTRONIC and Active Steering Assist engaged. Can now UNLOCK the doors when the vehicle is stationary to allow first aid responders immediate access to the vehicle's interior. With available mbrace® Secure, the system simultaneously makes an emergency call
- **Active Lane Change Assist** is a radar-and-camera-based system that aids the driver when changing lanes. When a turn is indicated, this feature will aid with steering into the adjacent lane if it detects the lane is empty
- **Active Speed Limit Assist** can adapt vehicle speed to identified speed limits and can now adjust preemptively when speed limits are going to change
- **Route-Based Speed Adaptation** the vehicle is now able to reduce the speed in anticipation mode by referencing the COMAND map data ahead of bends, junctions, roundabouts, toll booths, and exit roads.
- **Active Brake Assist with Cross-Traffic Function**
- **Evasive Steering Assist** adds calculated steering torque to aid in steering wheel movement when a driver deliberately or instinctively performs an evasive maneuver around a pedestrian
- **Active Blind Spot Assist** is active at a wider range of speeds and informs the driver to help avoid an imminent side impact by single-sided braking
- **Active Lane Keeping Assist** is active now at a wider range of speeds



Gallery

