

2022 C-Class Cabriolet Order Guide



Table of Contents

1	General Information
2	What's New
3	Models
4	Equipment
4.1	Standard Equipment
4.2	Exterior Paint Colors
4.3	Wheels
4.4	Interior Upholstery
4.6	Interior Trims
4.7	Packages
4.8	Options
4.9	Specifications
5	Options In Detail
6	Gallery



General Information

Important Note

The information presented in this guide is based on the most current information available and is intended for internal use only. Mercedes-Benz reserves the right to make changes at any time, without notice, to colors, materials, equipment, special specifications and models.

Pricing may not yet be finalized for some models or options.

Due to variances among monitors and printers the colors that appear on your screen and printouts may not be exact.

For illustrative purposes, some images may show vehicles with European Specification.

Revision History

Date	Description
05/25/2021	Initial publication.



What's New

Standard Equipment

- **Adaptive Highbeam Assist (608), previously as a standalone option, now standard**

Optional Equipment

- **AMG Line (DG3) now contains perforated brake discs with Mercedes-Benz lettered calipers**
- **Pre-Installation for SD-Card Navigation (355) discontinued**
- **Due to Adaptive Highbeam Assist now being standard, Intelligent Light System (640) discontinues as a package and is now a standalone option**

Paint

- **Cirrus Silver Metallic (922) replaces Iridium Silver Metallic (775)**
- **Starling Blue Metallic (970) replaces Brilliant Blue Metallic (896)**

Upholstery

- **MANUFAKTUR replaces designo designation**
- **Magma Grey MB-Tex (138) and Magma Grey Leather (238) discontinued**
- **967 designo Bengal Red Nappa Leather discontinued. As a result, designo Bengal Red Nappa Leather Package (DD1) discontinued**

Wheels

- **18" Multispoke Wheels w/ Black Accents (R86) discontinued**
- **19" 10-Spoke Wheels (R09) discontinued**
- **19" Twin 5-Spoke Wheels (R90) discontinued**

VPC Accessories

- **MB Entry Navigation (D22) discontinued**
- **Rear Trim, Chrome (D19) discontinued**
- **Mirror Housing Covers, Black (D12) and Carbon Style (D17) discontinued**



Models



C 300 4MATIC Cabriolet (205.484)

- MSRP: TBD
- Transmission: 9G-TRONIC
- Transmission Speeds: 9
- Acceleration 0-60 mph (sec): 6.2
- Engine Configuration: 2.0L inline-4 turbo engine
- Power (hp): 255
- Torque (lb-ft): 273
- Launch Date: Fall 2021



C 300 Cabriolet (205.483)

- MSRP: TBD
- Transmission: 9G-TRONIC
- Transmission Speeds: 9
- Acceleration 0-60 mph (sec): 6.1
- Engine Configuration: 2.0L inline-4 turbo engine
- Power (hp): 255
- Torque (lb-ft): 273
- Launch Date: Fall 2021



Standard Equipment

C 300 4MATIC Cabriolet



Performance & Handling

- 9G-Tronic 9-Speed Automatic Transmission
- Multi-Link Independent Rear Suspension
- Adaptive Braking Technology
- ECO Start/Stop Technology
- Multi-Link Front Suspension
- DYNAMIC SELECT
- All-Season Tires
- 18" Wheels

Comfort & Convenience

- KEYLESS-GO® w/ KEYLESS-START
- 12.3" Digital Instrument Cluster
- SiriusXM® Satellite Radio w/ 6-Month Trial
- Power Heated Front Seats with Driver Memory and 4-way Lumbar Support
- Electronic Cruise Control
- Automatic LED Headlamps with Twilight Sensor & Locator Lighting
- 10.25" High-Resolution Center Display w/ Central Controller
- Multifunction leather steering wheel w/ Haptic Touchpads
- Dual-zone Automatic Climate Control
- Intermittent Wipers with Rain Sensor
- AIRSCARF
- Front and Rear Cupholders
- Power-Folding Side Mirrors
- Burmester® Surround Sound System
- Bluetooth Technology (for Handsfree Phone Use/Audio Streaming)
- 64-Color Ambient Lighting w/ Illuminated Door Sills
- Power Tilt & Telescoping Steering Column
- Power Windows with Express Up and Down
- Split-Folding Rear Seats (50/50)
- Wood Trim with Analog Clock
- Smartphone Integration (Apple CarPlay™ and Android Auto)
- Garage Door Opener
- Automatic Seatbelt Extender
- Auto-Dimming Driver & Rear View Mirror
- AIRCAP w/ Semi-Automatic Trunk Separator

Safety & Security

- New Vehicle 4 Year/50,000 Mile Warranty
- 3-point Seat Belt with Pretensioners & Dual-Stage Belt Force Limiter
- Front and Rear Side Window Airbags
- Driver & Passenger Kneebags
- ATTENTION ASSIST Driver Drowsiness Monitor
- PRE-SAFE
- Anti-theft Alarm System
- Rearview Camera
- 24h Roadside Assistance Program
- Front Dual-Stage Airbags
- Front and Rear Side Airbags
- ISOFIX Anchor and Tether System
- Active Brake Assist
- Tire Pressure Monitoring System
- Blind Spot Assist



Performance & Handling

- 9G-Tronic 9-Speed Automatic Transmission
- Multi-Link Independent Rear Suspension
- Adaptive Braking Technology
- ECO Start/Stop Technology
- Multi-Link Front Suspension
- DYNAMIC SELECT
- All-Season Tires
- 18" Wheels

Comfort & Convenience

- KEYLESS-GO® w/ KEYLESS-START
- 12.3" Digital Instrument Cluster
- SiriusXM® Satellite Radio w/ 6-Month Trial
- Power Heated Front Seats with Driver Memory and 4-way Lumbar Support
- Electronic Cruise Control
- Automatic LED Headlamps with Twilight Sensor & Locator Lighting
- 10.25" High-Resolution Center Display w/ Central Controller
- Multifunction leather steering wheel w/ Haptic Touchpads
- Dual-zone Automatic Climate Control
- Intermittent Wipers with Rain Sensor
- AIRSCARF
- Front and Rear Cupholders
- Power-Folding Side Mirrors
- Burmester® Surround Sound System
- Bluetooth Technology (for Handsfree Phone Use/Audio Streaming)
- 64-Color Ambient Lighting w/ Illuminated Door Sills
- Power Tilt & Telescoping Steering Column
- Power Windows with Express Up and Down
- Split-Folding Rear Seats (50/50)
- Wood Trim with Analog Clock
- Smartphone Integration (Apple CarPlay™ and Android Auto)
- Garage Door Opener
- Automatic Seatbelt Extender
- Auto-Dimming Driver & Rear View Mirror
- AIRCAP w/ Semi-Automatic Trunk Separator

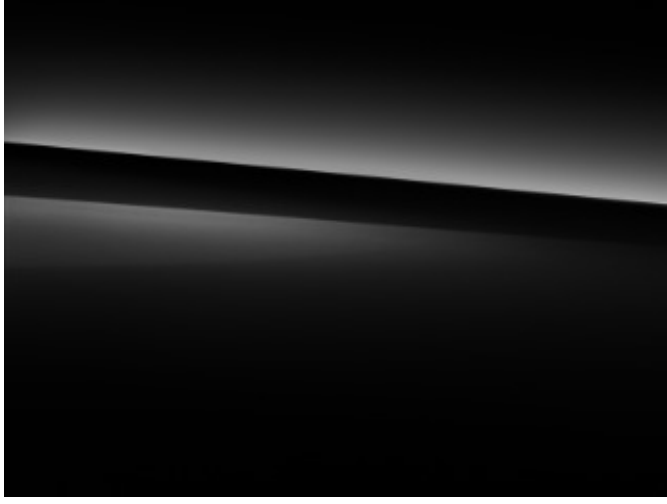
Safety & Security

- New Vehicle 4 Year/50,000 Mile Warranty
- 3-point Seat Belt with Pretensioners & Dual-Stage Belt Force Limiter
- Front and Rear Side Window Airbags
- Driver & Passenger Kneebags
- ATTENTION ASSIST Driver Drowsiness Monitor
- PRE-SAFE
- Anti-theft Alarm System
- Rearview Camera
- 24h Roadside Assistance Program
- Front Dual-Stage Airbags
- Front and Rear Side Airbags
- ISOFIX Anchor and Tether System
- Active Brake Assist
- Tire Pressure Monitoring System
- Blind Spot Assist
- Adaptive Highbeam Assist

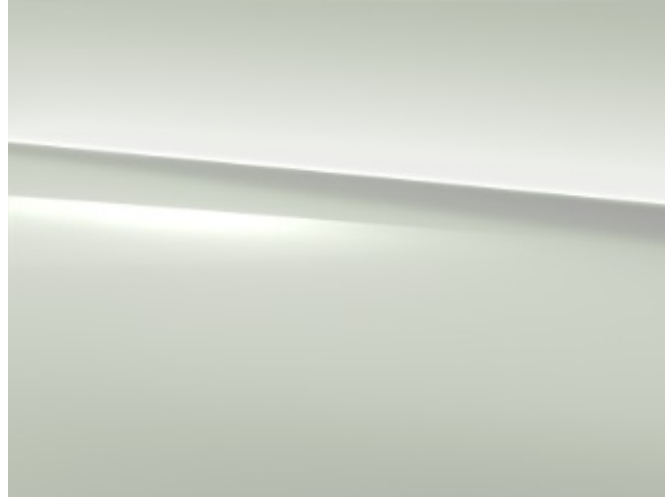


Paint

Non-Metallic Paints

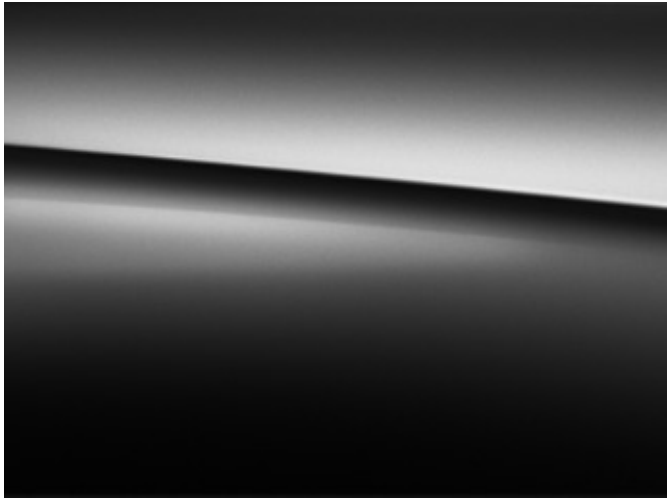


040 - Black

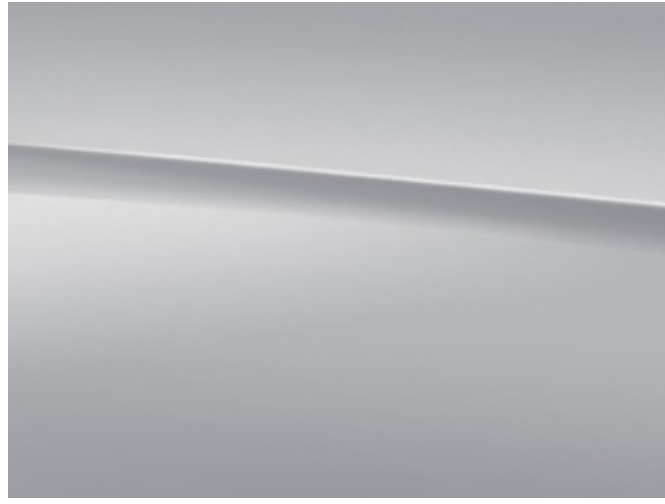


149 - Polar White

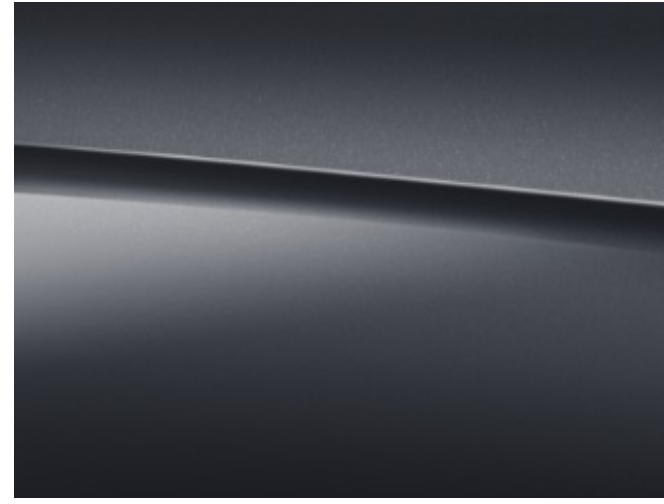
Metallic Paints



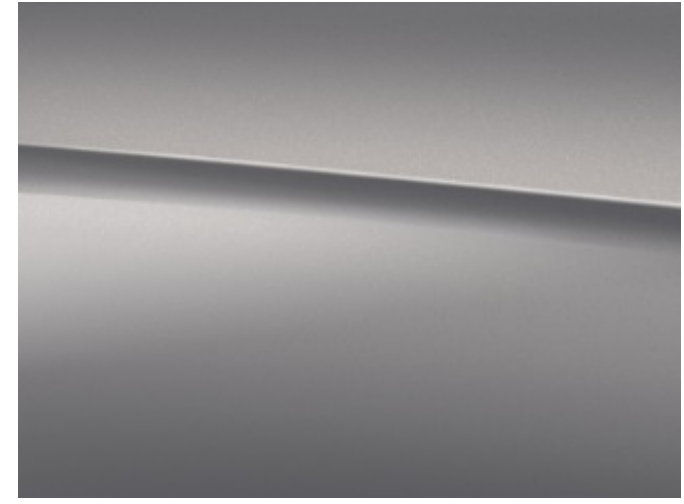
197 - Obsidian Black



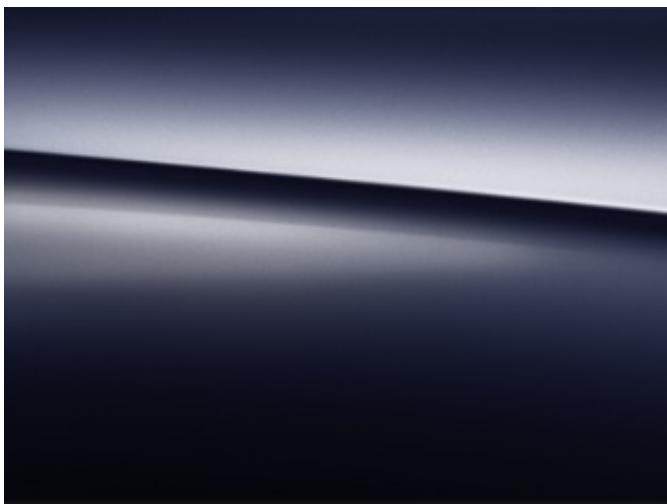
922 - Cirrus Silver



831 - Graphite Grey



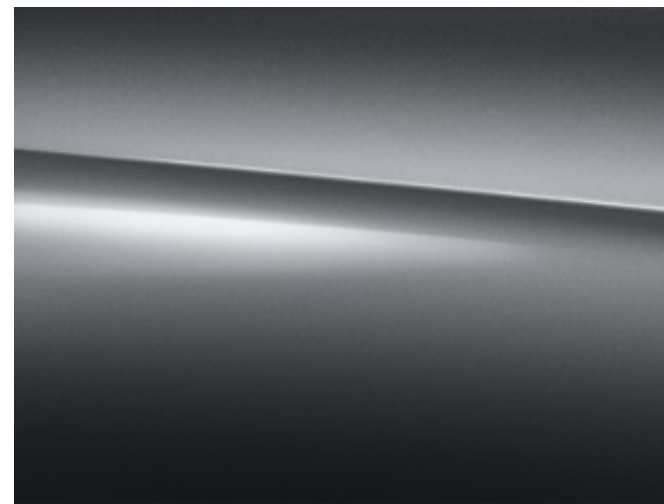
859 - Mojave Silver



890 - Lunar Blue



970 - Starling Blue



992 - Selenite Grey

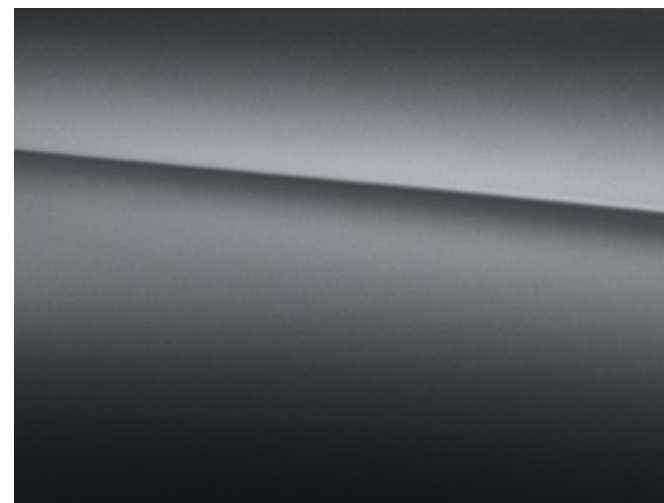
MANUFAKTUR Paints



996 - Cardinal Red Metallic



799 - Diamond White Metallic



297 - Selenite Grey Magno

<i>Code</i>	<i>Description</i>	<i>Availability</i>	<i>Price</i>
040	Black	All Models	\$0
149	Polar White	All Models	\$0
197	Obsidian Black	All Models	\$750
922	Cirrus Silver	All Models	\$750
831	Graphite Grey	All Models	\$750
859	Mojave Silver	All Models	\$750
890	Lunar Blue	All Models	\$750
970	Starling Blue	All Models	\$750
992	Selenite Grey	All Models	\$750
996	Cardinal Red Metallic	All Models	\$1,080
799	Diamond White Metallic	All Models	\$1,515
297	Selenite Grey Magno	All Models	\$2,020



Wheels



22R - 18" Split 5-Spoke Wheels

18"

R02 (All-Season Tires), R66 (MOE Tires - Extended Mobility)

18" Split 5-Spoke Wheels

225/45 R 18 on 7.5 J x 18 ET 44 (Front)

245/40 R 18 on 8.5 J x 18 ET 56 (Rear)



RSJ - 18" AMG 5-Spoke Wheels

Requires AMG Line (DG3)

18"

R02 (All-Season Tires), R66 (MOE Tires - Extended Mobility)

18" AMG 5-Spoke Wheels

225/45 R 18 on 7.5 J x 18 ET 44 (Front)

245/40 R 18 on 8.5 J x 18 ET 49 (Rear)



RSK - 18" AMG 5-Spoke Wheels w/ Black Accents

Requires Night Package (DC1)

18"

R02 (All-Season Tires), R66 (MOE Tires - Extended Mobility)

18" AMG 5-Spoke Wheels w/ Black Accents

225/45 R 18 on 7.5 J x 18 ET 44 (Front)

245/40 R 18 on 8.5 J x 18 ET 49 (Rear)



788 - 19" AMG Multispoke Wheels

Requires AMG Line (DG3)

19"

R01 (High-Performance Tires), R66 (MOE Tires - Extended Mobility)

19" AMG Multispoke Wheels

225/40 R 19 on 7.5 J x 19 ET 44 (Front)

255/35 R 19 on 8.5 J x 19 ET 52 (Rear)



665 - 19" AMG Multispoke Wheels w/ Black Accents

Requires Night Package (DC1)

19"

R01 (High-Performance Tires), R66 (MOE Tires - Extended Mobility)

19" AMG Multispoke Wheels w/ Black Accents

225/40 R 19 on 7.5 J x 19 ET 44 (Front)

255/35 R 19 on 8.5 J x 19 ET 52 (Rear)



604 - 19" AMG Twin 5-Spoke Wheels w/ Black Accents

Requires Night Package (DC1)

19"

R01 (High-Performance Tires), R66 (MOE Tires - Extended Mobility)

19" AMG Twin 5-Spoke Wheels w/ Black Accents

225/40 R 19 on 7.5 J x 19 ET 44 (Front)

255/35 R 19 on 8.5 J x 19 ET 49 (Rear)

Code	Wheel Size	Description	Wheel Dimensions	Mobility	Availability	MSRP
22R	18"	18" Split 5-Spoke Wheels	225/45 R 18 on 7.5 J x 18 ET 44 (Front) 245/40 R 18 on 8.5 J x 18 ET 56 (Rear)	R02 (All-Season Tires), R66 (MOE Tires - Extended Mobility)	All Models	\$0
RSJ	18"	18" AMG 5-Spoke Wheels Requires AMG Line (DG3)	225/45 R 18 on 7.5 J x 18 ET 44 (Front) 245/40 R 18 on 8.5 J x 18 ET 49 (Rear)	R02 (All-Season Tires), R66 (MOE Tires - Extended Mobility)	All Models	\$0
RSK	18"	18" AMG 5-Spoke Wheels w/ Black Accents Requires Night Package (DC1)	225/45 R 18 on 7.5 J x 18 ET 44 (Front) 245/40 R 18 on 8.5 J x 18 ET 49 (Rear)	R02 (All-Season Tires), R66 (MOE Tires - Extended Mobility)	All Models	\$0
788	19"	19" AMG Multispoke Wheels Requires AMG Line (DG3)	225/40 R 19 on 7.5 J x 19 ET 44 (Front) 255/35 R 19 on 8.5 J x 19 ET 52 (Rear)	R01 (High-Performance Tires), R66 (MOE Tires - Extended Mobility)	All Models	\$500
665	19"	19" AMG Multispoke Wheels w/ Black Accents Requires Night Package (DC1)	225/40 R 19 on 7.5 J x 19 ET 44 (Front) 255/35 R 19 on 8.5 J x 19 ET 52 (Rear)	R01 (High-Performance Tires), R66 (MOE Tires - Extended Mobility)	All Models	\$500
604	19"	19" AMG Twin 5-Spoke Wheels w/ Black Accents Requires Night Package (DC1)	225/40 R 19 on 7.5 J x 19 ET 44 (Front) 255/35 R 19 on 8.5 J x 19 ET 49 (Rear)	R01 (High-Performance Tires), R66 (MOE Tires - Extended Mobility)	All Models	\$500



Upholstery

MB Tex



101 - Black MB-Tex

Crystal Grey Headliner replaced by Black Headliner when equipped with AMG Line (DG3).



105 - Silk Beige/Black MB-Tex

Porcelain Headliner replaced by Black Headliner when equipped with AMG Line (DG3).



124 - Saddle Brown/Black MB-Tex



201 - Black Leather

Crystal Grey Headliner replaced by Black Headliner when equipped with AMG Line (DG3).



224 - Saddle Brown/Black Leather



225 - Porcelain/Black Leather



227 - Cranberry Red/Black Leather

Soft Top



740 - Black



742 - Red



744 - Dark Blue



<i>Code</i>	<i>Description</i>	<i>Availability</i>	<i>Price</i>
101	Black MB-Tex Crystal Grey Headliner replaced by Black Headliner when equipped with AMG Line (DG3).	C 300 Cabriolet	\$0
105	Silk Beige/Black MB-Tex Porcelain Headliner replaced by Black Headliner when equipped with AMG Line (DG3).	C 300 Cabriolet	\$0
124	Saddle Brown/Black MB-Tex	C 300 Cabriolet	\$0
201	Black Leather Crystal Grey Headliner replaced by Black Headliner when equipped with AMG Line (DG3).	C 300 Cabriolet	\$1,620
224	Saddle Brown/Black Leather	C 300 Cabriolet	\$1,620
225	Porcelain/Black Leather	C 300 Cabriolet	\$1,620
227	Cranberry Red/Black Leather	C 300 Cabriolet	\$1,620
740	Black	C 300 Cabriolet	\$0
742	Red	C 300 Cabriolet	\$0
744	Dark Blue	C 300 Cabriolet	\$0

<i>Code</i>	<i>Upholstery</i>	<i>Seats</i>	<i>Floor Mats</i>	<i>Upper Dash/Lower Dash</i>	<i>Seat Belts</i>	<i>Steering Wheel</i>	<i>Headliner</i>
101	Black MB-Tex Crystal Grey Headliner replaced by Black Headliner when equipped with AMG Line (DG3).	Black	Black	Black	Black	Black	Crystal Grey*
105	Silk Beige/Black MB-Tex Porcelain Headliner replaced by Black Headliner when equipped with AMG Line (DG3).	Silk Beige	Beige	Black/Silk Beige	Beige	Black	Porcelain*
124	Saddle Brown/Black MB-Tex	Saddle Brown	Black	Black	Black	Black	Black
201	Black Leather Crystal Grey Headliner replaced by Black Headliner when equipped with AMG Line (DG3).	Black	Black	Black	Black	Black	Crystal Grey*
224	Saddle Brown/Black Leather	Saddle Brown	Black	Black	Black	Black	Black
225	Porcelain/Black Leather	Porcelain	Black	Black	Black	Black	Black
227	Cranberry Red/Black Leather	Cranberry Red	Black	Black	Black	Black	Black
740	Black						
742	Red						
744	Dark Blue						

C 300 Cabriolet Notes: *: Replaced by Black Headliner when equipped with AMG Line (DG3).



Trims

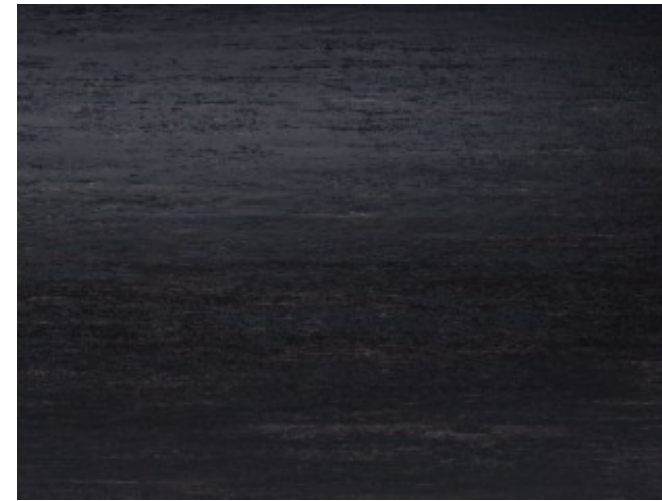


737+739 - Natural Grain Black Ash Wood & Aluminum

Requires AMG Line (DG3)



H07 - Dark Brown Linden Wood



H31 - Natural Grain Grey Oak



H33 - Natural Grain Walnut Wood & Aluminum

<i>Code</i>	<i>Description</i>	<i>Availability</i>	<i>Price</i>
737+739	Natural Grain Black Ash Wood & Aluminum Requires AMG Line (DG3)	All Models	\$0
H07	Dark Brown Linden Wood	All Models	\$0
H31	Natural Grain Grey Oak	All Models	\$0
H33	Natural Grain Walnut Wood & Aluminum	All Models	\$0



Packages

<i>Code</i>	<i>Packages</i>	<i>Availability</i>	<i>MSRP</i>
DP1	<p>Premium Package</p> <p>Standard</p> <ul style="list-style-type: none"> ▪ U25 - Illuminated Door Sills ▪ 536 - SiriusXM® Satellite Radio ▪ 810 - Burmester® Surround Sound System ▪ 877 - 64-Color Ambient Lighting 	All Models	\$0
DA5	<p>Multimedia Package</p> <ul style="list-style-type: none"> ▪ 531 - COMAND Navigation ▪ 502 - Map Updates for 3 Years 	All Models	\$1,250
DA3	<p>Parking Assistance Package</p> <ul style="list-style-type: none"> ▪ 501 - Surround View System ▪ Rear Cross-Traffic Alert ▪ 235 - PARKTRONIC with Active Parking Assist 	All Models	\$1,150
DA2	<p>Driver Assistance Package</p> <p>Requires Multimedia Package (DA5)</p> <ul style="list-style-type: none"> ▪ Active Speed Limit Assist ▪ Route-Based Speed Adaptation ▪ Active Emergency Stop Assist ▪ Active Lane Keeping Assist ▪ Active Steering Assist ▪ Active Brake Assist w/ Cross-Traffic Function ▪ Active Lane Change Assist ▪ Active Blind Spot Assist ▪ Evasive Steering Assist ▪ Active Distance Assist DISTRONIC® 	All Models	\$1,700
DG3	<p>AMG Line</p> <ul style="list-style-type: none"> ▪ P31 - AMG Line Exterior ▪ Diamond Grille in chrome ▪ Flat-bottom Steering Wheel ▪ AMG Floor Mats ▪ Aluminum Pedals ▪ P29 - AMG Line Interior ▪ WCO - Wheel Choice Of: <ul style="list-style-type: none"> ○ RSJ - 18" AMG 5-Spoke wheels with all-season, run-flat tires (+\$0) ○ 788 - 19" AMG Multispoke wheels with performance, run-flat tires (+\$500) ▪ 51U - Black Fabric Headliner 	All Models	\$1,500
DC1	<p>Night Package</p> <p>Requires AMG Line (DG3)</p> <ul style="list-style-type: none"> ▪ WCO1 - Wheel Choice Of: <ul style="list-style-type: none"> ○ 604 - 19" AMG Twin 5-Spoke Wheels w/ Black Accents with performance, run-flat tires (+\$500) ○ 665 - 19" AMG Multispoke Wheels w/ Black Accents with performance, run-flat tires (+\$500) ○ RSK - 18" AMG 5-Spoke Wheels w/ Black Accents with all-season, run-flat tires ▪ High-gloss black elements: front splitter, grille trim, rear diffuser, side mirrors ▪ P55 - Night Package code 	All Models	\$400



Options

Factory Options

<i>Code</i>	<i>Options</i>	<i>Availability</i>	<i>MSRP</i>
242	3-Stage Passenger Seat Memory	All Models	\$350
401	Ventilated Front Seats Requires Leather Upholstery	All Models	\$450
443	Requires Leather Upholstery AMG Line (DG3) lose Flat-bottom Steering Wheel	All Models	\$250
463	Head-Up Display	All Models	\$1,100
640	LED Intelligent Light System	All Models	\$650
897	Inductive Wireless Charging & NFC Pairing	All Models	\$200
U09	MB-Tex Dashboard w/ Topstitching Requires AMG Line (DG3)	All Models	\$350



VPC Installed Options

<i>Code</i>	<i>Options</i>	<i>Availability</i>	<i>MSRP</i>
D03	Illuminated Star Not with Driver Assistance Package (DA2)	All Models	\$450
D07	Wheel Locking Bolts	All Models	\$150
D08	Door Handle Inserts, Chrome	All Models	\$100
D33	All-Season Front Floor Mats, Black Rubber	All Models	\$120



Specifications

C 300 4MATIC Cabriolet



Drivetrain

Transmission	9G-TRONIC
Transmission Speeds	9
Drive Configuration	All-Wheel Drive

Engine

Engine Configuration	2.0L inline-4 turbo engine
Power (hp)	255
Torque (lb-ft)	273
Fuel Requirement (Octane)	91
Compression	10.5 : 1
Fuel Tank Size (gallons)	17.4
# Valves per Cylinder	4
Displacement (cc)	1991

Performance

Acceleration 0-60 mph (sec)	6.2
Top Speed	130 (lim.)

Fuel Economy

Fuel Economy	TBD
--------------	-----

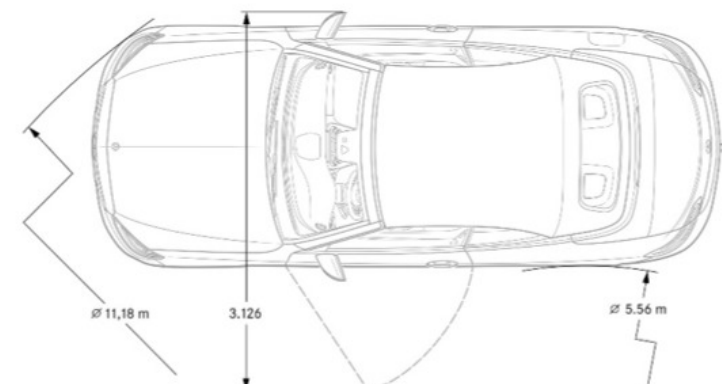
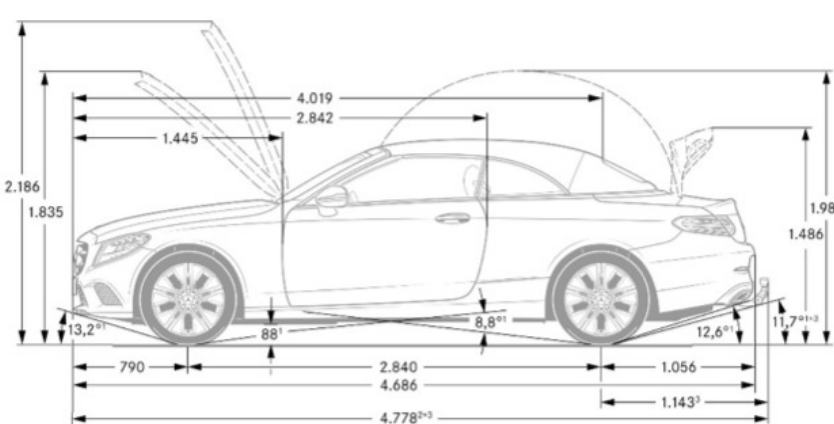
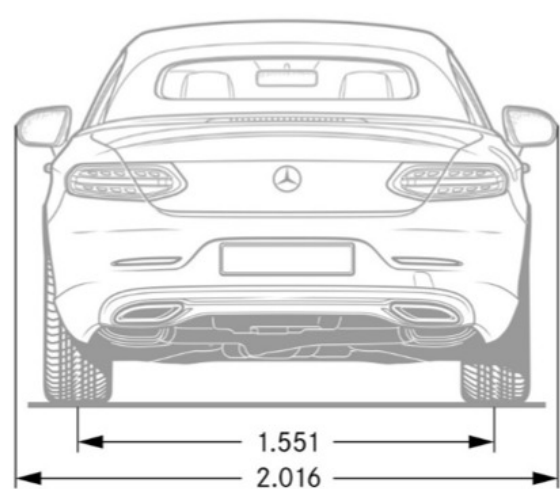
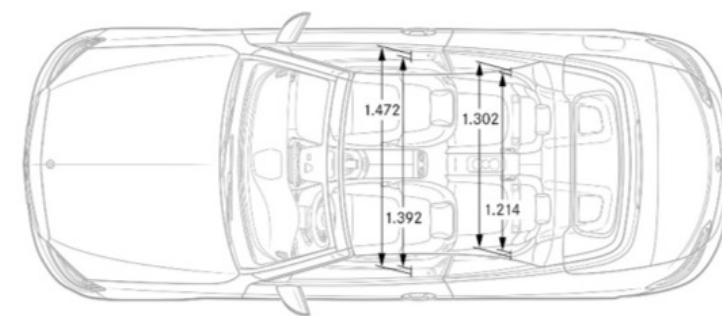
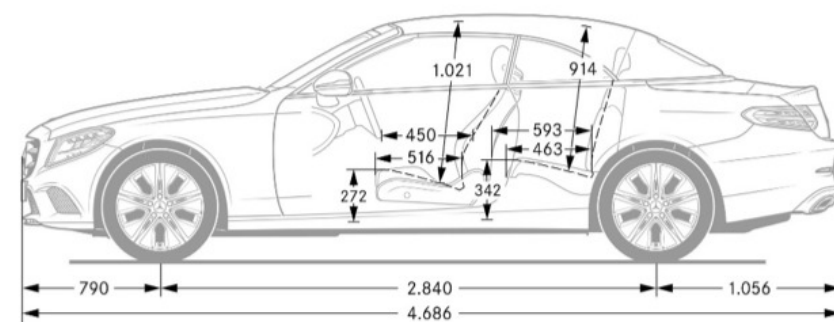
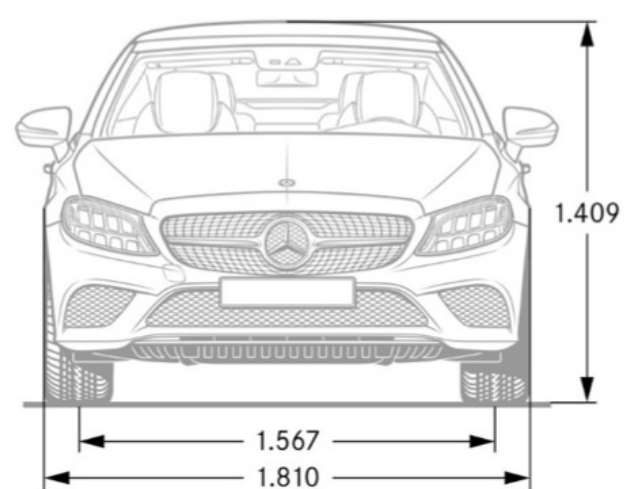
Exterior Dimensions

Vehicle Length (in.)	184.5
Vehicle Width w/ Mirrors (in.)	79.4
Vehicle Height (in.)	55.3
Wheelbase (in.)	111.8
Coefficient of Drag (cd)	0.31
Track Width Front/Rear (in.)	61.5/60.9
Curb Weight (lbs)	TBD

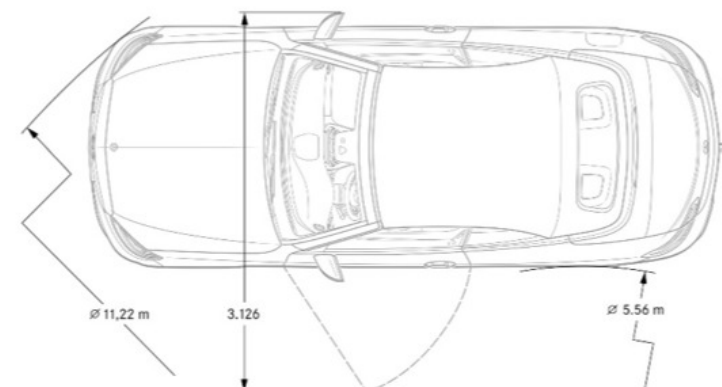
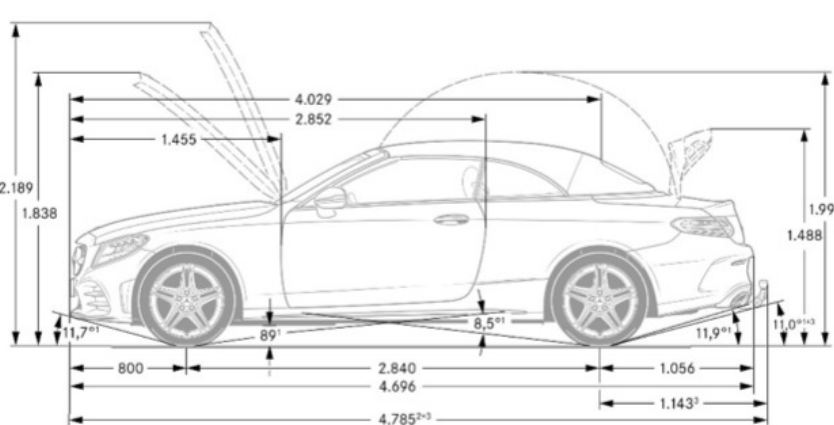
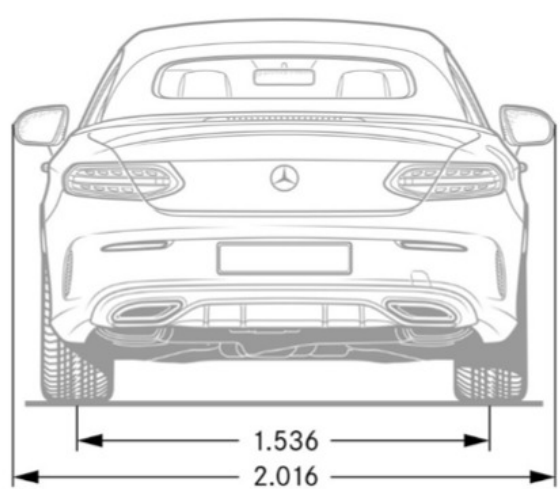
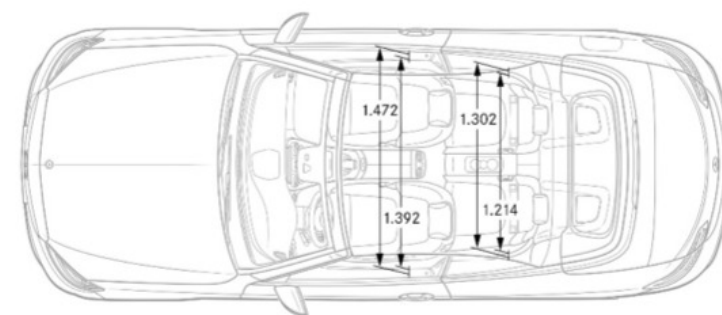
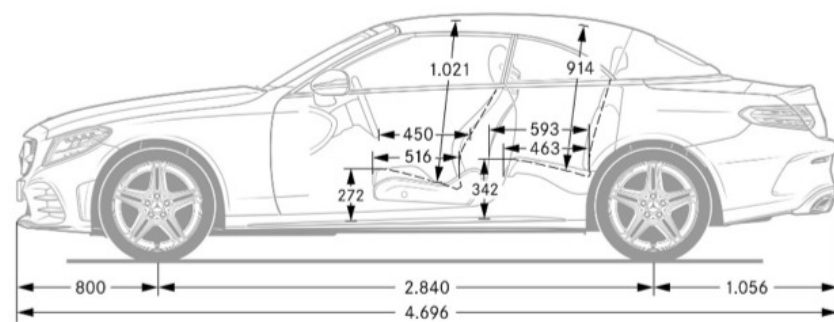
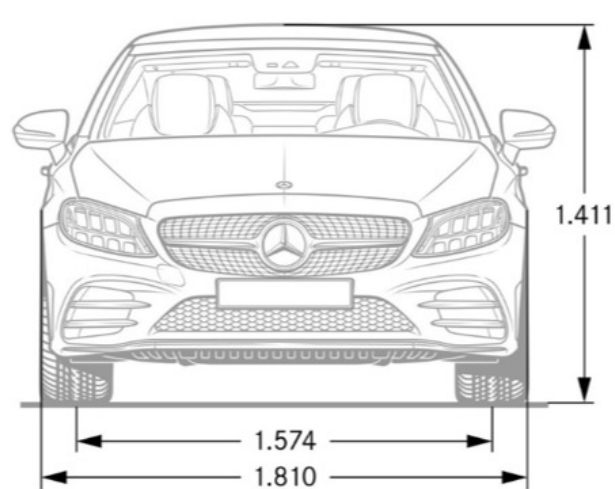
Interior Dimensions

Trunk Size (cubic feet)	8.8
-------------------------	-----

C300



C300 AMG Line





Drivetrain

Transmission	9G-TRONIC
Transmission Speeds	9
Drive Configuration	Rear-Wheel Drive

Engine

Engine Configuration	2.0L inline-4 turbo engine
Power (hp)	255
Torque (lb-ft)	273
Fuel Requirement (Octane)	91
Compression	10.5 : 1
Fuel Tank Size (gallons)	17.4
# Valves per Cylinder	4
Displacement (cc)	1991

Performance

Acceleration 0-60 mph (sec)	6.1
Top Speed	130 (lim.)

Fuel Economy

Fuel Economy	TBD
--------------	-----

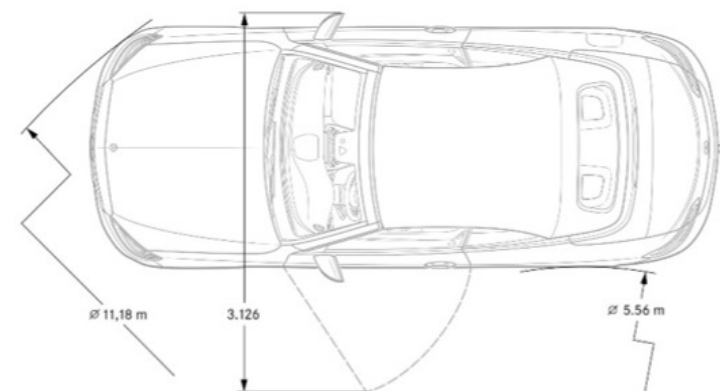
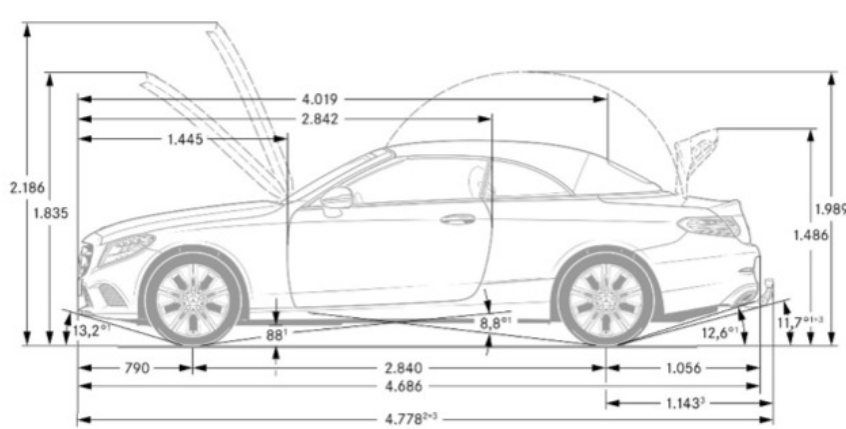
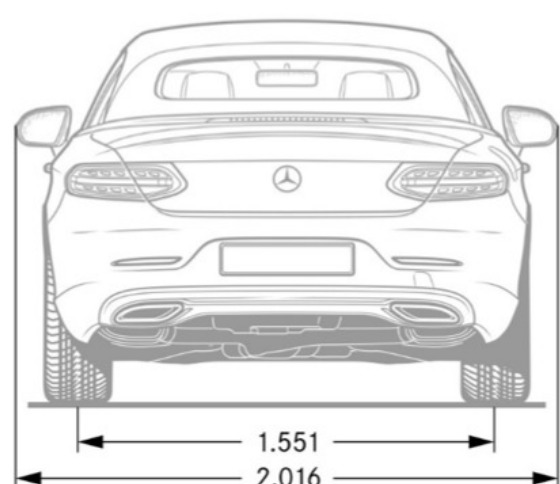
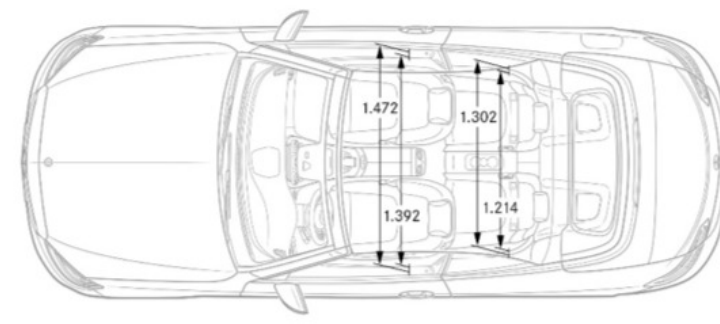
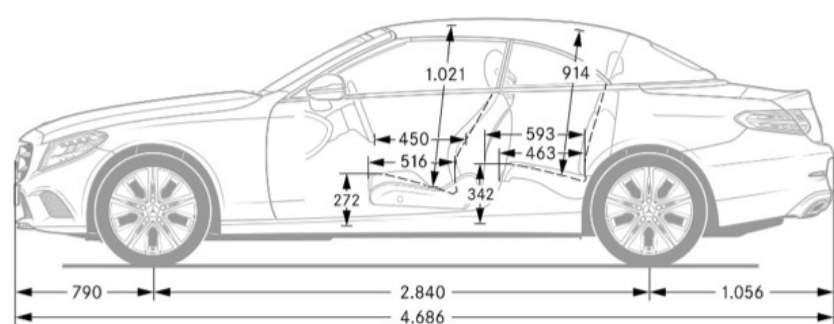
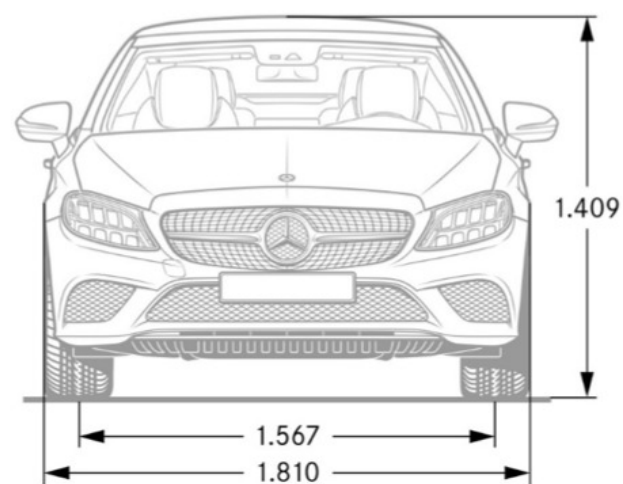
Exterior Dimensions

Vehicle Length (in.)	184.5
Vehicle Width w/ Mirrors (in.)	79.4
Vehicle Height (in.)	55.3
Wheelbase (in.)	111.8
Coeffecient of Drag (cd)	0.30
Track Width Front/Rear (in.)	61.5/60.9
Curb Weight (lbs)	TBD

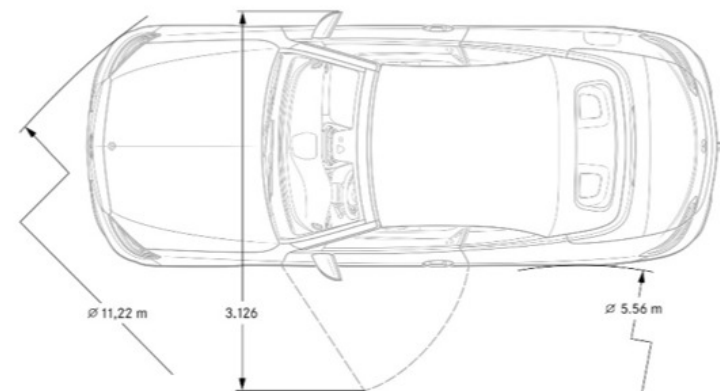
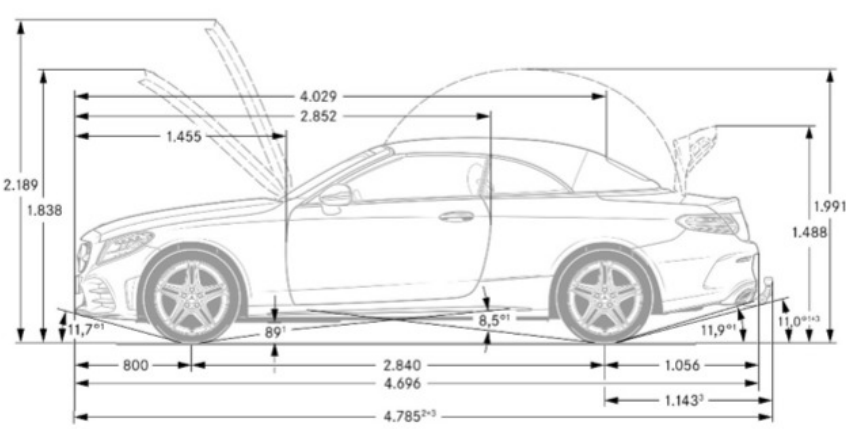
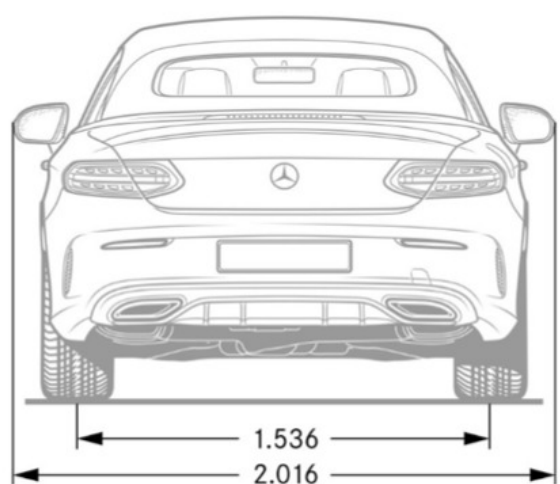
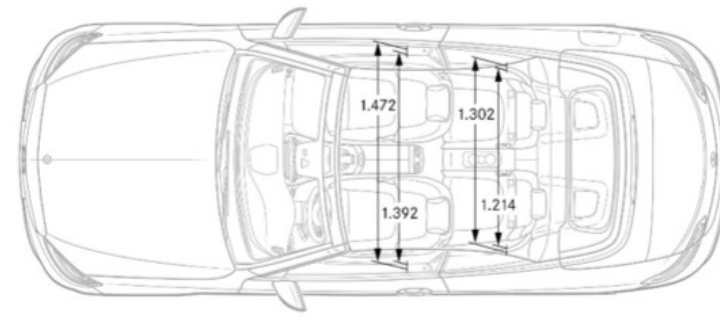
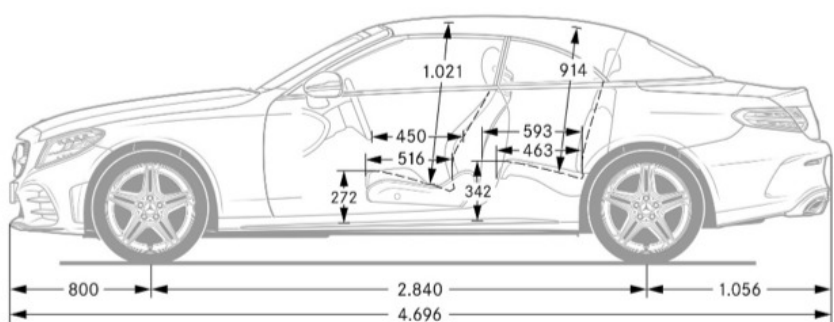
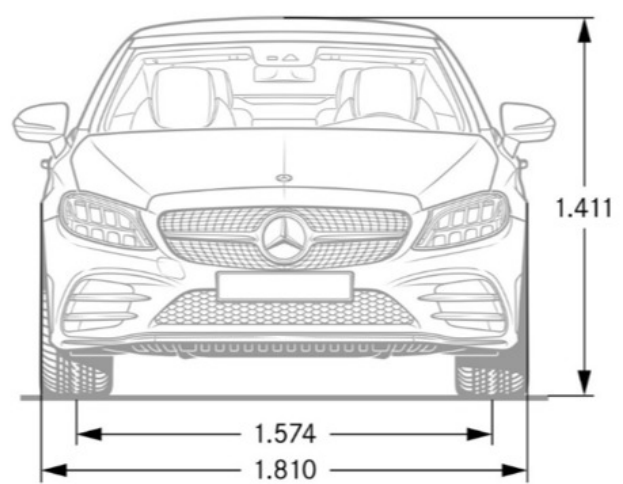
Interior Dimensions

Trunk Size (cubic feet)	8.8
-------------------------	-----

C300



C300 AMG Line



Smartphone Integration (14U)



Standard equipment
Includes Android Auto and Apple CarPlay

Smartphone Integration makes safe use of mobile devices possible while on the move. The connection to the smartphone allows access to up-to-date software and data such as navigation and traffic information, media (streaming media and IP radio) as well as contact data and messaging. To prevent driver distraction while on the move, there is no complete duplication of smartphone content.

Note: A data connection via the mobile phone is necessary for certain functions. The functions supported also depend on the smartphone. The information provided by the smartphone manufacturer will also indicate the compatible devices and functions.

Multimedia Package (DA5)

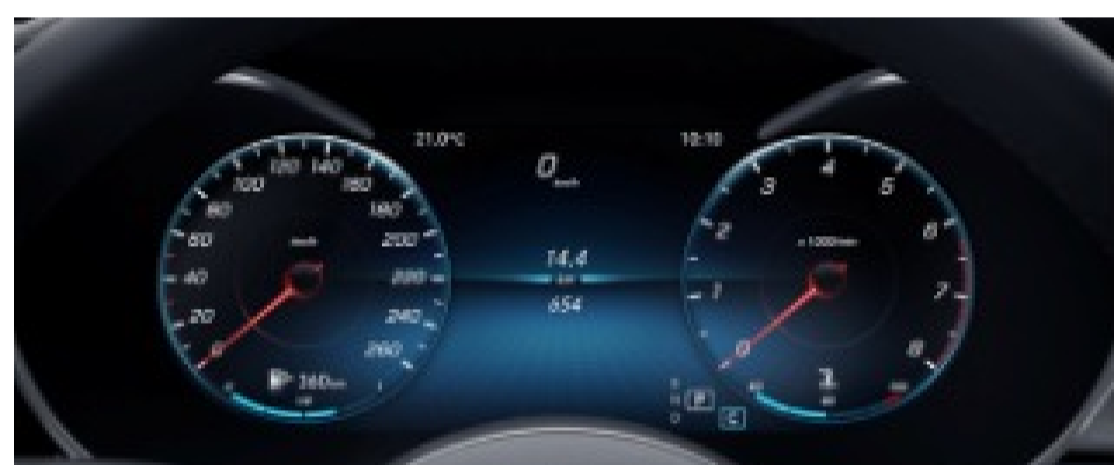


Option price: \$1,250

The Multimedia Package offers advanced headunit and navigation software for the C-Class. COMAND has been upgraded to NTG 5.5 - the same level as the E-Class and S-Class, and includes Enhanced Voice Control. Full maps with 3D capability and 3 years of free updates are included as well as SNAP overlays for gas prices, weather, parking availability, and more. Live Traffic information and Car-to-X Communication are also included alongside COMAND.

Multimedia Package is required for the Driver Assistance Package as well as any online functions like MB Apps and WiFi.

Digital Instrument Cluster

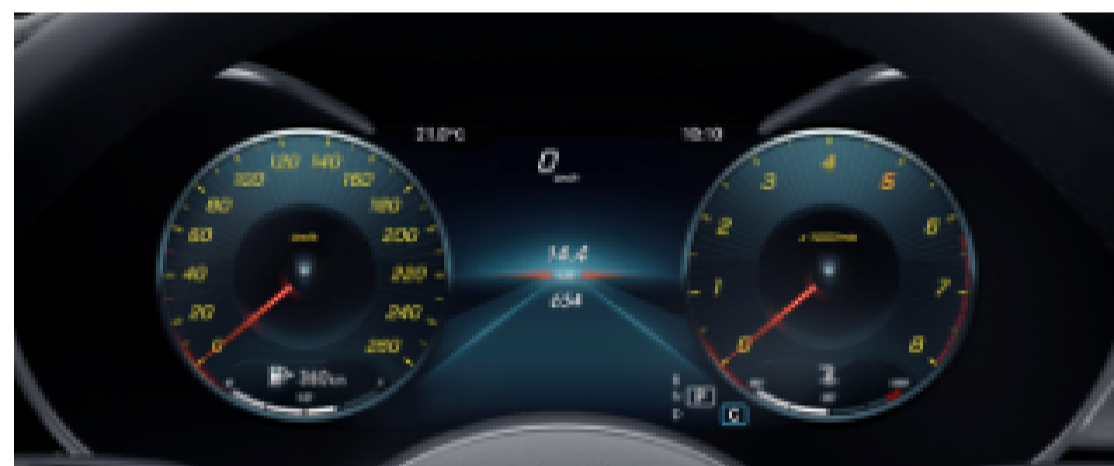


Digital Instrument Cluster (464)

Option price: Standard

The C-Class will offer the option to have a high-resolution 12.3" digital instrument cluster with three different modes: Classic, Sport, and Progressive. Unlike many other models with this option, the C-Class integrates the digital instrument cluster within the dash so the geometry of the dash is the same as without the option.

The three separate modes allow the driver to customize the digital instrument cluster to his/her liking. Additionally, with the added digital space, there is greater functionality for navigation, multimedia, and other information within the digital instrument cluster itself.



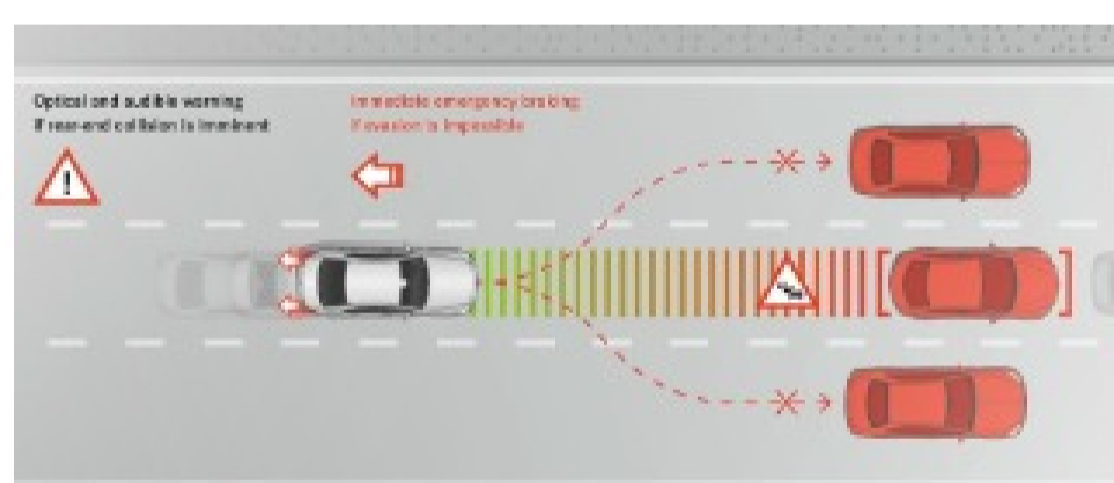
Pictured Top: "Classic" design

Pictured Middle: "Sport" design

Pictured Bottom: "Progressive" design



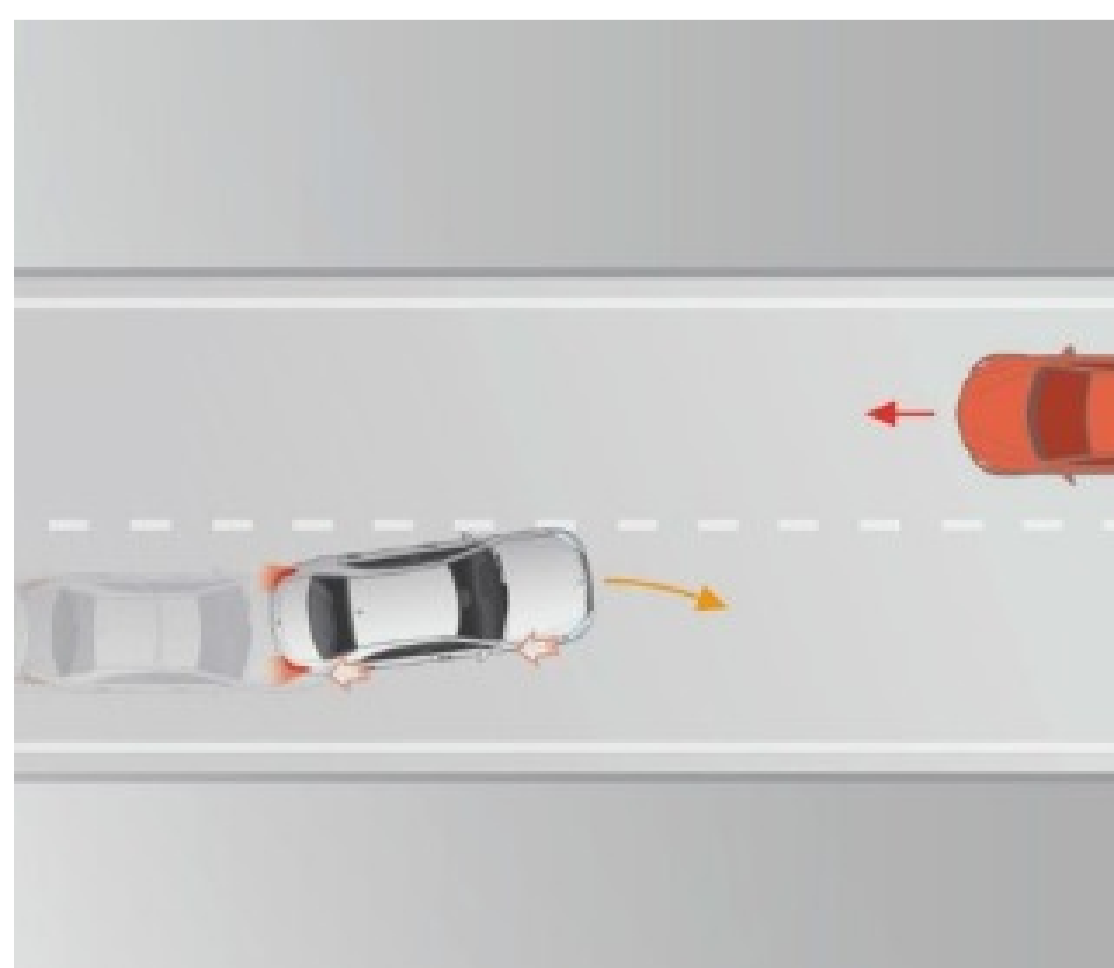
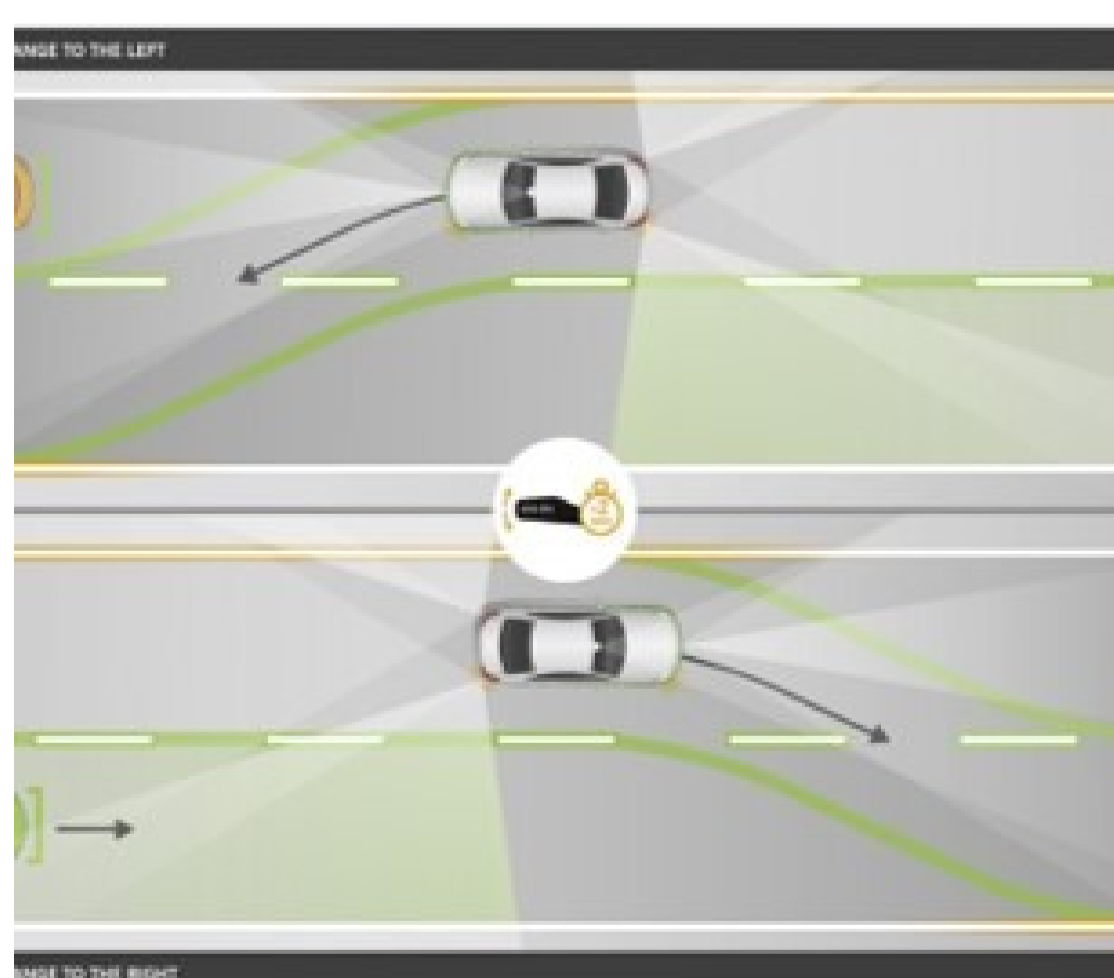
Driver Assistance Systems



Driver Assistance Package (DA2)

Option price: \$1,700

- **Active Distance Assist DISTRONIC®** is able to follow a vehicle in front at a pre-selected distance at wider range of speeds
- **Active Steering Assist** functions at a wider range of speeds and can now actively intervene even if road lines are unclear or non-existent at certain speeds; can now function in curves with a tighter radius
- **Active Emergency Stop Assist** brakes the vehicle to a standstill in its lane if it detects that the driver is no longer actively driving the vehicle while it is on the move with Active Distance Assist DISTRONIC and Active Steering Assist engaged. Can now unlock the doors when the vehicle is stationary to allow first aid responders immediate access to the vehicle's interior. With available mbrace® Secure, the system simultaneously makes an emergency call
- **Active Lane Change Assist** is a radar-and-camera-based system that aids the driver when changing lanes. When a turn is indicated, this feature will aid with steering into the adjacent lane if it detects the lane is empty
- **Active Speed Limit Assist** can adapt vehicle speed to identified speed limits and can now adjust preemptively when speed limits are going to change
- **Route-Based Speed Adaptation** the vehicle is now able to reduce the speed in anticipatory mode by referencing the COMAND map data ahead of bends, junctions, roundabouts, toll booths, and exit roads.
- **Active Brake Assist with Cross-Traffic Function**
- **Evasive Steering Assist** adds calculated steering torque to aid in steering wheel movement when a driver deliberately or instinctively performs an evasive maneuver around a pedestrian
- **Active Blind Spot Assist** is active at a wider range of speeds and informs the driver to help avoid an imminent side impact by single-sided braking
- **Active Lane Keeping Assist** is active now at a wider range of speeds



Gallery

