

2024 C-Class Sedan Order Guide



Table of Contents

1	General Information
2	What's New
3	Models
4	Equipment
4.1	Standard Equipment
4.2	Exterior Paint Colors
4.3	Wheels
4.4	Interior Upholstery
4.6	Interior Trims
4.7	Packages
4.8	Options
4.9	Specifications
5	Options In Detail
6	Gallery



General Information

Important Note

The information presented in this guide is based on the most current information available and is intended for internal use only. Mercedes-Benz reserves the right to make changes at any time, without notice, to colors, materials, equipment, special specifications and models.

Pricing may not yet be finalized for some models or options.

Due to variances among monitors and printers the colors that appear on your screen and printouts may not be exact.

For illustrative purposes, some images may show vehicles with European Specification.

Revision History

Date	Description
06/01/2023	Publication of initial DOG for C63 S E PERFORMANCE
05/15/2023	<u>AMG</u> VPC Accessories: D46 delayed introduction until Q1 2024 Packages: DA2 price updated
05/02/2023	D45 LED Animated Logo Projector delayed availability until December 2023 production for C300W and C300W4
05/02/2023	C43: Heated Steering Wheel code changed from 443 to PAV
05/01/2023	Enhanced Ambient Lighting (894) not available for ordering from May until December 2023. This will be replaced with Standard Ambient Light (891). Please note: This does not affect AMG.
04/20/2023	Initial Publication



What's New

Standard Equipment

- **PARKTRONIC w/ Active Parking Assist (P44)**
- **SiriusXM Radio (536)**
- **Inductive Wireless Charging (897)**

Paints

- **MANUFAKTUR Patagonia Red Metallic (993)**
- **MANUFAKTUR Graphite Grey Magno (818)**
- **Twilight Blue Metallic (842)**



Models



C300W (206.046)

- MSRP: TBD
- Transmission: 9G-TRONIC
- Transmission Speeds: 9
- Acceleration: 6.0
- Engine Configuration : 2.0L Inline-4 Turbo w/ 48V Mild Hybrid System
- Power (hp): 255 hp (ICE), 20 hp (ISG)
- Torque (lb-ft): 295 lb-ft (ICE), 148 lb-ft (ISG)
- Launch Date: Late 2023



C300W4 (206.047)

- MSRP: TBD
- Transmission: 9G-TRONIC
- Transmission Speeds: 9
- Acceleration: 6.0
- Engine Configuration : 2.0L Inline-4 Turbo w/ 48V Mild Hybrid System
- Power (hp): 255 hp (ICE), 20 hp (ISG)
- Torque (lb-ft): 295 lb-ft (ICE), 148 lb-ft (ISG)
- Launch Date: Late 2023



Standard Equipment

C300W



Performance & Handling

- 2.0L Inline-4 Turbo Engine w/ 48V Mild Hybrid System
- Independent Front/Rear Suspension
- Rear Wheel Drive
- 9G-TRONIC 9-Speed Automatic Transmission
- ECO Start/Stop Technology
- DYNAMIC SELECT

Comfort & Convenience

- MBUX Intelligent Vehicle Assistant ("Hey Mercedes")
- 12.3" Digital Instrument Cluster
- KEYLESS-START
- Power Heated Front Seats with Seat Memory and Lumbar Support
- Electronic Trunk Closer
- Frontbass® 5-Speaker Audio System
- Three USB-C Ports (1 front, 2 center storage compartment)
- Power Windows with Express-Up/Down
- Multifunction Leather Steering Wheel w/ Capacitive Buttons
- Rain-sensing Windshield Wipers
- Power-Folding Side Mirrors
- HD Radio™
- Bluetooth® Technology (for Handsfree Phone Use/Audio Streaming)
- Storage Package
- Ambient Lighting
- 11.9" LCD Center Touchscreen Display
- KEYLESS-GO®
- Wireless Smartphone Integration (Apple CarPlay & Android Auto)
- Power Sunroof
- Biometric Fingerprint Scanner
- Inductive Wireless Charging
- Power Tilt & Telescoping Steering Column
- Split Folding Rear Seats (40/20/40)
- Dual-Zone Automatic Climate Control
- Electronic Cruise Control
- Extendable Sun Visors
- SiriusXM Satellite Radio
- Garage Door Opener
- Steering Wheel Shift Paddles
- Auto-Dimming Rearview Mirror

Safety & Security

- New Vehicle 4-year/50,000 Mile Warranty
- Blind Spot Assist
- 3-Point Seat Belt with Pretensioners & Adaptive Belt Force Limiter
- Front and Rear Side Window Air Bags
- ISOFIX Anchor and Tether System
- Active Brake Assist
- PARKTRONIC w/ Active Parking Assist
- Tire Pressure Monitoring System (TPMS)
- Adaptive Highbeam Assist
- 24h Roadside Assistance Program
- LED Headlamps and Taillamps
- Front Dual-Stage Air Bags
- Driver Kneebag
- ATTENTION ASSIST®
- PRE-SAFE® with PRE-SAFE® Sound
- Parking Damage Detection
- Anti-theft Alarm System
- Rearview Camera



Performance & Handling

- 2.0L inline-4 turbo engine w/ 48V mild hybrid system
- Independent Front/Rear Suspension
- DYNAMIC SELECT
- 9G-TRONIC 9-Speed Automatic Transmission
- ECO Start/Stop Technology
- 4-MATIC All-Wheel-Drive System

Comfort & Convenience

- MBUX Intelligent Vehicle Assistant ("Hey Mercedes")
- 12.3" Digital Instrument Cluster
- P17 KEYLESS-START
- Power Heated Front Seats with Seat Memory and Lumbar Support
- Electronic Trunk Closer
- FrontBass® 5-Speaker Audio System
- Three USB-C Ports (1 front, 2 center storage compartment)
- Power Windows with Express-Up/Down
- Multifunction Leather Steering Wheel w/ Capacitive Buttons
- Rain-sensing Windshield Wipers w/ Heated Windshield Wiper Fluid
- Power-Folding Side Mirrors
- HD Radio™
- Bluetooth® Technology (for Handsfree Phone Use/Audio Streaming)
- Storage Package
- Ambient Lighting
- 11.9" LCD Center Touchscreen Display
- KEYLESS-GO®
- Wireless Smartphone Integration (Apple CarPlay & Android Auto)
- Power Sunroof
- Biometric Fingerprint Scanner
- Inductive Wireless Charging
- Power Tilt & Telescoping Steering Column
- Split Folding Rear Seats (40/20/40)
- Dual-Zone Climate Control
- Electronic Cruise Control
- Extendable Sun Visors
- SiriusXM Satellite Radio
- Garage Door Opener
- Steering Wheel Shift Paddles
- Auto-Dimming Rearview Mirror

Safety & Security

- New Vehicle 4-year/50,000 Mile Warranty
- Blind Spot Assist
- 3-Point Seat Belt with Pretensioners & Adaptive Belt Force Limiter
- Front and Rear Side Window Air Bags
- ISOFIX Anchor and Tether System
- Active Brake Assist
- PARKTRONIC w/ Active Parking Assist
- Tire Pressure Monitoring System (TPMS)
- Adaptive Highbeam Assist
- 24h Roadside Assistance Program
- LED Headlamps and Taillamps
- Front Dual-Stage Air Bags
- Driver Knee Air Bag
- ATTENTION ASSIST®
- PRE-SAFE® with PRE-SAFE® Sound
- Parking Damage Detection
- Antitheft Alarm
- Rearview Camera



Paint

Non-Metallic Paints



040 - Black



149 - Polar White

Metallic Paints



197 - Obsidian Black Metallic



922 - Cirrus Silver Metallic



831 - Graphite Grey Metallic



859 - Mojave Silver Metallic



842 - Twilight Blue Metallic



970 - Starling Blue Metallic



992 - Selenite Grey Metallic

MANUFAKTUR Paints



993 - MANUFAKTUR Patagonia Red Metallic



885 - MANUFAKTUR Moonlight White Metallic



818 - MANUFAKTUR Graphite Grey Magno

Code	Description	Availability	Price
040	Black	All Models	\$0
149	Polar White	All Models	\$0
197	Obsidian Black Metallic	All Models	\$750
922	Cirrus Silver Metallic	All Models	\$750
831	Graphite Grey Metallic	All Models	\$750
859	Mojave Silver Metallic	All Models	\$750
842 (New)	Twilight Blue Metallic	C300W	\$750
970	Starling Blue Metallic	All Models	\$750
992	Selenite Grey Metallic	All Models	\$750
993 (New)	MANUFAKTUR Patagonia Red Metallic	C300W	\$1,750
885	MANUFAKTUR Moonlight White Metallic	C300W	\$1,750
818 (New)	MANUFAKTUR Graphite Grey Magno	C300W	



Wheels



R32 - 18" 5-Spoke

18"

R02, R66

225/45 R18 on 7.5 J x 18 ET 40 (front), 245/40 R 18 on 8.5 J x 18 ET 52 (rear)



R86 - 18" Multispoke Wheel

18"

R02, R66

225/45 R18 on 7.5 J x 18 ET40 (Front), 245/40 R18 on 8.5 J x 18 ET52 (Rear)



R82 - 19" 5-Spoke

19"

R01, B51

225/40 R19 on 7.5 J x 19 ET40 (front), 255/35 R19 on 9 J x 19 ET58.1 (rear)



RSK - 18" AMG 5-Spoke Wheel w/ Black Accents

Requires AMG Line w/ Night Package (DG3)
18"

R02, R66

225/45 R18 on 7.5 J x 18 ET 40 (front), 245/40 R18 on 8.5 J x 18 ET 52 (rear)



RVC - 19" AMG Multispoke Wheel w/ Black Accents

Requires AMG Line w/ Night Package (DG3)
19"

R01, B51

225/40 R19 on 7.5 J x 19 ET40 wheels (front), 255/35 R19 on 9 J x 19 ET58.1 wheels (rear)



RVD - 19" AMG 5 Twin-Spoke Wheel w/ Black Accents

Requires AMG Line w/ Night Package (DG3)
19"

R01, B51

225/40 R19 on 7.5 J x 19 ET40 wheels (front), 255/35 R19 on 9 J x 19 ET58.1 wheels (rear)

<i>Code</i>	<i>Wheel Size</i>	<i>Description</i>	<i>Wheel Dimensions</i>	<i>Mobility</i>	<i>Availability</i>	<i>MSRP</i>
R32	18"		225/45 R18 on 7.5 J x 18 ET 40 (front), 245/40 R 18 on 8.5 J x 18 ET 52 (rear)	R02, R66	All Models	\$0
R86	18"		225/45 R18 on 7.5 J x 18 ET40 (Front), 245/40 R18 on 8.5 J x 18 ET52 (Rear)	R02, R66	All Models	\$0
R82	19"		225/40 R19 on 7.5 J x 19 ET40 (front), 255/35 R19 on 9 J x 19 ET58.1 (rear)	R01, B51	All Models	\$600
RSK	18"	Requires AMG Line w/ Night Package (DG3)	225/45 R18 on 7.5 J x 18 ET 40 (front), 245/40 R18 on 8.5 J x 18 ET 52 (rear)	R02, R66	All Models	\$0
RVC	19"	Requires AMG Line w/ Night Package (DG3)	225/40 R19 on 7.5 J x 19 ET40 wheels (front), 255/35 R19 on 9 J x 19 ET58.1 wheels (rear)	R01, B51	All Models	\$600
RVD	19"	Requires AMG Line w/ Night Package (DG3)	225/40 R19 on 7.5 J x 19 ET40 wheels (front), 255/35 R19 on 9 J x 19 ET58.1 wheels (rear)	R01, B51	All Models	\$600



Upholstery

MB Tex



101 - Black MB-Tex

Not available with AMG Line (DG3)



104 - Sienna Brown/Black MB-Tex

Not available with AMG Line (DG3),
MANUFAKTUR Patagonia Red (993), Starling
Blue Metallic (970)



105 - Macchiato Beige MB-Tex

Not available with AMG Line (DG3)



111 - AMG Black MB-Tex

Requires AMG Line (DG3)



118 - AMG Neva Grey MB-Tex

Requires AMG Line (DG3). Not available with
Mojave Silver Metallic (859)



**194 - AMG Sienna Brown/Black MB-
Tex**

Requires AMG Line (DG3). Not available with
MANUFAKTUR Patagonia Red (993), Starling
Blue Metallic (970)

Leather



211 - AMG Black Leather

Requires AMG Line (DG3)



**294 - AMG Sienna Brown/Black
Leather**

Requires AMG Line (DG3). Not available with
MANUFAKTUR Patagonia Red Metallic (993),
Starling Blue Metallic (970)



297 - AMG Power Red/Black Leather

Requires AMG Line (DG3). Not available with
Starling Blue Metallic (970)

Fabric Headliners



51U - Black Fabric Headliner

Available with all interiors



58U - Crystal Grey Fabric Headliner

Available only with Black MB-Tex (101) or
Black Leather (201)



<i>Code</i>	<i>Description</i>	<i>Availability</i>	<i>Price</i>
101	Black MB-Tex Not available with AMG Line (DG3)	All Models	\$0
104	Sienna Brown/Black MB-Tex Not available with AMG Line (DG3), MANUFAKTUR Patagonia Red (993), Starling Blue Metallic (970)	All Models	\$0
105	Macchiato Beige MB-Tex Not available with AMG Line (DG3)	All Models	\$0
111	AMG Black MB-Tex Requires AMG Line (DG3)	All Models	\$0
118	AMG Neva Grey MB-Tex Requires AMG Line (DG3). Not available with Mojave Silver Metallic (859)	All Models	\$0
194	AMG Sienna Brown/Black MB-Tex Requires AMG Line (DG3). Not available with MANUFAKTUR Patagonia Red (993), Starling Blue Metallic (970)	All Models	\$0
211	AMG Black Leather Requires AMG Line (DG3)	All Models	\$1,620
294	AMG Sienna Brown/Black Leather Requires AMG Line (DG3). Not available with MANUFAKTUR Patagonia Red Metallic (993), Starling Blue Metallic (970)	All Models	\$1,620
297	AMG Power Red/Black Leather Requires AMG Line (DG3). Not available with Starling Blue Metallic (970)	All Models	\$1,620
51U	Black Fabric Headliner	All Models	\$0
58U	Crystal Grey Fabric Headliner	All Models	\$0

<i>Code</i>	<i>Upholstery</i>	<i>Seats</i>	<i>Floor Mats</i>	<i>Upper Dash/Lower Dash</i>	<i>Seat Belts</i>	<i>Steering Wheel</i>	<i>Headliner</i>
101	Black MB-Tex Not available with AMG Line (DG3)	Black	Black	Black/Black	Black	Black	Black or Grey
104	Sienna Brown/Black MB-Tex Not available with AMG Line (DG3), MANUFAKTUR Patagonia Red (993), Starling Blue Metallic (970)	Brown	Black	Black/Black	Black	Black	Black
105	Macchiato Beige MB-Tex Not available with AMG Line (DG3)	Beige	Black	Black/Beige	Black	Black	Black
111	AMG Black MB-Tex Requires AMG Line (DG3)	Black	Black	Black/Black	Black	Black	Black
118	AMG Neva Grey MB-Tex Requires AMG Line (DG3). Not available with Mojave Silver Metallic (859)	Grey	Black	Black/Black	Black	Black	Black
194	AMG Sienna Brown/Black MB-Tex Requires AMG Line (DG3). Not available with MANUFAKTUR Patagonia Red (993), Starling Blue Metallic (970)	Brown/Black	Black	Black/Black	Black	Black	Black
211	AMG Black Leather Requires AMG Line (DG3)	Black	Black	Black/Black	Black	Black	Black
294	AMG Sienna Brown/Black Leather Requires AMG Line (DG3). Not available with MANUFAKTUR Patagonia Red Metallic (993), Starling Blue Metallic (970)	Brown/Black	Black	Black/Black	Black	Black	Black
297	AMG Power Red/Black Leather Requires AMG Line (DG3). Not available with Starling Blue Metallic (970)	Red/Black	Black	Black/Black	Black	Black	Black
51U	Black Fabric Headliner						
58U	Crystal Grey Fabric Headliner						



Trims



H03 - Glossy Brown Ash Wood

Only with Piano Black Lacquer Center Console (757). Not available with AMG Power Red/Black Leather (297)



H04 - Natural Grain Black Wood w/ Aluminum Lines

Only w/ Piano Black Lacquer Center Console (757)



H08 - FINELINE Anthracite Wood

Only w/ Metallic Fiber Weave Center Console (795)



H33 - Natural Grain Walnut Wood

Only w/ Piano Black Lacquer Center Console (757). Not available with AMG Power Red/Black Leather (297)



H50 - Silver Diamond Pattern

Only w/ Silver Diamond Pattern Center Console (794)



H64 - Metal Weave

Only w/ Metal Weave Center Console (795)



757 - Piano Black Lacquer Center Console

Available w/ H03, H04, H33



794 - Silver Diamond Pattern Center Console

Only w/ H50



795 - Metal Weave Center Console

Only w/ H64 or H08

<i>Code</i>	<i>Description</i>	<i>Availability</i>	<i>Price</i>
H03	Glossy Brown Ash Wood Only with Piano Black Lacquer Center Console (757). Not available with AMG Power Red/Black Leather (297)	All Models	\$0
H04	Natural Grain Black Wood w/ Aluminum Lines Only w/ Piano Black Lacquer Center Console (757)	All Models	\$200
H08	FINELINE Anthracite Wood Only w/ Metallic Fiber Weave Center Console (795)	All Models	\$0
H33	Natural Grain Walnut Wood Only w/ Piano Black Lacquer Center Console (757). Not available with AMG Power Red/Black Leather (297)	All Models	\$0
H50	Silver Diamond Pattern Only w/ Silver Diamond Pattern Center Console (794)	All Models	\$0
H64	Metal Weave Only w/ Metal Weave Center Console (795)	All Models	\$0
757	Piano Black Lacquer Center Console Available w/ H03, H04, H33	All Models	\$0
794	Silver Diamond Pattern Center Console Only w/ H50	All Models	\$0
795	Metal Weave Center Console Only w/ H64 or H08	All Models	\$0



Packages

<i>Code</i>	<i>Packages</i>	<i>Availability</i>	<i>MSRP</i>
DX1	Exclusive Trim <ul style="list-style-type: none"> ▪ 810 - Burmester 3D Surround Sound System (incl. 22U Music Streaming & 32U Sound Personalization) ▪ P47 - Surround View ▪ P82 - GUARD 360 ▪ PBG - MB Navigation ▪ U25 - Illuminated Door Sills 	All Models	
DX2	Pinnacle Trim Includes All Exclusive Trim content plus the below content <ul style="list-style-type: none"> ▪ 851 - Heat & Noise Insulating Glass (Limited Availability) ▪ PAX - DIGITAL LIGHT with Projections ▪ 444 - Head-Up Display ▪ U19 - Augmented Video for Navigation 	All Models	
DA2	Driver Assistance Package For Premium Trim (DX0), requires MB Navigation (PBG) <ul style="list-style-type: none"> ▪ Active Lane Change Assist ▪ Route-Based Speed Adaptation ▪ Active Speed Limit Assist ▪ PRE-SAFE® IMPULSE SIDE ▪ DISTRONIC PLUS with Steering Assist and Stop & Go Assist ▪ Driver Assistance Package Plus ▪ PRE-SAFE® PLUS 	All Models	
DG3	AMG Line w/ Night Package <ul style="list-style-type: none"> ▪ P55 - Night Package ▪ 772 - AMG Body Styling ▪ U34 - MB-Tex Dashboard ▪ U29 - Perforated Brake Discs with Mercedes-Benz Lettered Calipers ▪ Choice of spoiler (D10, D20, D21) ▪ P29 - AMG Line Interior incl. flat-bottom steering wheel, AMG floor mats, and brushed aluminum sport pedals w/ rubber studs ▪ P31 - AMG Line Exterior ▪ DG3 Wheel - Choice Of: <ul style="list-style-type: none"> ○ RVD - 19" AMG 5 Twin-Spoke Wheels w/ Black Accents (+\$600) ○ RSK - 18" AMG 5-Spoke Wheels w/ Black Accents ○ RVC - 19" AMG Multispoke Wheels w/ Black Accents (+\$600) ▪ 486 - Sport Suspension with Sport Steering System ▪ 5U4 - Star Grille 	All Models	\$3,400
PAV	Winter Package <ul style="list-style-type: none"> ▪ 443 - Heated Steering Wheel ▪ 875 - Heated Windshield Washer System 	C300W	



Options

Factory Options

<i>Code</i>	<i>Options</i>	<i>Availability</i>	<i>MSRP</i>
PBG	MB Navigation N/A with DX2 (already in Trim)	All Models	\$650
21U	Dashcam Requires Pinnacle Trim (DX2)	All Models	\$200
239	Active Distance Assist DISTRONIC® Not available in conjunction with DA2	All Models	\$600
401	Ventilated Front Seats Now available with all interior upholsteries	All Models	\$450
413	Panorama Roof	All Models	\$1,000
443	Heated Steering Wheel Available now as a flat-bottom steering wheel when ordering AMG Line	All Models	\$250
72B	Advanced USB Package	All Models	\$300
851	Acoustic Glass Limited Availability	All Models	\$150
293	Rear Seat Side Airbags	All Models	\$700



VPC Installed Options

<i>Code</i>	<i>Options</i>	<i>Availability</i>	<i>MSRP</i>
D07	Wheel Locking Bolts	All Models	\$160
D08	Door Handle Inserts, Chrome	All Models	\$100
D10	Rear Spoiler, Body Color Not available with Carbon Style Spoiler (D20) or Black Spoiler (D21)	All Models	\$350
D19	Rear Trim, Chrome Not with AMG Line (DG3)	All Models	\$200
D20	Rear Spoiler, Carbon Style Not available with Body Color Rear Spoiler (D10) or Black Spoiler (D21)	All Models	\$350
D21	Black Spoiler Not available with Body Color Rear Spoiler (D10) or Carbon Fiber-Look Spoiler (D20)	All Models	\$350
D37	Mercedes-Benz Star Set Plate frame/valve caps	All Models	\$70
D43	All-Weather Front/Rear Floor Mats, Black Rubber	All Models	\$170
D45	Animated LED Logo Projector Available starting with December production	All Models	\$310
D49	First Aid Kit	All Models	\$35



Specifications

C300W



Chassis

Drivetrain

Transmission	9G-TRONIC
Transmission Speeds	9
Drive Configuration	Rear-Wheel Drive

Engine

Engine Configuration	2.0L Inline-4 Turbo w/ 48V Mild Hybrid System
Power (hp)	255 hp (ICE), 20 hp (ISG)
Torque (lb-ft)	295 lb-ft (ICE), 148 lb-ft (ISG)
Fuel Requirement	Octane 91
Compression	10:1
Fuel Tank Size	17.4 gal
Displacement (cc)	1,999
# Valves per Cylinder	4

Performance

Acceleration	6.0
Top Speed	130 (electronically limited)

Fuel Economy

Fuel Economy (City/Hwy/Combined)	TBD
----------------------------------	-----

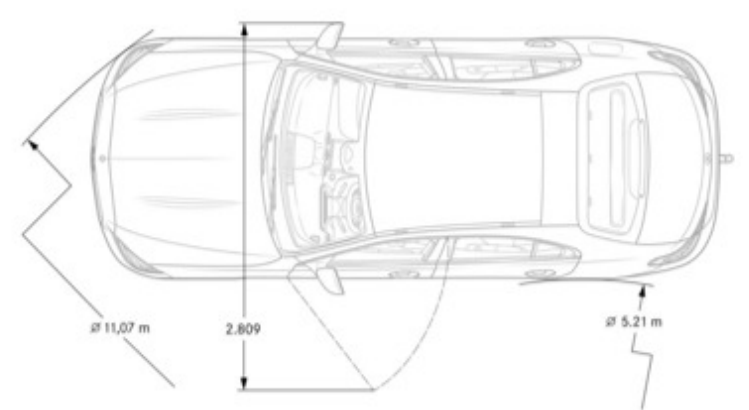
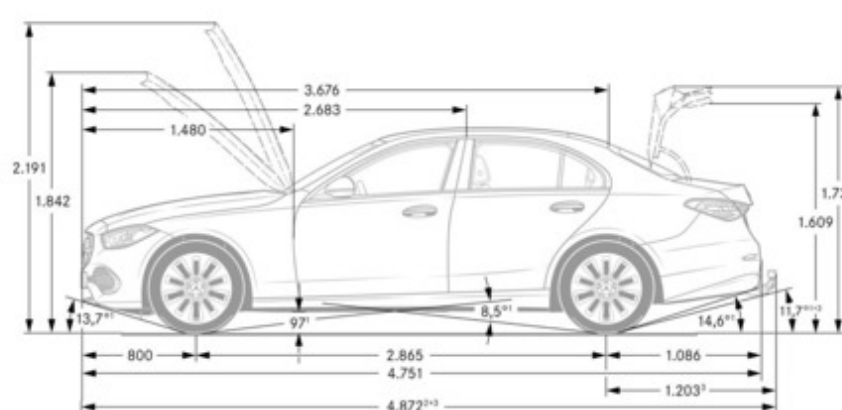
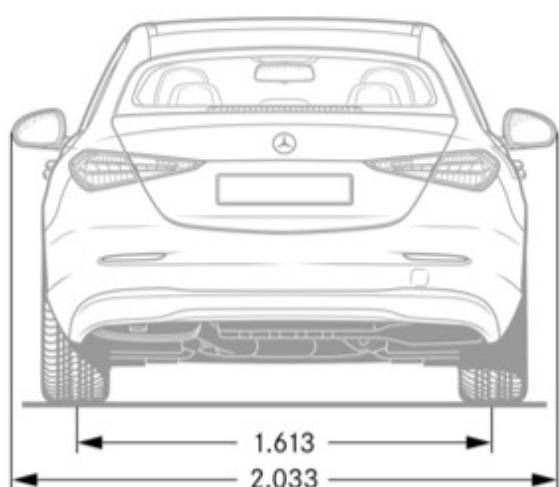
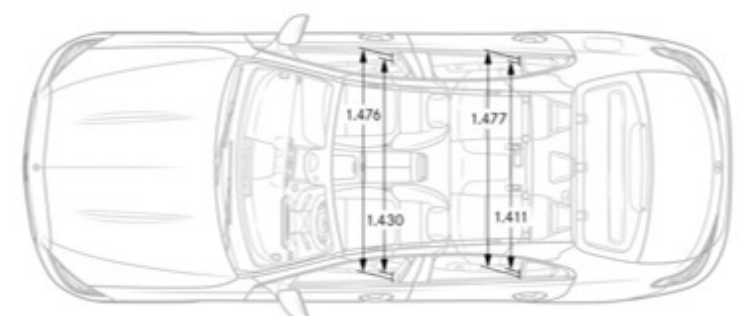
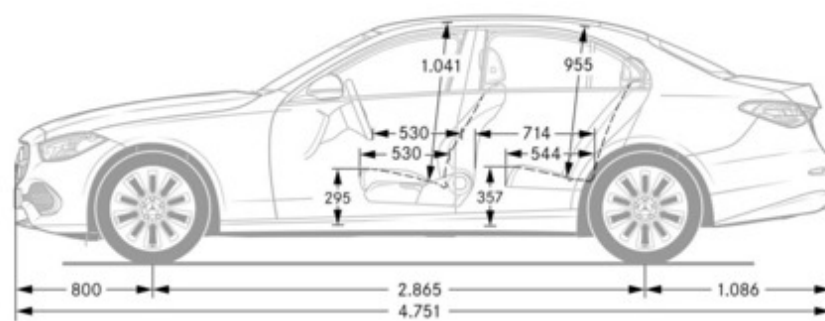
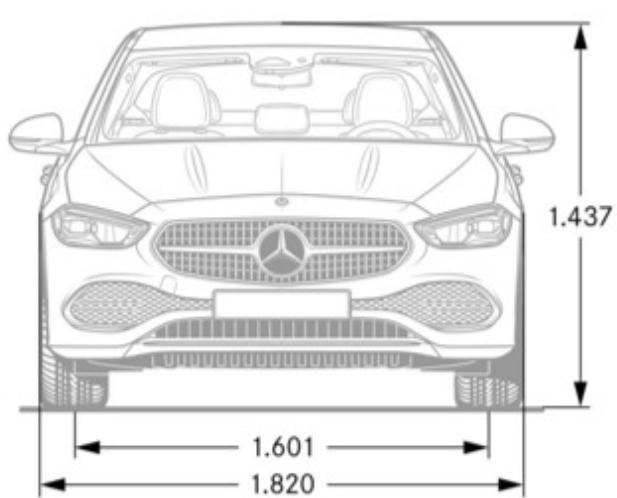
Exterior Dimensions

Vehicle Length	187 in
Vehicle Width, Mirrors Folded In	74.4 in
Vehicle Width with Mirrors	80 in
Vehicle Height	56.6 in
Wheelbase	112.8 in
Coefficient of Drag	TBD
Track Width Front/Rear	62.3/62.8 in
Curb Weight (lbs)	3825

Wheels and Tires

Interior Dimensions

Trunk Size	12.6
------------	------



Chassis

Drivetrain

Transmission	9G-TRONIC
Transmission Speeds	9
Drive Configuration	All-Wheel Drive

Engine

Engine Configuration	2.0L Inline-4 Turbo w/ 48V Mild Hybrid System
Power (hp)	255 hp (ICE), 20 hp (ISG)
Torque (lb-ft)	295 lb-ft (ICE), 148 lb-ft (ISG)
Fuel Requirement	Octane 91
Compression	10:1
Fuel Tank Size	17.4 gal
Displacement (cc)	1,999
# Valves per Cylinder	4

Performance

Acceleration	6.0
Top Speed	130 (electronically limited)

Fuel Economy

Fuel Economy (City/Hwy/Combined)	TBD
---	-----

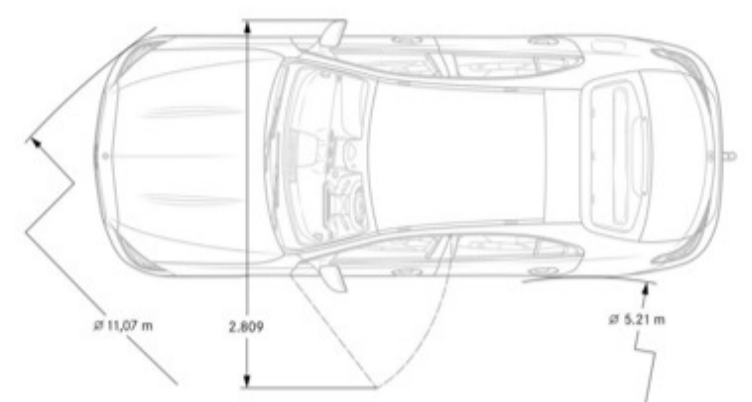
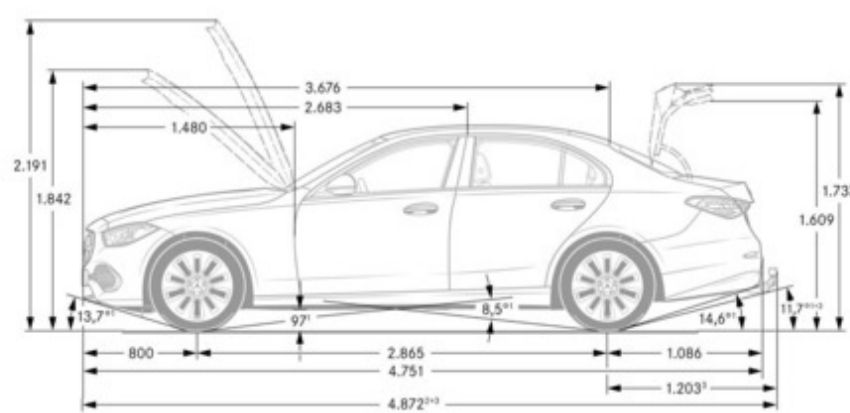
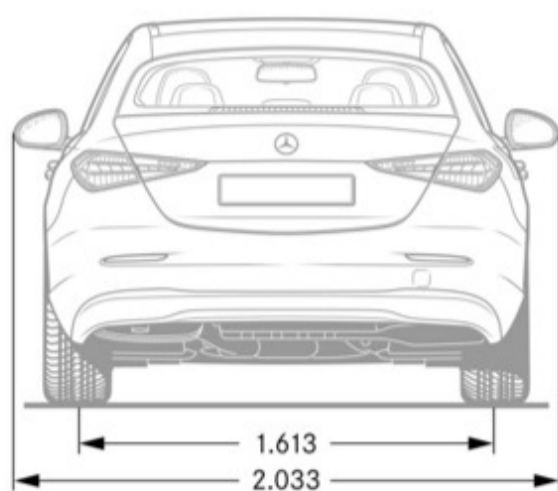
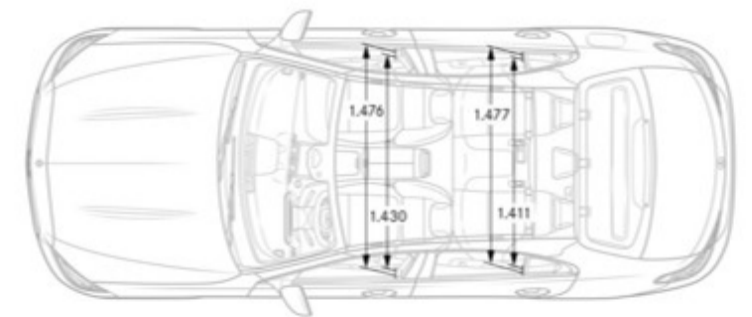
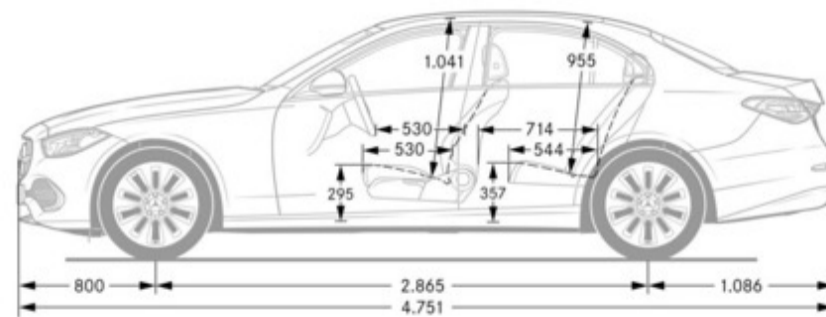
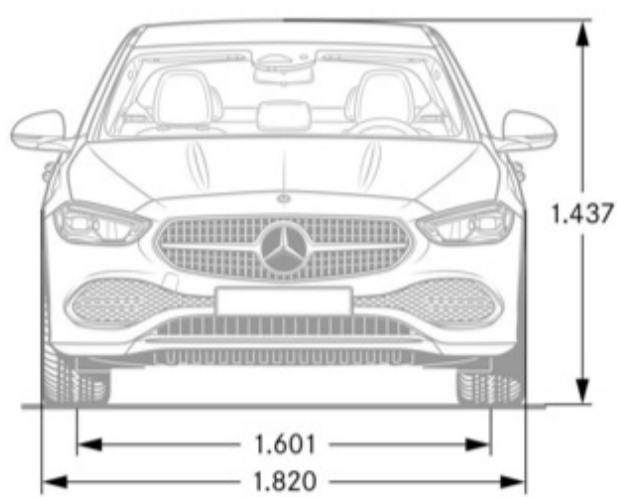
Exterior Dimensions

Vehicle Length	187 in
Vehicle Width, Mirrors Folded In	74.4 in
Vehicle Width with Mirrors	80 in
Vehicle Height	56.6 in
Wheelbase	112.8 in
Coefficient of Drag	TBD
Track Width Front/Rear	62.3/62.8 in
Curb Weight (lbs)	3957

Wheels and Tires

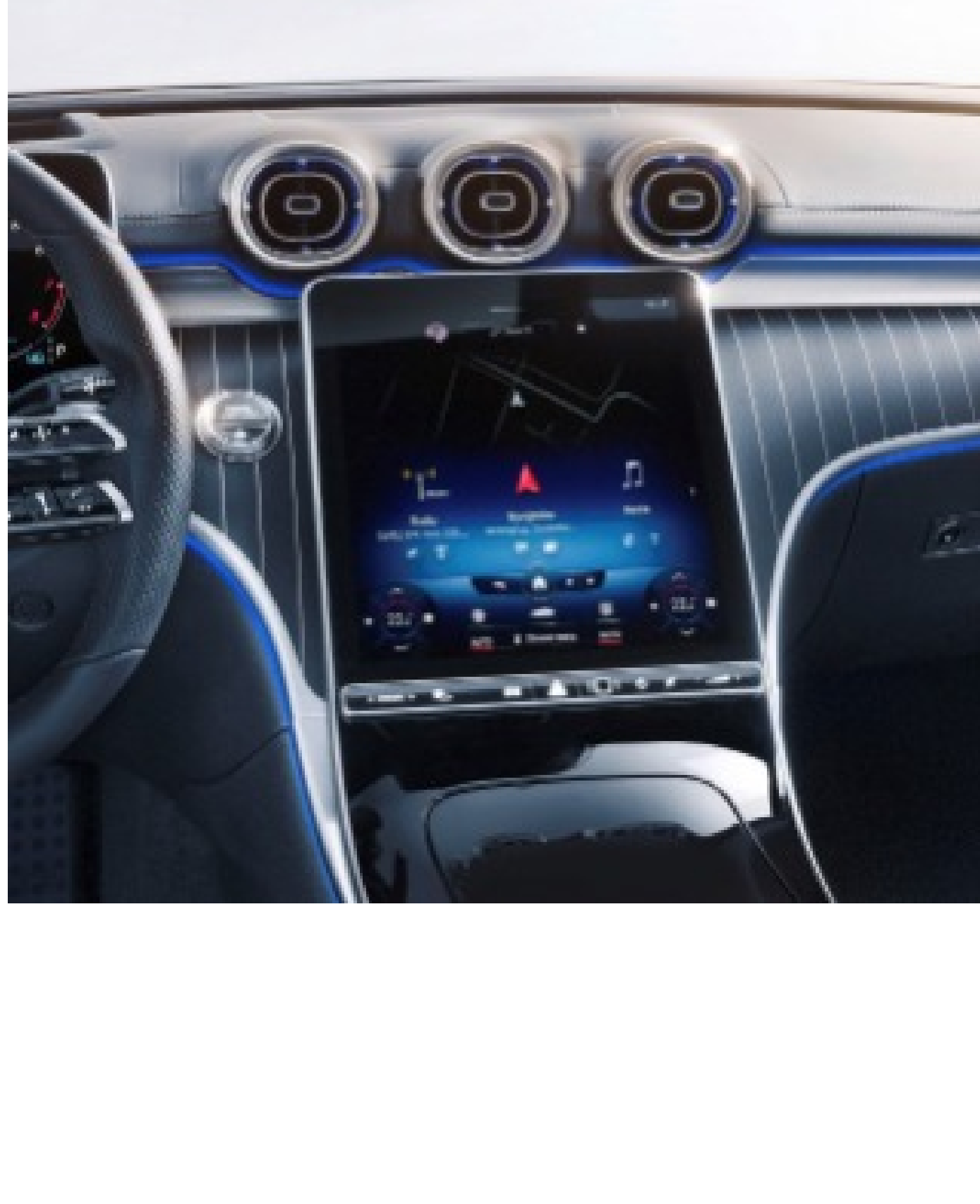
Interior Dimensions

Trunk Size	12.6
-------------------	------



Options In Detail

Mercedes-Benz User Experience (Standard)



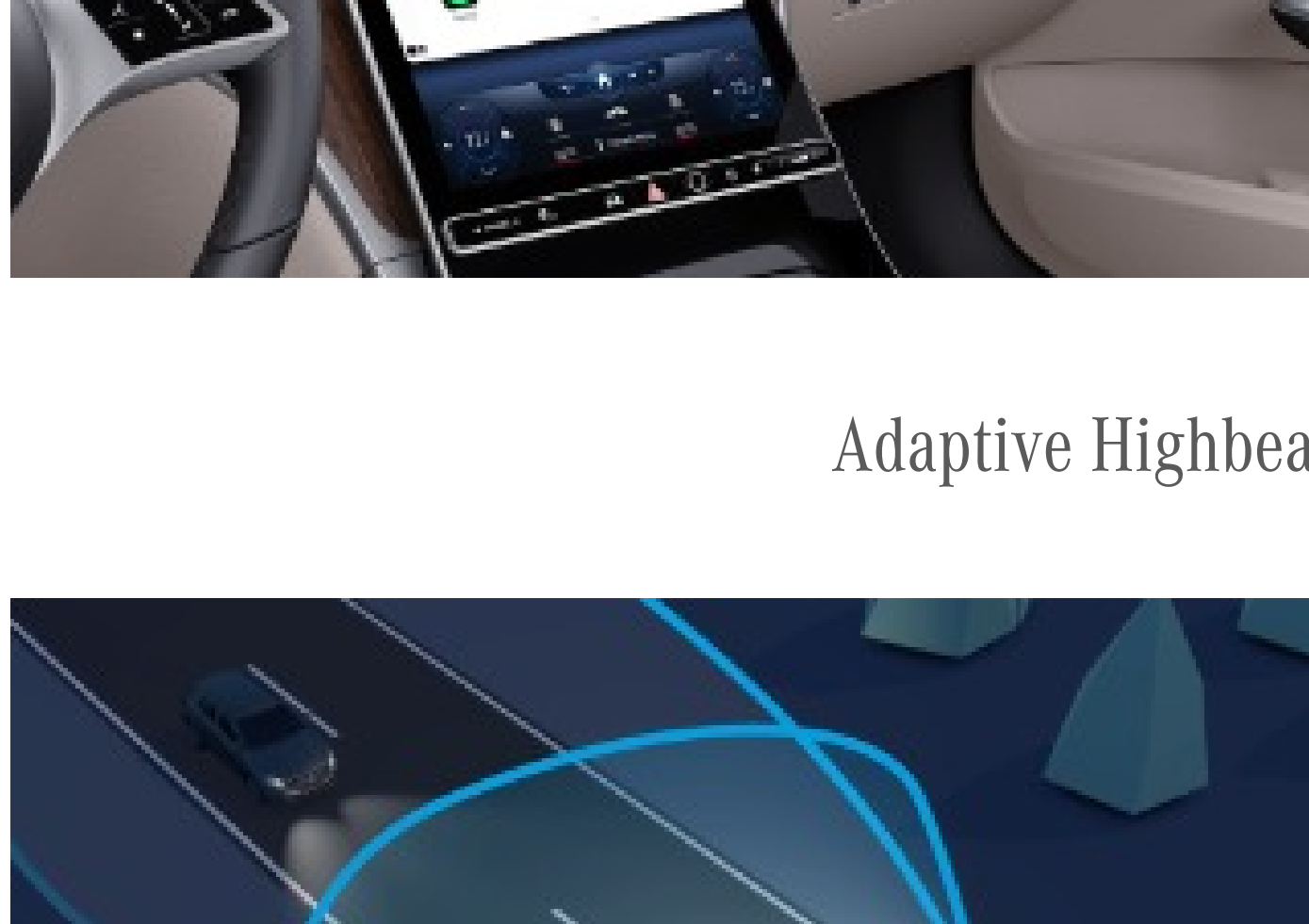
Extended MBUX Functions:

Say "Hey Mercedes", and your MBUX system awaits your commands. Personal profiles, predictive functions and a WiFi hotspot completely redefine the term digital networking

Many forms of interaction and personalization:

- The new C-Class now includes the latest generation of MBUX (NTG 7)
- Standard 11.9" Touchscreen Media display in portrait format as a visual highlight
- Up to seven different profiles are possible in the vehicle.
- Alongside entry of the Mercedes me PIN, new biometric and interconnected authentication functions ensure a high level of security. These are fingerprint (standard), and voice recognition (standard).
- New convenience functions include repositioning of the driver's seat and outside mirrors according to body size
- The voice assistant "Hey Mercedes" listens even more carefully, and understands the occupants even better: "Hey Mercedes" can also be controlled from the passenger seat. Several microphones help to tell the system which seat the voice is coming from.
- "Hey Mercedes" explains functions. The activation keyword "Hey Mercedes" is no longer necessary for certain applications. An incoming call can be taken direct with "Accept call", for example
- The appearance of the screens can be individualized with a choice of display styles
- Key functions such as the lights or windscreen wipers can still be operated directly. The climate control panel is permanently at the lower edge of the display

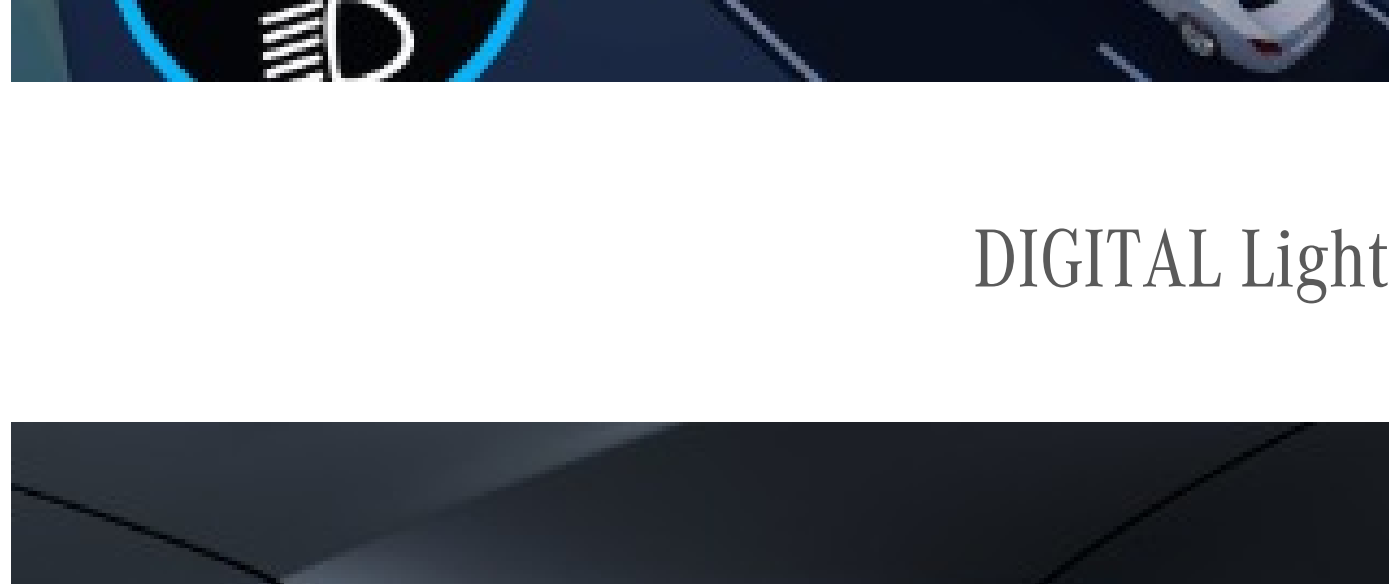
Wireless Smartphone Integration - Apple Carplay, Android Auto (Standard)



Features:

- Smartphone Integration connects the mobile phone with the multimedia system wirelessly via Apple CarPlay™ or Android Auto™. This gives you convenient access to the most important apps on your smartphone.

Adaptive Highbeam Assist (Standard)



Features:

- Automatic on/off of the Highbeam headlamps
- Camera on the inside of the windshield
- Detects oncoming vehicles and vehicles travelling in front which are illuminated
- Switched on by pressing the steering wheel control lever to the high beam setting

DIGITAL Light - PAX (Optional)



Features:

- HD light system with projection module (more than 1.3 million pixels per headlamp) and background module MULTIBEAM LED
- With data from the camera, sensors and navigation system, the brightness value for each individual pixel is calculated virtually in real time
- DIGITAL LIGHT projection functions, depending on local approval regulations, currently available with partial scopes in the USA
 1. Projection function for symbols (42U), e.g. as a direction symbol for lane correction when departing the lane (if equipped with DA2)
 2. Projection function for animations (43U), light shows when opening and closing the vehicle



Ambient Lighting (Standard)



Features:

- Ambient lighting in 64 static colors, all colors can be selected individually
- Variable brightness settings
- 10 color moods, also with static or multicolor animated color sequences
- Three dimming zones (All, Ambient, and Accent)

Burmester 3D Surround Sounds System w/ Sounds Personalization & Music Streaming (Included with DX1 & DX2)



Features:

- 15 high-performance speakers tuned to match the vehicle interior and each with its own amplifier channel
- DSP amplifier with a total output of 710 watts (2 x 120 watts, 7 x 50 watts, 6 x 20 watts) - Increase of 120 watts compared to the previous generation Burmester Surround Sound system.
- 2 broadband speakers in the front area for 3D sound
- Frontbass technology with subwoofers integrated into the body shell
- Sound optimisation for the front, rear or all seats
- 2 sound presets: two built-in sound presets of the 3D surround sound system, you can change the listening experience with a single touch of a button. For completely unadulterated music enjoyment without any additional effects, you can activate the "Pure" style. In "3D-Sound" mode you can also enjoy virtual surround sound with all audio signals.
- Equalizer function for setting the bass, midrange and treble frequencies
- Noise compensation (VNC)
- Sound Personalization - A tailor-made listening experience: with the personalization of the sound system you can easily achieve your perfect sound setup. A setup assistant with innovative algorithms identifies your music preferences together with you and sets the Burmester® sound system to match your requirements. It stores the result in your personal profile.

Dashcam - 21U (Optional - Requires DX2)



The dashcam films and saves what's happening on the road in front of your vehicle - and also records the time and speed. This can help you document the sequence of events in an accident, for example, and provide you with supporting evidence if necessary. Or you can use the dashcam to record landscapes and routes to create your own automotive travel diary.

Components:

- Camera in the windshield
- Recording of videos with a resolution of 1280 x 720 pixels (720p) and a frame rate of 30 Hz
- Additional storage of speed and time embedded in the video signal
- Control menu in the media display
- Footage stored via USB stick using the Media Interface
- Video material can be viewed on a computer or the media display (only possible when vehicle is stationary) - for this the storage media must first be removed from the interface and reconnected

Advanced USB Package - 72B (Optional)



Features:

- Two USB-C ports in the centre console, with fast-charging capability and suitable for data transfer
- Two USB-C ports under the front centre armrest, with fast-charging capability and suitable for data transfer
- Two USB-C ports for the rear on the centre armrest, with fast-charging capability
- Two 12 V sockets, one in the front, one in the rear
- With this package, all 6 USB ports are capable of USB Power Delivery (100W)

Note: The standard USB offering includes:

- One USB-C port in the center console, suitable for data transfer
- Two USB-C ports under the front centre armrest, suitable for data transfer
- One 12 V socket in the front
- Maximum power for all 3 USB ports is 15W

Driver Assistance Package (DA2) - Only for DX1/DX2; In DX1, requires MB Navigation (PBG)



Features:

- The Driver Assistance Package features Level 2 automated driving. State-of-the-art driving assistance systems support the driver according to the situation in terms of speed adjustment, steering, lane changes and the risk of collision. The risk of accidents is reduced - passengers and other road users are effectively protected.
- Drivers are afforded a great degree of relief in monotonous traffic during lengthy trips, for example, and in bumper-to-bumper driving or traffic jams as well as before curves, roundabouts, T-junctions and the end of traffic jams, etc.
- The fusion of different radar, ultrasound and camera sensors, map and navigation data, and live traffic information gives the customer more functionality compared to standard/individual functions.
- **The Driver Assistance Package Includes:**
 - Active Distance Assist DISTRONIC
 - Active Speed Limit Assist with response to changing speed limits
 - Extended automatic restarting
 - Route-based speed adaptation
 - Active Steering Assist
 - Active Lane Change Assist
 - Active Emergency Stop Assist
 - Evasive Steering Assist
 - Active Blind Spot Assist with exit warning
 - Active Brake Assist with turning and cross-traffic function
 - End-of-Traffic Emergency Braking
 - PRE-SAFE® PLUS

Active Distance Assist DISTRONIC® - 239 (Optional)



- Simply set the desired speed. The driver assistance system maintains this speed for you. In normal driving you don't need to constantly intervene yourself by braking or accelerating if the traffic ahead requires you to do so. Depending on which drive program you are in, your vehicle accelerates faster or slower up to the desired speed.

Features:

- Automatically acting driver assistance system: maintains the defined desired speed and at the same time controls the specified distance you have preselected
- When there are vehicles in front in flowing traffic: in a speed range from 0 to 100 mph
- Without any vehicles in front: in a speed range from 12 to 100 mph
- Visual and audible warning when the driver must intervene
- Depending on the drive program, the vehicle accelerates faster or slower up to the desired speed

Guard 360° (Included with DX1 & DX2)



In addition to the features included with the standard Parking Damage Detection, Guard 360 visualises the surroundings of the parked vehicle, for example if a collision has been detected. All the cameras of the 360° camera system are triggered. The resulting images are time-stamped. These images can be viewed in the central display as well as in the Mercedes me App and can then be used for further analysis purposes.

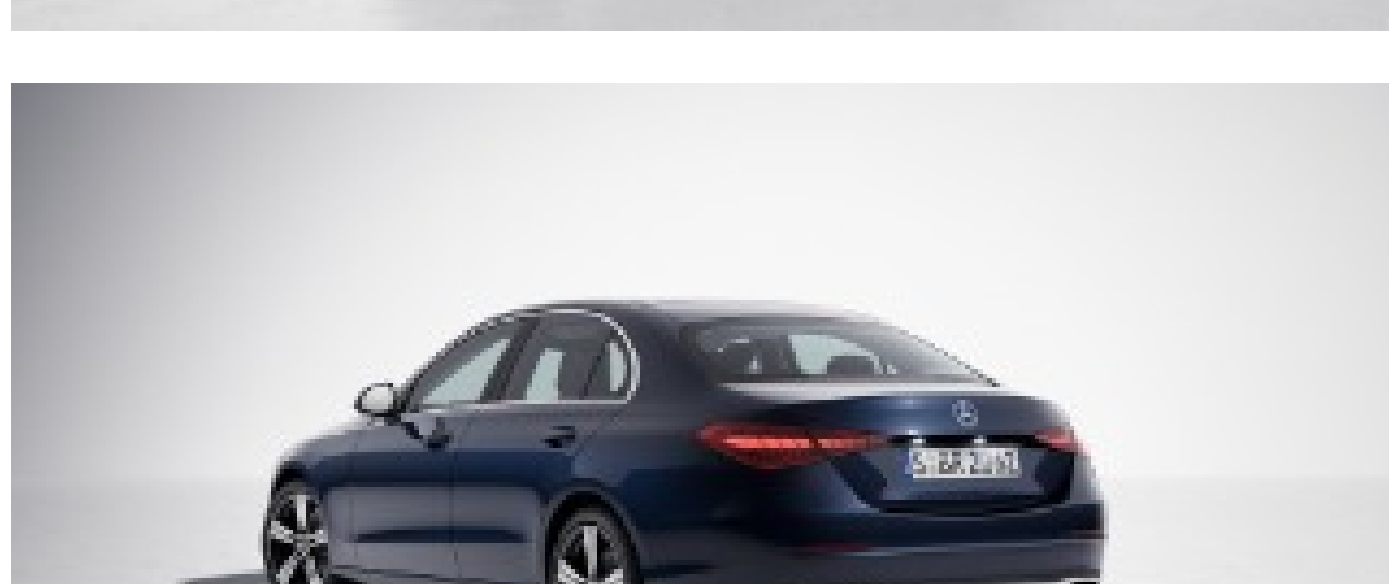
Standard vs AMG Line



Standard

Exterior Features:

- Radiator grille with integral Mercedes star and a chromed louvre, surround of the radiator grille in chrome
- Dynamic front bumper with centrally positioned trim element in mirror chrome and air inlets with diamond-pattern mesh in grained black
- Beltline trim strips in polished aluminium
- Side window surrounds in polished aluminium
- Side sill panels painted in vehicle colour



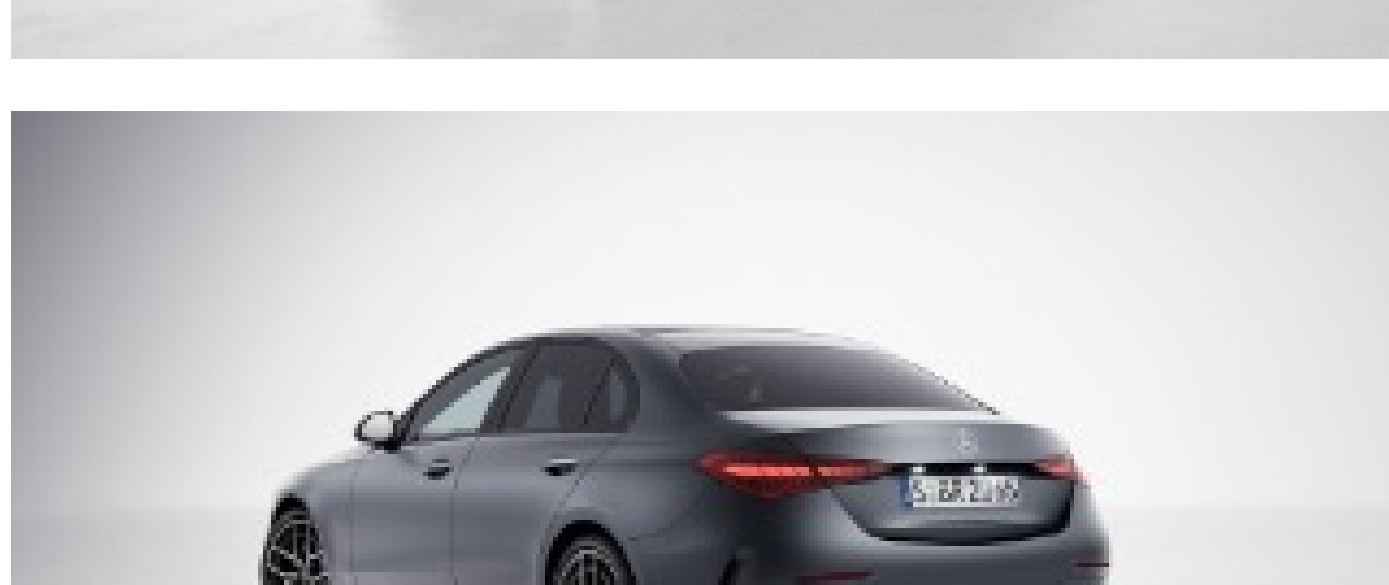
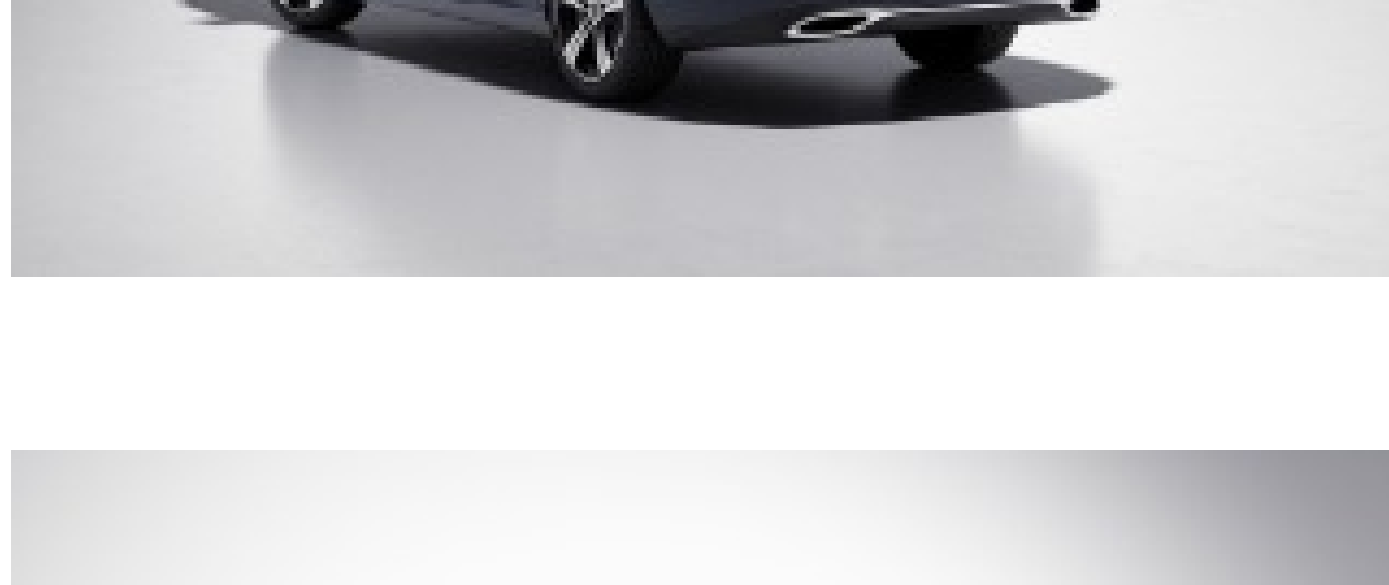
AMG Line

Exterior Features:

- AMG bodystyling consisting of AMG front apron with sporty air intakes and chrome trim element, diffuser-look AMG rear apron with insert in black plus AMG side sill panels
- Star Grille: Diamond radiator grille with pins in silver and louvre painted in high-gloss black
- Attractive light-alloy wheels: (18") AMG 5-spoke light-alloy wheels in high-gloss black with high-sheen finish (RSK):
- AMG front apron with trim (splitter) in high-gloss black
- Rear bumper with trim in high-gloss black
- Beltline trim strip and window weatherstrip in high-gloss black
- Exterior mirror housings painted high-gloss black

Interior Features:

- Multifunction sports steering wheel in nappa leather (LSC), with horizontal twin-spokes, flat bottom, deep embossing in the grip area, steering-wheel bezel and steering-wheel paddle shifters in silver chrome
- AMG brushed stainless steel sports pedals with black rubber studs
- Dashboard and beltlines in MB-Tex (U34)
- Floor mats in black with AMG lettering



Head-Up Display - 444 (Included with DX2)

The virtual image generated by the head-up display is projected into the driver's natural field of vision and appears to hover above the hood. The information selected by the driver, for example current speed, speed limits or navigation tips, is displayed in high resolution and in color. The navigation is therefore also easy to see on sunny days and at night.

The positioning in the direct field of vision enhances your concentration and the good perceptibility takes the strain off your eyes. These factors have a positive effect on your alertness, particularly on long journeys. To enable you to view the projection at a suitable angle, the height of the head-up display can be adjusted. The selected setting can be stored conveniently via the optional memory function for the driver's seat.

Details:

1. A lens and mirror system projects a virtual image into the driver's field of vision above the hood and at a distance of 4.5 m
2. Image size approx. 9° x 3° (approx. 71 x 23.5 cm) with a resolution of 720 x 240 pixels
3. Presentation of information in full colour, making it clearly legible even on sunny days and at night
4. Depending on equipment, display of navigation prompts, speed, speed limits and settings for cruise control or Active Distance Assist DISTRONIC

