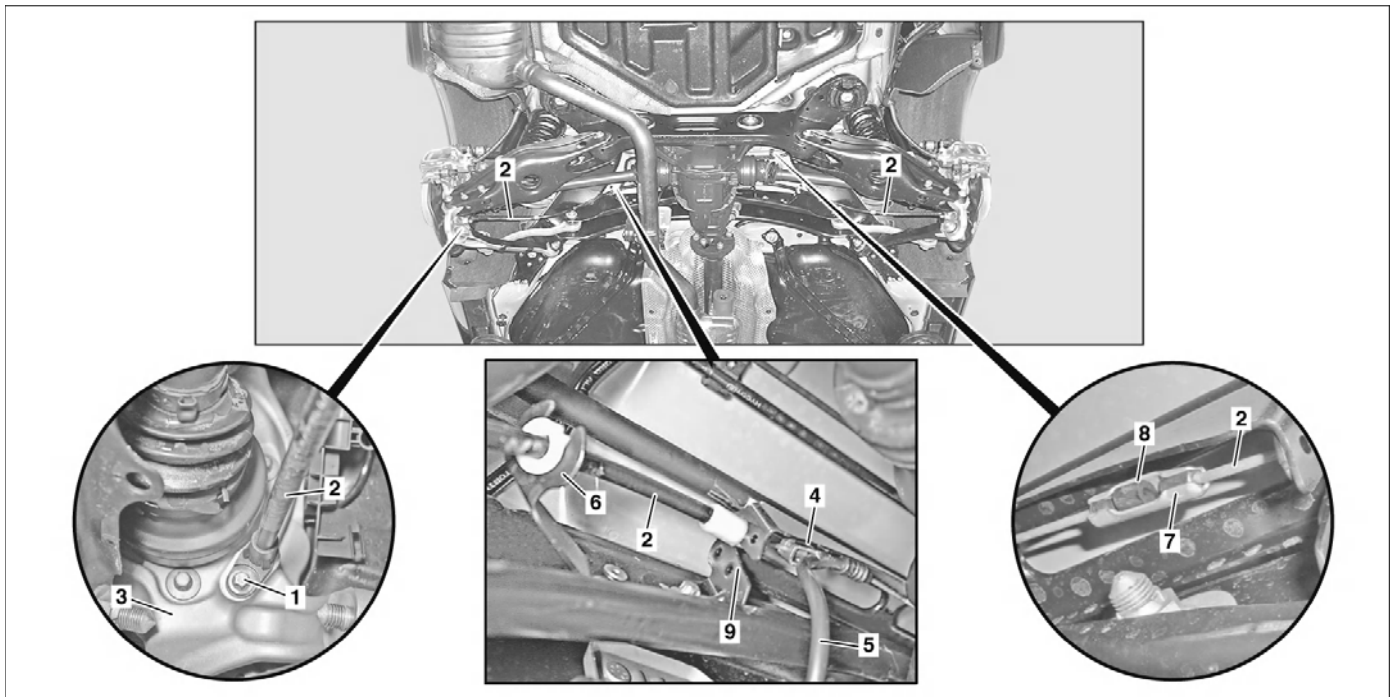


MODEL 207, 212, 218



P42.20-2455-09

1 Bolt  
2 Rear brake cable  
3 Wheel carrier

4 Left-hand separation point  
5 Center brake cable  
6 Guide

7 Right-hand separation point  
8 Rubber retainer  
9 Bracket

<b>Danger!</b>	<b>Risk of death</b> caused by vehicle slipping or toppling off of the lifting platform.	Align vehicle between vehicle lift columns and position the four support plates at the vehicle lift support points specified by the vehicle manufacturer.	AS00.00-Z-0010-01A
<b>Danger!</b>	<b>Risk of injury.</b> Skin or eye injuries may result when handling hot or glowing objects.	Wear protective gloves, protective clothing and safety glasses, if necessary.	AS00.00-Z-0002-01A
	Notes on repairs to brake system		AH42.00-P-0003-01A
	Notes on self-locking nuts and bolts		AH00.00-N-0001-01A
	<b>Remove/install</b>		
1	Remove brake shoes		AR42.20-P-0530EW
2	Remove bolt (1) and pull left or right rear brake cable (2) out of wheel carrier (3)	Self-locking bolt, brake cable at rear wheel carrier	*BA42.20-P-1002-01L
3	Disconnect left rear brake cable (2) at left connecting point (4) from center brake cable (5)		
4	Remove rubber retainer (8) from right-hand separation point (7)		
5	Disconnect right rear brake cable (2) from right connecting point (7)		
6	Unclip left or right rear brake cable (2) from bracket (9)	Snap-release tool	*129589116300
7	Unhook left or right rear brake cable (2) from guide (6) on rear axle carrier and remove		
8	Install in the reverse order		
9	Adjust parking brake		AR42.20-P-0540EW

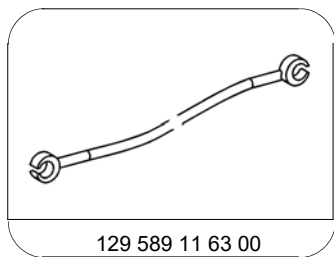
Parking brake

Number	Designation	MODEL 207	MODEL 212
--------	-------------	-----------	-----------

BA42.20-P-1002-01L	Self-locking bolt, brake cable at rear wheel carrier	Nm	12	12
--------------------	--	----	----	----

**Nm** Parking brake

Number	Designation		MODEL 218
BA42.20-P-1002-01L	Self-locking bolt, brake cable at rear wheel carrier	Nm	12



Snap-release tool