

AMG MANUFAKTUR

Price list
valid from September 1st, 2003



AMG Manufaktur:

“Cars to match your personality”

There's no denying that Mercedes-Benz makes exceptionally attractive vehicles. Innovative technology, high safety standards and an unmistakable design make our cars extremely desirable objects with a remarkably long product life and an impressive degree of originality and character. When ordering your new Mercedes, you can select from a range of items which you would like to see individually factory-fitted. But if you should find that you have a few ideas of your own which extend beyond these, then AMG Manufaktur could be just what you are looking for.

From technology and exterior features to interior design elements and mobile media systems, there is something for everyone here. Whether you are looking for highly specific equipment details, unusual colours or high-tech developments, in particular for drivers of a sporty disposition, we almost always manage to turn impossible-sounding dreams into reality – thanks to our skilled employees' painstaking craftsmanship, attention to detail and understanding of technical feasibility.

We can make your car as individual and as unique as your fingerprints or your personality.

An enticing prospect, we're sure you'll agree.

Contents:

Individuality from A - Z

General information.....	7
C-Class	11
Saloons.....	12
Estates	14
Sports Coupés	17
E-Class	21
Saloons.....	22
Estates	27
S-Class	33
M-Class	43
CLK-Class	51
Coupés	52
Cabriolets	56
CL-Class	61
SLK-Class	69
SL-Class	77
G-Class	85

Please note:

General information

Not all of the items listed are approved for use in every country.
Please contact local authorities for national regulations.

Manufaktur products are manufactured for each individual order according to colour and vehicle specifications. The basis for their manufacture is the information available to Mercedes-AMG at the time of drawing up the order confirmation. Changes made to the vehicle's basic specification at a later stage which result in the confirmed parts being impossible to install shall be the responsibility of the party placing the order. Any additional costs incurred as a result and any delay in delivery shall therefore be charged to the ordering party.

Any parts which are removed during modification work which is carried out by Mercedes-AMG are generally reused elsewhere without any consultation, unless otherwise indicated in the order confirmation. The only exceptions to this rule are removed wheels.

Prices apply ex factory in Affalterbach. The list may contain errors and is subject to technical change.

This price list invalidates all previously published price lists.

1. Technological features

Vehicles for which an increased top speed is offered must be fitted with standard suspension, wheels and tyres or comply with the specifications approved by Mercedes-AMG.

2. Interior

When selecting leather appointments in special colours, please note that, under certain circumstances, these may produce unacceptable contrasts with the standard plastic parts. If this has not been checked beforehand or the basic factory-fitted appointments have been altered after the order was placed with Mercedes-AMG, the resultant additional costs shall be charged to the ordering party.

Where vehicles already have full leather appointments, new blanks may have to be used. This will result in additional costs, beyond those listed here. These shall be calculated separately.

Where trim parts, wood/leather steering wheels and selector levers are concerned, differences between the colour and grain here and those of the standard trim parts cannot be ruled out.

3. Mobile media systems

These products are principally only valid in Germany and European countries (ECE). As a result of differences in approval terms, TV systems and the different national versions of the vehicles, they are only available for America, Asia, Australia and Eastern Europe on request.

AMG Manufaktur:

Prices for the C-Class

C-Class Saloons

		C 200 CDI 1)	C 220 CDI 1)	C 270 CDI	C 30 CDI AMG	C 180 KOMPRESSOR 2)	C 200 CGI/ KOMPRESSOR 2)	C 240	C 320	C 32 AMG	C 240 4MATIC	C 320 4MATIC	List price ex factory, excl. VAT	Retail price ex factory, incl. 16 % VAT
													EUR	EUR
TECHNOLOGY/EXTERIOR														
AMG instrument cluster	A 203 540 57 47					●	●	●	●	□	●	●	345	400.20
With 300-km/h speedometer scale (ECE version)	A 203 540 61 47	●	●	●	□									
Installation													70	81.20
Vmax.	VMAXBR203									●			1,475	1,711.00
Top speed raised to 280 km/h, incl. TÜV approval 3).														
Permissible tyre sizes and tyre models on request														
Manual shift program	HWA 203 260 xx xx									●			1,145	1,328.20
Modified transmission management unit with hold function														
Differential lock 4) 5)	A 203 350 41 64									●			2,655	3,079.80
Multiple-disc limited-slip differential (30%)														
Installation													490	568.40
AMG Nürburgring sports suspension	HWA 203 320 01 30				●					●			980	1,136.80
Incl. springs and shock absorbers														
Installation and alignment, incl. level adjustment													420	487.20
AMG light-alloy wheels, Style I, multi-piece		●	●	●	●	●	●	●	●	●	●	●	3,950	4,582.00
FA: 8.5 J x 18 ET 25	B6 603 1003													
RA: 10 J x 18 ET 25	B6 603 1004													
TÜV-associated modifications		●	●	●	●	●	●	●	●	●	●	●	1,800	2,088.00
AMG light-alloy wheels, Style IV, multi-piece		●	●	●	●	●	●	●	●	●	●	●	4,510	5,231.60
FA: 8.5 J x 18 ET 30	B6 603 1362													
RA: 9.5 J x 18 ET 18	B6 603 1363													
TÜV-associated modifications		●	●	●	●	●	●	●	●	●	●	●	1,800	2,088.00
AMG light-alloy wheels													on request	on request
For details of other wheel/tyre combinations, see the AMG accessories or Mercedes-Benz light-alloy wheels brochure														
Tyres		●	●	●	●	●	●	●	●	●	●	●	on request	on request
Installation													105	121.80

1) With M611 engine

2) With M271 engine

3) Must comply with national homologation

4) On request for models up to 10/01 – code 477 (tyre pressure loss warning system) deactivated where fitted

5) Manual shift program recommended

● Available as an option on payment of additional installation and paint costs indicated

□ Standard

C-Class Saloons

		Standard wood	Special wood	Carbon	Leather	Other	List price ex factory, excl. VAT EUR	Retail price ex factory, incl 16 % VAT EUR
INTERIOR								
Leather trim/carpeting								
Part-leather trim	A 203 983 02 84				●		6,640	7,702.40
Seats incl. head restraints, central door panels (incl. sidebags), back of front seats incl. ruffled pocket, with or without AMG badge in silver								
Floor mats with AMG logo and leather edging, set of 4, colours on request	HWA 203 680 02 48					●	280	324.80
Trim parts								
Trim set	A 203 680 01 71	●	●	●			2,160	2,505.60
As Mercedes-Benz standard:								
cover for upper part of dashboard (A), ashtray lid (B),								
cover for lower part of dome (C), retractable cover over ashtray lid (D),								
trim for driver and front passenger window switches (E), door trim strips (F)								
Installation							280	324.80
Additional equipment								
Door sill panels with AMG logo, set of 4, 2 with blue illumination	A 203 680 29 35					●	425	493.00
Installation							180	208.80
Telephone console without loudspeakers								
Plastic/carpet combination to match interior appointments	HWA 203 820 01 82					●	110	127.60
Leather/carpet combination to match interior appointments	HWA 203 820 00 82				●		100	116.00
Installation							40	46.40
Vehicle documents wallet leather, to match interior appointments	A 215 899 01 61				●		120	139.20
Tarpaulin in silver with AMG logo	HWA 203 585 00 03					●	300	348.00
Gearshift levers/steering wheels								
Wood/leather or carbon/leather selector lever	A 203 267 82 10	●	●	●			240	278.40
Leather to match interior appointments								
							240	278.40
							350	406.00
Installation							20	23.20
Ergonomic Soft Touch sports steering wheel	A 203 460 36 03				●		460	533.60
Leather-trimmed rim (single-tone or two-tone)								
Installation							50	58.00

1) Price applies in combination with supplied standard trim parts

● Available as an option on payment of additional installation and paint costs indicated
□ Standard

C-Class Estates

		C 200 CDI 1)	C 220 CDI 1)	C 270 CDI	C 30 CDI AMG	C 180 KOMPRESSOR 2)	C 200 CGI/ KOMPRESSOR 2)	C 240	C 320	C 32 AMG	C 240 4MATIC	C 320 4MATIC	List price ex factory, excl. VAT	Retail price ex factory, incl. 16 % VAT
													EUR	EUR
TECHNOLOGY/EXTERIOR														
AMG instrument cluster	A 203 540 57 47					●	●	●	●	□	●	●	345	400.20
With 300-km/h speedometer scale (ECE version)	A 203 540 61 47	●	●	●	□									
Installation													70	81.20
Vmax.	VMAXBR203									●			1,475	1,711.00
Top speed raised to 280 km/h, incl. TÜV approval 3).														
Permissible tyre sizes and tyre models on request														
Manual shift program	HWA 203 260 xx xx									●			1,145	1,328.20
Modified transmission management unit with hold function														
Differential lock 4) 5)	A 203 350 41 64									●			2,655	3,079.80
Multiple-disc limited-slip differential (30%)														
Installation													490	568.40
AMG Nürburgring sports suspension	HWA 203 320 02 30				●					●			980	1,136.80
Incl. springs and shock absorbers														
Installation and alignment, incl. level adjustment													420	487.20
AMG light-alloy wheels, Style I, multi-piece		●	●	●	●	●	●	●	●	●	●	●	3,950	4,582.00
FA: 8.5 J x 18 ET 25	B6 603 1003													
RA: 10 J x 18 ET 25	B6 603 1004													
TÜV-associated modifications		●	●	●	●	●	●	●	●	●	●	●	1,800	2,088.00
AMG light-alloy wheels, Style IV, multi-piece		●	●	●	●	●	●	●	●	●	●	●	4,510	5,231.60
FA: 8.5 J x 18 ET 30	B6 603 1362													
RA: 9.5 J x 18 ET 18	B6 603 1363													
TÜV-associated modifications		●	●	●	●	●	●	●	●	●	●	●	1,800	2,088.00
AMG light-alloy wheels													on request	on request
For details of other wheel/tyre combinations, see the AMG accessories or Mercedes-Benz light-alloy wheels brochure														
Tyres		●	●	●	●	●	●	●	●	●	●	●	on request	on request
Installation													105	121.80

1) With M611 engine

2) With M271 engine

3) Must comply with national homologation

4) On request for models up to 10/01 – code 477 (tyre pressure loss warning system) deactivated where fitted

5) Manual shift program recommended

● Available as an option on payment of additional installation and paint costs indicated

□ Standard

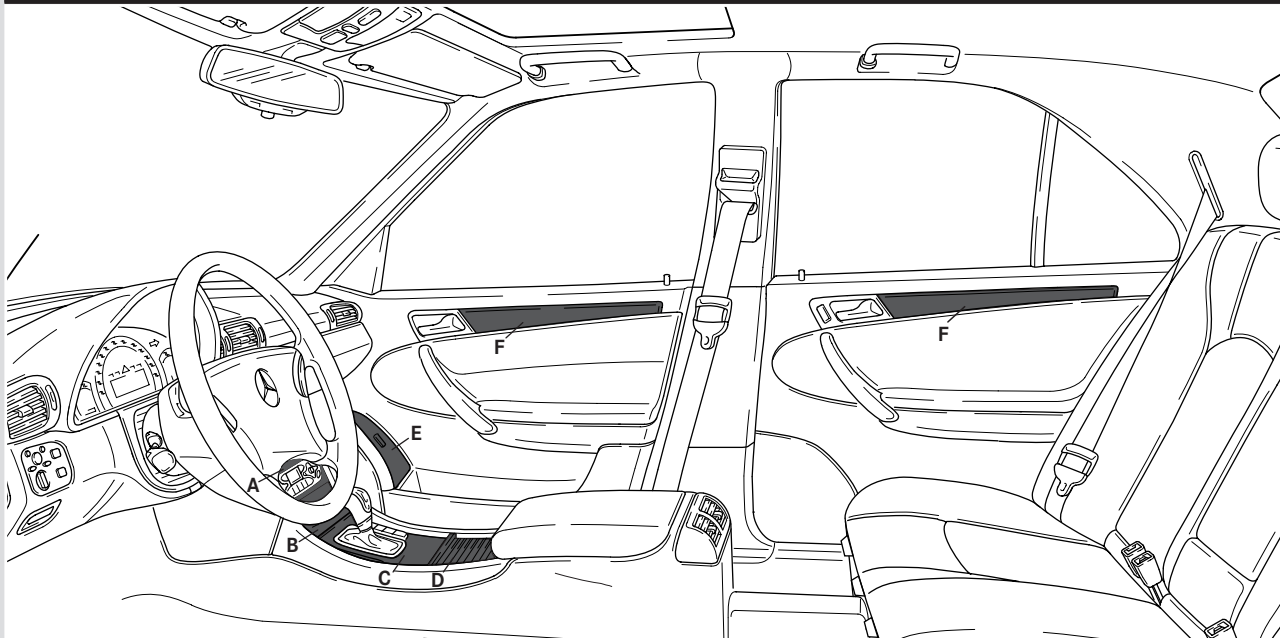
C-Class Estates

		Standard wood	Special wood	Carbon	Leather	Other	List price ex factory, excl. VAT EUR	Retail price ex factory, incl. 16 % VAT EUR
INTERIOR								
Leather trim/carpeting								
Part-leather trim	A 203 983 02 84				●		6,640	7,702.40
Seats incl. head restraints, central door panels (incl. sidebags), back of front seats incl. ruffled pocket, with or without AMG badge in silver								
Floor mats with AMG logo and leather edging, set of 4, colours on request	HWA 203 680 02 48					●	280	324.80
Trim parts								
Trim set	A 203 680 02 71	●	●	●			2,160	2,505.60
As Mercedes-Benz standard								
cover for upper part of dashboard (A), ashtray lid (B), cover for lower part of dome (C), retractable cover over ashtray lid (D), trim for driver and front passenger window switches (E), door trim strips (F)								
Installation								
							280	324.80
Additional equipment								
Door sill panels with AMG logo, set of 4, 2 with blue illumination	A 203 680 29 35					●	425	493.00
Installation								
							180	208.80
Telephone console without loudspeakers						●		
Plastic/carpet combination to match interior appointments	HWA 203 820 01 82					●	110	127.60
Leather/carpet combination to match interior appointments	HWA 203 820 00 82				●		100	116.00
Installation								
							40	46.40
Vehicle documents wallet leather, to match interior appointments	A 215 899 01 61				●		120	139.20
Tarpaulin in silver with AMG logo	HWA 203 585 01 03					●	320	371.20
Gearshift levers/steering wheels								
Wood/leather or carbon/leather selector lever	A 203 267 82 10	●	●	●			240	278.40
Leather to match interior appointments								
							240	278.40
Installation								
							350	406.00
Ergonomic Soft Touch sports steering wheel	A 203 460 36 03				●		460	533.60
Leather-trimmed rim (single-tone or 2-tone)								
Installation								
							50	58.00

1) Price applies in combination with supplied standard trim parts

● Available as an option on payment of additional installation and paint costs indicated
□ Standard

TRIM PARTS



Standard

C-Class Sports Coupés

	C 220 CDI 1)	C 30 CDI AMG	C 180 KOMPRESSOR 2)	C 200 CGI/ KOMPRESSOR 2)	C 230 KOMPRESSOR 2)	C 320	List price ex factory, excl. VAT EUR	Retail price ex factory, incl. 16 % VAT EUR
TECHNOLOGY/EXTERIOR								
CL 32 AMG technology package 3) 4)			●	●	●		36,080	41,852.80
260 kW (354 hp) at 6,100 rpm, 440 Nm at 4,000 rpm, Vmax. 250 km/h, incl. emission control system, 300-km/h speedometer, suspension, bodystyling, 18" wheels and steering wheel	HWA 203 600 xx xx							
AMG instrument cluster	A 203 540 08 47		●	●	●	●	390	452.40
With 300-km/h speedometer scale (ECE version)	A 203 540 62 47	●	□					
Installation							70	81.20
Manual shift program	HWA 203 260 xx xx		●	●	●		1,145	1,328.20
Modified transmission management unit with hold function. Only in combination with CL 32 AMG technology package								
AMG light-alloy wheels, Style I, multi-piece		●	●	●	●	●	3,950	4,582.00
FA: 8.5 J x 18 ET 25	B6 603 1003							
RA: 10 J x 18 ET 25	B6 603 1004							
TÜV-associated modifications		●	●	●	●	●	1,800	2,088.00
AMG light-alloy wheels, Style IV, multi-piece		●	●	●	●	●	4,510	5,231.60
FA: 8.5 J x 18 ET 30	B6 603 1362							
RA: 9.5 J x 18 ET 18	B6 603 1363							
TÜV-associated modifications		●	●	●	●	●	1,800	2,088.00
AMG light-alloy wheels							on request	on request
For details of other wheel/tyre combinations, see the AMG accessories or Mercedes-Benz light-alloy wheels brochure								
Tyres		●	●	●	●	●	on request	on request
Installation							105	121.80

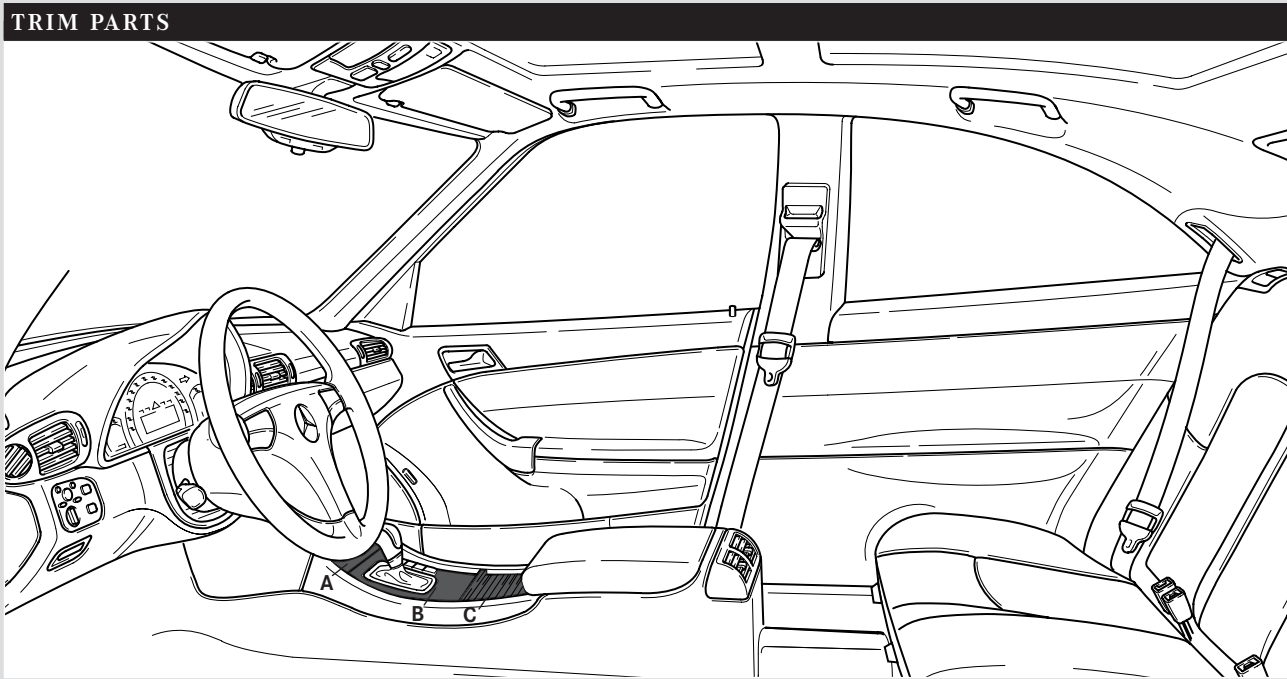
1) With M611 engine
2) With M271 engine
3) Must comply with national homologation
4) Codes 423, 580 and 581 required

● Available as an option on payment of additional installation and paint costs indicated
□ Standard

C-Class Sports Coupés

		Standard wood	Special wood	Carbon	Leather	Other	List price ex factory, excl. VAT EUR	Retail price ex factory, incl. 16 % VAT EUR
INTERIOR								
Leather trim/carpeting								
Part-leather trim	A 203 983 03 84				●		6,640	7,702.40
Seats incl. head restraints, central door panels (incl. sidebags), back of front seats incl. ruffled pocket, with or without AMG badge in silver								
Floor mats with AMG logo and leather edging, set of 4, colours on request	HWA 203 680 03 48					●	280	324.80
Trim parts								
Trim set	A 203 680 00 71	●	●	●			1,820	2,111.20
As Mercedes-Benz standard:								
ashtray cover (A), cover for upper part of dashboard, cover for lower part of dome (B), retractable cover over cigarette lighter (C)								
Installation								
							210	243.60
Additional equipment								
Door sill panels with AMG logo, set of 2, blue illumination	A 203 680 33 35					●	330	382.80
Installation								
							180	208.80
Telephone console						●		
Plastic/carpet combination to match interior appointments HWA 203 820 01 82								
Leather/carpet combination to match interior appointments HWA 203 820 00 82								
					●		100	116.00
Vehicle documents wallet leather, to match interior appointments	A 215 899 01 61				●		120	139.20
Tarpaulin in silver with AMG logo	HWA 203 585 02 03					●	300	348.00
Gearshift levers/steering wheels								
Wood/leather or carbon/leather selector lever	A 203 267 82 10	●	●	●			240	278.40
Leather to match interior appointments								
							300	348.00
							350	406.00
Installation								
							20	23.20
Ergonomic Soft Touch sports steering wheel	A 203 460 36 03				●		460	533.60
Leather-trimmed rim (single-tone or 2-tone). Only in combination with Saloon airbag: A 203 460 15 98								
Installation								
							50	58.00

C-Class Sports Coupés



Standard

AMG Manufaktur:

Prices for the E-Class

E-Class Saloons

	E 200 CDI	E 220 CDI	E 270 CDI	E 320 CDI	E 400 CDI	E 200 KOMPRESSOR 1)	E 240	E 320	E 500	E 55 AMG	List price ex factory, excl. VAT	Retail price ex factory, incl. 16 % VAT
											EUR	EUR
TECHNOLOGY/EXTERIOR												
Vmax. Top speed raised to 300 km/h, incl. TÜV approval 2). Permissible tyre sizes and tyre models on request	VMAXBR211									●	2,150	2,494.00
Manual shift program Modified transmission management unit with hold function	HWA 211 260 xx xx									●	1,145	1,328.20
Differential lock 3) Multiple-disc limited-slip differential (30%)	A 211 350 58 62									●	2,655	3,079.80
Installation											680	788.80
AMG light-alloy wheels, Style IV, multi-piece FA: 8.5 J x 19 ET 25 RA: 10 J x 19 ET 28	B6 603 1092 B6 603 1093	●	●	●	●	●	●	●	●	●	4,400	5,104.00
TÜV-associated modifications		●	●	●	●	●	●	●	●	●	1,800	2,088.00
AMG light-alloy wheels For details of other wheel/tyre combinations, see the AMG accessories or Mercedes-Benz light-alloy wheels brochure											on request	on request
Tyres		●	●	●	●	●	●	●	●	●	on request	on request
Installation											105	121.80

E-Class Saloons

		Standard wood	Special wood	Carbon, black	Alcantara	Leather	Other	List price ex factory, excl. VAT EUR	Retail price ex factory, incl. 16 % VAT EUR
INTERIOR									
Leather trim/carpeting									
Part-leather trim									
Seats (upholstery and head restraints), back of front seats incl. ruffled pockets, with or without AMG badge in silver									
Standard design ¹⁾	HWA 211 910 00 01					●		6,690	7,760.40
AMG design ²⁾	HWA 211 910 01 01					●		6,920	8,027.20
Conversion to AMG sports seats	HWA 211 910 02 01					●		on request	on request
Additional charge in combination with code 248 (integral child seat) ³⁾						●		240	278.40
Wheel arch trim rear, left/right	HWA 211 690 00 26					●		250	290.00
Lower seat trim driver/front passenger seat									
Leather	HWA 211 910 00 39					●		570	609.47
Alcantara	HWA 211 910 01 39				●			570	609.47
Retrofit integral child seats for E 55 AMG									
In rear, left/right	HWA 211 920 00 02					●		2,600	3,016.00
Installation								560	649.60
Upper dashboard, incl. window sills, window frame, mirror triangles and parcel shelf (only in combination with code 540)									
Left-hand drive	HWA 211 680 00 87					●		3,925	4,553.00
Right-hand drive	HWA 211 680 01 87								
Door trim below window sills									
Incl. armrests, lower B-pillars, excl. central door panels									
Left-hand drive	HWA 211 720 01 62					●		3,980	4,616.80
Right-hand drive	HWA 211 720 02 62								
Central door panels									
Front and rear, leather-trimmed	HWA 211 720 00 62					●		840	974.40
Lower dashboard									
Incl. centre console and armrest, glove compartment cover, spectacles box cover, centre console cover, armrest on centre console and shiftgate surround leather-trimmed									
Left-hand drive	HWA 211 680 04 87					●		1,350	1,566.00
Right-hand drive	HWA 211 680 05 87								
Roof liner in Alcantara (panoramic sunroof)									
Incl. A, B and C-pillar trim, sunblinds, sun visors									
	HWA 211 690 00 50				●			4,560	5,289.60
Roof liner in Alcantara (tilting/sliding sunroof)									
Incl. A, B and C-pillar trim, sun visors, tilting/sliding sunroof trim									
	HWA 211 690 01 50				●			3,205	3,717.80

1) Not for E 55 AMG

2) For E 55 AMG only

3) Not in combination with code 872 (heated seats)

● Available as an option on payment of additional installation and paint costs indicated
□ Standard

E-Class Saloons

		Standard wood	Special wood	Carbon, black	Alcantara	Leather	Other	List price ex factory, excl. VAT	Retail price ex factory, incl. 16 % VAT
								EUR	EUR
INTERIOR									
Leather trim/carpeting (continued)									
Roof liner – additional features									
Interior mirror leather-trimmed	HWA 211 810 00 17					●		330	382.80
Roof-mounted grab handles leather-trimmed	HWA 211 810 00 51					●		275	319.00
Plastic parts colour-coordinated	A 211 680 00 07						●	940	1,090.40
Carpet colour-coordinated ¹⁾ Special colours on request	HWA 211 680 00 03						●	1,890	2,192.40
Floor mats with AMG logo and leather edging, set of 4, colours on request							●	320	371.20
Left-hand drive	HWA 211 680 00 48								
Right-hand drive	HWA 211 680 01 48								
4MATIC right-hand drive	HWA 211 680 02 48								
4MATIC left-hand drive	HWA 211 680 03 48								
Trim parts									
Trim set	HWA 211 680 00 71	●						915	1,061.40
As Mercedes-Benz standard:			●					3,455	4,007.80
dashboard trim strip (A), cover (concealed stowage compartment) (B), ashtray lid (C), shift/selecter lever cover (D), lid for drink holder (E), armrest button (F), door trim strips (G) (with ELEGANCE and AVANTGARDE lines only)				●				4,780	5,544.80
Installation								350	406.00
Trim set, 5-piece	HWA 211 810 00 07	●	●	●				1,500	1,740.00
Ashtray lids in rear doors (H), rear vent trim, rear centre console (I), rear ashtray housing (J), rear ashtray housing lid (K)									
Installation								70	81.20
Additional equipment									
Door sill panels with AMG logo, set of 4, all with blue illumination	B6 602 1043						●	595	690.20
Installation								490	568.40
Telephone console									
Plastic	HWA 211 820 00 82						●	80	92.80
Leather	HWA 211 820 01 82					●		125	145.00
Installation								40	46.40
Vehicle documents wallet leather, to match interior appointments	A 215 899 01 61					●		120	139.20
Tarpaulin in silver with AMG logo	HWA 211 585 00 03						●	300	348.00

E-Class Saloons

		Standard wood	Special wood	Carbon, black	Alcantara	Leather	Other	List price ex factory, excl. VAT EUR	Retail price ex factory, incl. 16% VAT EUR
INTERIOR									
Gearshift levers/steering wheels									
Leather selector lever	HWA 211 267 02 10					●		240	278.40
Not in combination with code 889 (KEYLESS-GO)									
Installation									
								20	23.20
Leather selector lever	HWA 211 267 03 10					●		270	313.20
In combination with code 889 (KEYLESS-GO)									
Installation									
								20	23.20
All-wood selector lever	HWA 230 267 08 10	●	●					490	568.40
In combination with code 889 (KEYLESS-GO)									
Installation									
								20	23.20
All-wood selector lever	HWA 230 267 07 10	●	●					490	568.40
Not in combination with code 889 (KEYLESS-GO)									
Installation									
								20	23.20
Standard steering wheel leather-trimmed to match interior ^{1) 2)}	HWA 220 460 06 03					●		370	429.20
Rim and impact absorber leather-trimmed									
Installation									
								50	58.00
Ergonomic Soft Touch sports steering wheel ²⁾	HWA 211 460 00 03					●		670	777.20
Rim and impact absorber leather-trimmed (single-tone or 2-tone).									
Only in combination with steering wheel gearshift function									
Installation									
								50	58.00
Ergonomic Soft Touch sports steering wheel ²⁾	HWA 463 460 00 03					●		670	777.20
Rim and impact absorber leather-trimmed (single-tone or 2-tone).									
Not in combination with steering wheel gearshift function									
Installation									
								50	58.00
Ergonomic wood or carbon/leather sports steering wheel ²⁾	A 211 460 65 03	●	●	●				expected to be available from 4th quarter/2003	
Rim and impact absorber leather-trimmed.									
Only in combination with steering wheel gearshift function									
Installation									
								50	58.00
Ergonomic wood or carbon/leather sports steering wheel ²⁾	A 211 460 64 03	●	●	●				expected to be available from 4th quarter/2003	
Rim and impact absorber leather-trimmed.									
Not in combination with steering wheel gearshift function									
Installation									
								50	58.00
Leather-trimmed airbag						●		expected to be available from 4th quarter/2003	
To match interior appointments									

1) Steering wheel supplied

2) Not in combination with heated steering wheel (code 443)

● Available as an option on payment of additional installation and paint costs indicated

□ Standard

MOBILE MEDIA SYSTEMS**Mobile office**

Car Communication Unit in glove compartment	A 211 820 27 35	●	4,480	5,196.80
<ul style="list-style-type: none"> - Print, fax, scan, copy, telephone and send SMS - GSM modem with handset and hands-free function - LAN interface - No on-board networking 				
Installation			1,200	1,392.00
Telephone and fax in glove compartment (incl. hands-free system)	A 211 820 26 35	●	2,680	3,108.80
<ul style="list-style-type: none"> - Telephone console on dome - Nokia 6090 telephone (no on-board networking) - Possio PM 70 mobile fax 				
Installation			1,680	1,948.80
Aerial connection for mobile internet access in interior	HWA 211 820 00 75	●	560	649.60
<ul style="list-style-type: none"> - Aerial in bumper (dualband) - Aerial compenser - Connecting cable for PCMCIA modem 				
Installation			420	487.20

Entertainment

Rear Seat Entertainment	A 211 827 64 42	●	3,800	4,408.00
<ul style="list-style-type: none"> - 6.5" screens behind head restraints - Only in combination with code 527 - Headphones recommended - External video ports (games console, etc.) - Not in combination with code 842 				
Installation			800	928.00
DVD changer	HWA 211 820 00 89	●	2,300	2,668.00
<ul style="list-style-type: none"> - Additional 6-DVD changer (code-free) in boot - Only in combination with code 527, 860 - Also compatible with code 861 or A 211 827 64 42 				
Installation			700	812.00
Headphones	HWA 220 820 28 89	●	300	348.00
<ul style="list-style-type: none"> - Two Sennheiser Noise Guard headphones 				

E-Class Estates

	E 220 CDI	E 270 CDI	E 320 CDI	E 200 KOMPRESSOR 1)	E 240	E 320	E 500	E 55 AMG	List price ex factory, excl. VAT EUR	Retail price ex factory, incl. 16% VAT EUR
TECHNOLOGY/EXTERIOR										
Vmax. Top speed raised to 300 km/h, incl. TÜV approval 2). Permissible tyre sizes and tyre models on request	VMAXBR211							●	2,150	2,494.00
Manual shift program Modified transmission management unit with hold function	HWA 211 260 xx xx							●	1,145	1,328.20
Differential lock 3) Multiple-disc limited-slip differential (30%) Installation	A 211 350 58 62							●	2,655 680	3,079.80 788.80
AMG light-alloy wheels, Style IV, multi-piece FA: 8.5 J x 19 ET 25 RA: 10 J x 19 ET 28 TÜV-associated modifications	B6 603 1092 B6 603 1093	●	●	●	●	●	●	●	4,400 1,800	5,104.00 2,088.00
AMG light-alloy wheels For details of other wheel/tyre combinations, see the AMG accessories or Mercedes-Benz light-alloy wheels brochure									on request	on request
Tyres Installation		●	●	●	●	●	●	●	on request 105	on request 121.80

1) With M271 engine

2) Only in combination with AMG 18" light-alloy wheels (with 19" on request). Must comply with national homologation. Not with code 461

3) For models up to 05/04 only

● Available as an option on payment of additional installation and paint costs indicated
□ Standard

E-Class Estates

		Standard wood	Special wood	Carbon, black	Alcantara	Leather	Other	List price ex factory, excl. VAT	Retail price ex factory, incl. 16 % VAT
								EUR	EUR
INTERIOR									
Leather trim/carpeting									
Part-leather trim									
Seats (upholstery and head restraints), back of front seats incl. ruffled pockets, with or without AMG badge in silver Standard design ¹⁾	HWA 211 910 03 01					●		6,690	7,760.40
AMG design ²⁾	HWA 211 910 04 01					●		6,920	8,027.20
Conversion to AMG sports seats	HWA 211 910 05 01					●		on request	on request
Additional charge in combination with code 248 (integral child seat) ³⁾						●		240	278.40
Lower seat trim driver/front passenger seat									
Leather	HWA 211 910 00 39					●		570	609.47
Alcantara	HWA 211 910 01 39				●			570	609.47
Upper dashboard, incl. window sills, window frame and mirror triangles									
Left-hand drive	HWA 211 680 06 87					●		3,925	4,553.00
Right-hand drive	HWA 211 680 07 87					●			
Door trim below window sills									
Incl. armrests, lower B-pillars, excl. central door panels Left-hand drive	HWA 211 720 01 62					●		3,980	4,616.80
Right-hand drive	HWA 211 720 02 62					●			
Central door panels									
Front and rear, individually leather-trimmed	HWA 211 720 00 62					●		840	974.40
Lower dashboard									
Incl. centre console and armrest, glove compartment cover, spectacles box cover, centre console cover, armrest on centre console and shift gate surround individually leather-trimmed Left-hand drive	HWA 211 680 04 87					●		1,350	1,566.00
Right-hand drive	HWA 211 680 05 87					●			
Roof liner in Alcantara (tilting/sliding sunroof)									
Incl. A, B, C and D-pillar trim, rear panels, sun visors	HWA 211 690 02 50				●			4,560	5,289.60
Interior mirror leather-trimmed	HWA 211 810 00 17					●		330	382.80
Roof-mounted grab handles leather-trimmed	HWA 211 810 00 51					●		275	319.00
Plastic parts colour-coordinated	A 211 680 01 07						●	940	1,090.40
Carpet colour-coordinated ⁴⁾									
Special colours on request	HWA 211 680 01 03						●	1,890	2,192.40
Floor mats with AMG logo and leather edging, colours on request									
Set of 4, left-hand drive	HWA 211 680 00 48						●	320	371.20
Set of 4, right-hand drive	HWA 211 680 01 48						●		

1) Not for E 55 AMG

2) For E 55 AMG only

3) Not in combination with code 872 (heated seats)

4) Price in combination with part-leather trim

● Available as an option on payment of additional installation and paint costs indicated

□ Standard

		Standard wood	Special wood	Carbon, black	Alcantara	Leather	Other	List price ex factory, excl. VAT EUR	Retail price ex factory, incl. 16% VAT EUR
INTERIOR									
Trim parts									
Trim set	HWA 211 680 00 71	●						915	1,061.40
As Mercedes-Benz standard:			●					3,455	4,007.80
dashboard trim strip (A), cover (concealed stowage compartment) (B),				●				4,780	5,544.80
ashtray lid (C), shift/selector lever cover (D),									
lid for drink holder (E), armrest button (F),									
door trim strips (G) (with ELEGANCE and AVANTGARDE lines only)									
Installation								350	406.00
Trim set, 5-piece	HWA 211 810 00 07	●	●	●				1,500	1,740.00
Ashtray lids in rear doors (H),									
rear vent trim, rear centre console (I),									
rear ashtray housing (J), rear ashtray housing lid (K)									
Installation								70	81.20
Additional equipment									
Door sill panels with AMG logo, set of 4, all with blue illumination	B6 602 1043						●	595	690.20
Illustration								490	568.40
Telephone console									
Plastic	HWA 211 820 00 82						●	80	92.80
Leather	HWA 211 820 01 82					●		125	145.00
Installation								40	46.40
Vehicle documents wallet leather, to match interior appointments	A 215 899 01 61					●		120	139.20
Tarpaulin in silver with AMG logo	HWA 211 585 01 03						●	320	371.20
Gearshift levers/steering wheels									
Leather selector lever	HWA 211 267 02 10					●		240	278.40
Not in combination with code 889 (KEYLESS-GO)									
Installation								20	23.20
Leather selector lever	HWA 211 267 03 10					●		270	313.20
In combination with code 889 (KEYLESS-GO)									
Installation								20	23.20
All-wood selector lever	HWA 230 267 08 10	●	●					490	568.40
In combination with code 889 (KEYLESS-GO)									
Installation								20	23.20
All-wood selector lever	HWA 230 267 07 10	●	●					490	568.40
Not in combination with code 889 (KEYLESS-GO)									
Installation								20	23.20
Standard steering wheel leather-trimmed to match interior ^{1) 2)}	HWA 220 460 06 03					●		370	429.20
Rim and impact absorber leather-trimmed									
Installation								50	58.00

1) With supplied steering wheel

2) Not in combination with heated steering wheel (code 443)

● Available as an option on payment of additional installation and paint costs indicated

□ Standard

	Standard wood	Special wood	Carbon, black	Alcantara	Leather	Other	List price ex factory, excl. VAT EUR	Retail price ex factory, incl. 16 % VAT EUR
INTERIOR								
Gearshift levers/steering wheels (continued)								
Ergonomic Soft Touch sports steering wheel ¹⁾ HWA 211 460 00 03					●		670	777.20
Rim and impact absorber leather-trimmed (single-tone or 2-tone). Only in combination with steering wheel gearshift function								
Installation							50	58.00
Ergonomic Soft Touch sports steering wheel ¹⁾ HWA 463 460 00 03					●		670	777.20
Rim and impact absorber leather-trimmed (single-tone or 2-tone). Not in combination with steering wheel gearshift function								
Installation							50	58.00
Ergonomic wood or carbon/leather sports steering wheel ¹⁾ A 211 460 65 03	●	●	●				expected to be available from 4th quarter/2003	
Rim and impact absorber leather-trimmed. Only in combination with steering wheel gearshift function								
Installation							50	58.00
Ergonomic wood or carbon/leather sports steering wheel ¹⁾ A 211 460 64 03	●	●	●				expected to be available from 4th quarter/2003	
Rim and impact absorber leather-trimmed. Not in combination with steering wheel gearshift function								
Installation							50	58.00
Leather-trimmed airbag					●		expected to be available from 4th quarter/2003	
To match interior appointments								

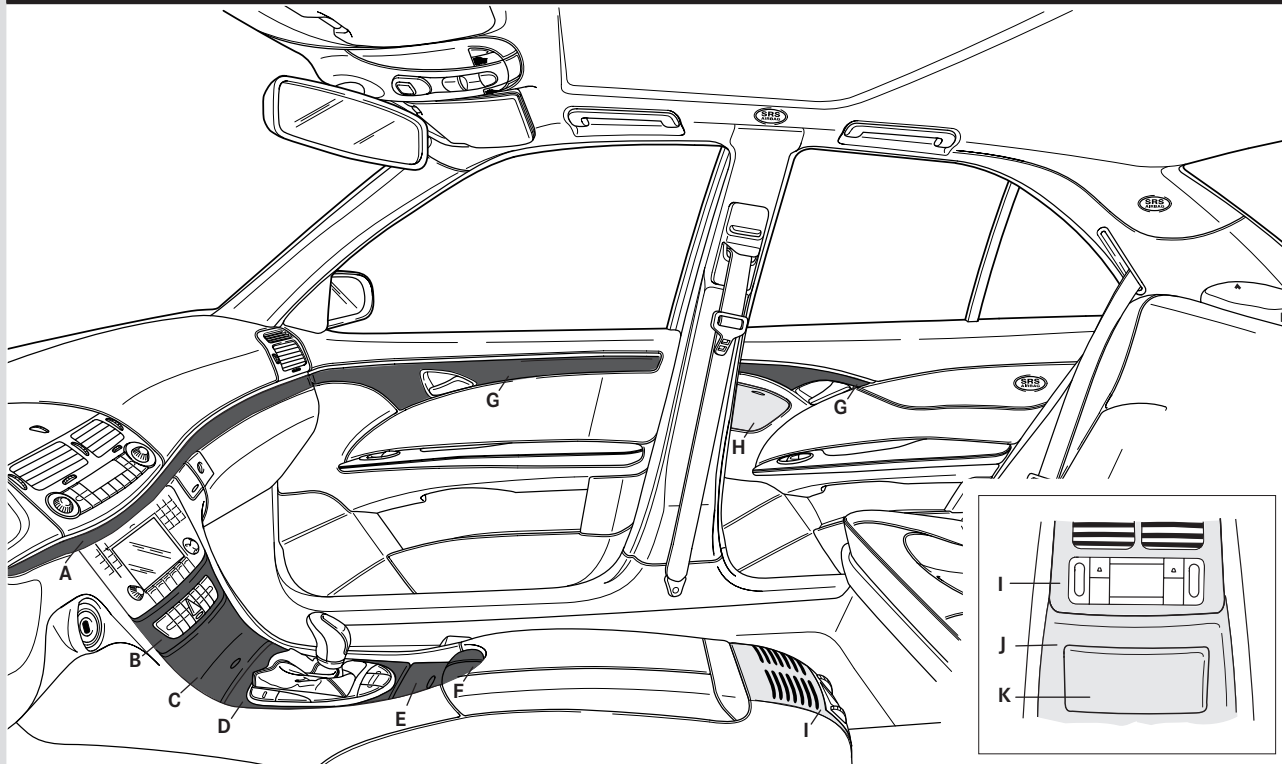
MOBILE MEDIA SYSTEMS**Mobile office**

Car Communication Unit in glove compartment	A 211 820 27 35	●	4,480	5,196.80
<ul style="list-style-type: none"> - Print, fax, scan, copy, telephone and send SMS - GSM modem with headset and hands-free function - LAN interface - No on-board networking 				
Installation			1,200	1,392.00
Telephone and fax in glove compartment (incl. hands-free system)	A 211 820 26 35	●	2,680	3,108.80
<ul style="list-style-type: none"> - Telephone console on dome - Nokia 6090 telephone (no on-board networking) - Possio PM 70 mobile fax 				
Installation			1,680	1,948.80
Aerial connection for mobile internet access in interior	HWA 211 820 00 75	●	560	649.60
<ul style="list-style-type: none"> - Aerial in bumper (dualband) - Aerial compenser - Connecting cable for PCMCIA modem 				
Installation			420	487.20

Entertainment

Rear Seat Entertainment	A 211 827 64 42	●	3,800	4,408.00
<ul style="list-style-type: none"> - 6.5" screens behind head restraints - Only in combination with code 527 - Headphones recommended - External video ports (games console, etc.) - Not in combination with code 842 				
Installation			800	928.00
Headphones	HWA 220 820 28 89	●	300	348.00
<ul style="list-style-type: none"> - Two Sennheiser Noise Guard headphones 				

TRIM PARTS



- Standard
- Extra

AMG Manufaktur:

Prices for the S-Class

S-Class

		S 320 CDI	S 400 CDI	S 350	S 430	S 500	S 55 AMG	S 600 1)	S 350 4MATIC	S 430 4MATIC	S 500 4MATIC	List price ex factory, excl. VAT	Retail price ex factory, incl. 16 % VAT
												EUR	EUR
TECHNOLOGY/EXTERIOR													
Vmax.	VMAXBR220						●					2,150	2,494.00
Top speed raised to 300 km/h, incl. TÜV approval ²⁾ .													
Permissible tyre sizes and tyre models on request													
AMG Nürburgring sports suspension	A 220 320 00 30					● 3)		●				3,370	3,909.20
Spring struts at FA/RA, ABC suspension													
Installation and alignment, incl. level adjustment													
												600	696.00
AMG light-alloy wheels												on request	on request
For details of permissible wheel/tyre combinations, see the AMG accessories or Mercedes-Benz light-alloy wheels brochure													
Tyres		●	●	●	●	●	●	●	●	●	●	on request	on request
Installation													
												105	121.80

S-Class

		Standard wood	Special wood	Carbon, black	Alcantara	Leather	Other	List price ex factory, excl. VAT	Retail price ex factory, incl. 16% VAT
								EUR	EUR
INTERIOR									
Leather trim/carpeting									
Part-leather trim in Mercedes-Benz standard design									
Seat upholstery, backrest trim, head restraints, sidebags, all seat trim parts, trim for seat adjustment units in doors, entire dashboard, centre console, armrest, lower side ventilation grille, with or without AMG badge in silver						●		10,790	12,516.40
Short wheelbase	HWA 220 983 04 84								
Long wheelbase with code 223	HWA 220 983 05 84								
Long wheelbase with code 224	HWA 220 983 06 84								
Part-leather trim in AMG design									
Seat upholstery, backrest trim, head restraints, sidebags, all seat trim parts, trim for seat adjustment units in doors, entire dashboard, centre console, armrest, lower side ventilation grille, with or without AMG badge in silver						●		10,990	12,748.40
Short wheelbase	HWA 220 983 10 84								
Long wheelbase with code 223	HWA 220 983 11 84								
Long wheelbase with code 224	HWA 220 983 12 84								
Door handles ^{1) 2)}									
Short wheelbase	HWA 220 810 15 54					●		365	423.40
Long wheelbase	HWA 220 810 16 54								
Armrest in door ^{1) 2)}									
Short wheelbase	HWA 220 810 17 54					●		395	458.20
Long wheelbase	HWA 220 810 18 54								
Lower central door panels ^{1) 2)}									
Incl. leather-trimmed map pocket and painted loudspeaker grille, leather-trimmed ashtray and panel						●		2,035	2,360.60
Short wheelbase	HWA 220 720 00 70								
Long wheelbase	HWA 220 720 01 70								
Window sill panels ^{1) 2) 3)}									
Short wheelbase	HWA 220 720 02 70					●		760	881.60
Long wheelbase	HWA 220 720 03 70								
Leather-trimmed interior mirror									
	HWA 129 810 00 17					●		425	493.00
Leather-trimmed parcel shelf ^{1) 2)}									
With code 223	HWA 220 690 00 49					●		910	1,055.60
With code 224	HWA 220 690 01 49					●		950	1,102.00

S-Class

1) Prices not applicable in combination with Exclusive Leather
 2) Prices only in combination with part-leather trim
 3) Price only in combination with part-leather trim or lower central door panels

● Available as an option on payment of additional installation and paint costs indicated
 □ Standard

		Standard wood	Special wood	Carbon, black	Alcantara	Leather	Other	List price ex factory, excl. VAT EUR	Retail price ex factory, incl. 16 % VAT EUR
INTERIOR									
Leather trim/carpeting (continued)									
Roof liner in Alcantara ¹⁾									
Incl. A, B and C-pillars and sun visors in Alcantara, vanity mirrors in standard wood, plastic roof liner parts in black. Only in combination with code 414									
Anthracite Alcantara									
Short wheelbase	HWA 220 690 05 50				●			3,230	3,746.80
Long wheelbase	HWA 220 690 07 50								
Coloured Alcantara									
Short wheelbase	HWA 220 690 04 50				●			3,720	4,315.20
Long wheelbase	HWA 220 690 06 50								
Plastic roof liner parts painted in leather colour ²⁾									
Door handle recesses and fan panel for sunroof, interior lights, end strip for vanity mirrors, interior monitoring, PARKTRONIC (only in combination with roof liner)	HWA 210 690 03 50						●	170	197.20
Carpet colour-coordinated ¹⁾									
Short wheelbase	HWA 220 680 00 03						●	1,880	2,180.80
Long wheelbase	HWA 220 680 01 03								
Floor mats with AMG logo and leather edging, colours on request									
Set of 4, short wheelbase	HWA 220 680 06 48						●	320	371.20
Set of 4, long wheelbase	HWA 220 680 07 48								
Floor mats with AMG logo and leather edging, colours on request									
Set of 2, front	HWA 220 680 00 48						●	160	185.60
Set of 2, rear, W 220	HWA 220 680 01 48								
Set of 2, rear, V 220	HWA 220 680 02 48								
Trim parts									
Trim set as Mercedes-Benz standard:									
dashboard trim strip (A), upper cover (B), cover for air conditioning system (C), ashtray lid (D), shift gate (E), lower cover (F), lid for stowage compartment in centre console (G), cover for rear air conditioning system (H), door trim strips front/rear (I), trim for window switches (J); V 220 with code 224 and S 600 L also feature retractable cover for rear seat stowage box (K). S 600 L also with rear ashtray left/right (L), 4 x roof-mounted grab handles (M), 2 x rear vanity mirrors (N), overhead control panel (W)		●						4,845	5,620.20
Short wheelbase (W 220)	HWA 220 680 36 71		●	●				5,340	6,194.40
Long wheelbase (V 220)	HWA 220 680 37 71								
S 600 L	HWA 220 680 38 71	●						5,340	6,194.40
Installation			●	●				6,140	7,122.40
Installation								315	365.40
Trim set for armrests, 4-piece									
Armrests in front and rear doors (O), fully veneered with optimised form	HWA 220 810 10 54	●						1,835	2,128.60
Installation with part-leather trim			●					2,365	2,743.40
Installation without part-leather trim								250	290.00
Installation without part-leather trim								305	353.80

		Standard wood	Special wood	Carbon, black	Alcantara	Leather	Other	List price ex factory, excl. VAT EUR	Retail price ex factory, incl. 16 % VAT EUR
INTERIOR									
Trim parts (continued)									
Trim set for rear door, 4-piece	HWA 220 730 00 48	●						1,015	1,177.40
Ashtray trim (L) (up to S 500)			●					1,340	1,554.40
Installation with part-leather trim								150	174.00
Installation without part-leather trim								190	220.40
Trim set for rear door, 2-piece	HWA 220 730 01 48	●						610	707.60
Trim for rear window switches (P) (for S 600 L only)			●					690	800.40
Installation with part-leather trim								150	174.00
Installation without part-leather trim								190	220.40
Trim set for interior, 2-piece	HWA 220 680 04 71	●						475	551.00
Lid for oddments compartment in front centre console (Q), end panel for rear of centre console (R)			●					610	707.60
Installation with part-leather trim								200	232.00
Installation without part-leather trim								250	290.00
Trim for interior monitoring (T)	HWA 220 680 03 17	●						255	295.80
Only in combination with code 882 (interior monitoring/tow-away protection)			●					340	394.40
Installation with roof liner								20	23.20
Installation without roof liner								35	40.60
Trim for rear seat adjustment unit, 2-piece	HWA 220 920 00 01	●						510	591.60
Cover left and right.			●					660	765.60
Only in combination with code 223 (rear backrest adjustment) and code 224 (individual rear seats)									
Installation with part-leather trim								20	23.20
Installation without part-leather trim								25	29.00
Trim set for rear armrest, with leather cover	HWA 220 680 13 71	●						1,475	1,711.00
Insert for rear armrest, upholstery, lid and base of oddments compartment inside rear armrest (V)			●					1,750	2,030.00
Installation with part-leather trim								50	58.00
Installation without part-leather trim								65	75.40
Handle in sunroof panel	HWA 220 780 00 92	●						185	214.60
AMG design (S)			●					215	249.40
Installation with leather-trimmed roof liner								20	23.20
Installation without leather-trimmed roof liner								25	29.00
Trim for refrigerated compartment in rear armrest	HWA 220 680 10 71	●						565	655.40
Upper and lower trim. Only in combination with code 308			●					700	812.00
Installation with part-leather trim								70	81.20
Installation without part-leather trim								95	110.20
Cover for PARKTRONIC display	HWA 220 680 06 17	●						285	330.60
1-piece, veneered (U)			●					330	382.80
Installation with leather-trimmed roof liner								20	23.20
Installation without leather-trimmed roof liner								35	40.60

● Available as an option on payment of additional installation and paint costs indicated
□ Standard

S-Class

		Standard wood	Special wood	Carbon, black	Alcantara	Leather	Other	List price ex factory, excl. VAT	Retail price ex factory, incl. 16 % VAT
								EUR	EUR
INTERIOR									
Trim parts (continued)									
Trim for rear vanity mirrors	HWA 220 820 00 01	●						240	278.40
2-piece (N)			●					340	394.40
Installation with leather-trimmed roof liner								50	58.00
Installation without leather-trimmed roof liner								70	81.20
Additional equipment									
Door sill panels with AMG logo, set of 4, all with blue illumination							●	990	1,148.40
Short wheelbase	B6 602 1022								
Long wheelbase	B6 602 1023								
Installation								300	348.00
Locking knobs on doors	HWA 140 760 01 41						●	35	40.60
In chrome with AMG logo (on each)									
Installation (per item)								35	40.60
Telephone console with loudspeakers	HWA 220 820 11 35					●		165	191.40
Leather/carpet combination to match interior appointments									
Business console in combination with video/DVD console leather-trimmed to match interior appointments	A 220 680 09 31						●	770	893.20
Pullman centre console in rear	A 220 840 01 31						●	9,245	10,724.20
2 work surfaces with fine wood inlay, only in combination with code 224									
Installation								280	324.80
Fold-down table, electric	A 220 810 xx xx	●						3,225	3,741.00
Fully trimmed in leather to match interior appointments, single-piece fine wood veneer table top. Dimensions w x d: 295 x 315 mm. Incl. installation			●					3,325	3,857.00
Curtains							●	950	1,102.00
Electrically controlled, for rear doors									
Short wheelbase	HWA 220 810 00 23								
Long wheelbase	HWA 220 810 01 23								
Installation								640	742.40
For rear window (only in combination with code 540)	HWA 220 810 02 23						●	780	904.80
Installation								925	1,073.00
Glass insert (4 champagne flutes in compt.; only for code 224)	HWA 220 840 02 43						●	780	904.80
Glass compartment (incl. glasses)							●	1,745	2,024.20
With code 223	HWA 220 840 00 43								
With code 224	HWA 220 840 01 43								
Vehicle documents wallet leather, to match interior appointments	A 215 899 01 61					●		120	139.20
Tarpaulin in silver with AMG logo							●	300	348.00
Short wheelbase	HWA 220 585 00 03								
Long wheelbase	HWA 220 585 01 03								
Pullman	HWA 220 585 02 03						●	320	371.20

		Standard wood	Special wood	Carbon, black	Alcantara	Leather	Other	List price ex factory, excl. VAT EUR	Retail price ex factory, incl. 16% VAT EUR
INTERIOR									
Gearshift levers/steering wheels									
Wood/leather or carbon/leather selector lever	A 215 267 00 10	●	●	●				335	388.60
In combination with code 889 (KEYLESS-GO). Leather to match interior appointments								510	591.60
Installation								20	23.20
Wood/leather or carbon/leather selector lever	A 215 267 02 10	●	●	●				225	261.00
Not in combination with code 889 (KEYLESS-GO). Leather to match interior appointments								410	475.60
Installation								20	23.20
Standard steering wheel leather-trimmed to match interior 1) 2)	HWA 220 460 06 03					●		370	429.20
Rim and impact absorber leather-trimmed									
Installation								50	58.00
Ergonomic Soft Touch sports steering wheel 2)	HWA 220 460 04 03					●		670	777.20
Rim and impact absorber leather-trimmed (single-tone or 2-tone). In combination with steering wheel gearshift function									
Installation								50	58.00
Ergonomic Soft Touch sports steering wheel 2)	HWA 220 460 05 03					●		670	777.20
Rim and impact absorber leather-trimmed (single-tone or 2-tone). Not in combination with steering wheel gearshift function									
Installation								50	58.00
Ergonomic wood or carbon/leather sports steering wheel 2)	HWA 220 460 01 03	●	●	●					expected to be available from 4th quarter/2003
Rim and impact absorber leather-trimmed. In combination with steering wheel gearshift function									
Installation								50	58.00
Ergonomic wood or carbon/leather sports steering wheel 2)	HWA 220 460 02 03	●	●	●					expected to be available from 4th quarter/2003
Rim and impact absorber leather-trimmed. Not in combination with steering wheel gearshift function									
Installation								50	58.00
Leather-trimmed airbag	A 215 460 01 98					●		1,130	1,310.80
To match interior appointments									

1) Steering wheel supplied

2) Not in combination with heated steering wheel (code 443). Not available for S 600 L

● Available as an option on payment of additional installation and paint costs indicated
□ Standard

MOBILE MEDIA SYSTEMS**Mobile office**

In-car PC with 15" monitor ¹⁾		●		
<ul style="list-style-type: none"> - In-car PC - 15" TFT monitor, electrically extended and retracted from front passenger seat - Audio/video controller for PC/TV/DVD option - USB port in interior - Radio keyboard - Not in combination with electric fold-down table or code 408, A 220 870 06 89 and A 220 870 00 89 - In combination with code 223 A 220 820 02 89 - In combination with code 224 A 220 820 03 89 			expected to be available from 4th quarter/2003	
Laptop integration with 15" monitor ¹⁾	A 220 820 04 89	●		
<ul style="list-style-type: none"> - Docking station for laptop (models on request) in boot - 15" TFT monitor, electrically extended and retracted from front passenger seat - Audio/video controller for PC/TV/DVD option - USB port in interior - Radio keyboard - Not in combination with electric fold-down table or code 408 			expected to be available from 4th quarter/2003	
15" TFT monitor ¹⁾	A 220 870 08 89	●	7,850	9,106.00
<ul style="list-style-type: none"> - Electrically extended and retracted from driver and/or front passenger seat - Audio/video controller for PC/TV/DVD option - Not in combination with code 407, 408 				
Installation			2,000	2,320.00
Car Communication Unit in rear centre armrest ²⁾	A 220 820 52 35	●	4,480	5,196.80
<ul style="list-style-type: none"> - Print, fax, scan, copy, telephone and send SMS - GSM modem with headset and hands-free function - LAN interface - No on-board networking 				
Installation			1,200	1,392.00
Aerial connection for mobile internet access in interior	HWA 220 820 00 75	●	560	649.60
<ul style="list-style-type: none"> - Aerial in bumper (dualband) - Aerial compenser - Connecting cable for PCMCIA modem 				
Installation			420	487.20
Nokia 6090 telephone in rear (incl. hands-free system)	HWA 220 820 03 35	●		
In combination with business console (A 220 680 09 31)		●	660	765.60
In combination with standard rear armrest ²⁾		●	900	1,044.00
Installation			735	852.60

MOBILE MEDIA SYSTEMS**Mobile office** (continued)

Telephone and fax in rear armrest ¹⁾ (incl. hands-free system)	A 220 970 00 01	●	3,700	4,292.00
– Special armrest console for fax and telephone				
– Nokia 6090 telephone (no on-board networking)				
– Possio PM 70 mobile fax				
– Deactivated when lid closed				
Installation			1,680	1,948.80

Entertainment

Single DVD player with folding console		●	3,690	4,280.40
– DVD player in console between the rear seats				
– Can be connected to code 527, 861 or A 220 870 08 89				
– Only in combination with code 860				
– In combination with code 223				
	A 220 870 06 89			
– In combination with code 224				
	A 220 870 00 89			
Installation			800	928.00
Rear Seat Entertainment ¹⁾		●	8,300	9,628.00
– 6.5" screens behind head restraints				
– 6-DVD changer (code-free) in boot				
– Only in combination with codes 803 and 860				
– External video port (games console, etc.)				
– Headphones recommended				
– Without electric fold-down table				
	A 220 827 47 42			
– In combination with one electric fold-down table				
	A 220 827 48 42			
– In combination with two electric fold-down tables				
	A 220 827 49 42			
Installation			1,600	1,856.00
Rear Seat Entertainment		●	3,800	4,408.00
– 6.5" screens behind head restraints				
– Only in combination with codes 804 and 860				
– External video port (games console, etc.)				
– Headphones recommended				
– Without electric fold-down table				
	A 220 870 12 89			
– In combination with one electric fold-down table				
	A 220 870 13 89			
– In combination with two electric fold-down tables				
	A 220 870 14 89			
Installation			1,120	1,299.20
DVD changer ²⁾	HWA 220 820 52 89	●	2,460	2,853.60
– 6-DVD changer (code-free) in boot				
– Can be connected to code 527, 861 or A 220 870 08 89, A 220 870 12 89, A 220 870 13 89, A 220 870 14 89				
– Only in combination with code 860				
Installation			840	974.40
Headphone package	HWA 220 820 28 89	●	300	348.00
– Two Sennheiser Noise Guard headphones				
Jump-start system	A 220 820 21 97	●	1,800	2,088.00
– Auxiliary battery in boot above main battery				
– Button below steering column				
Installation			1,120	1,299.20

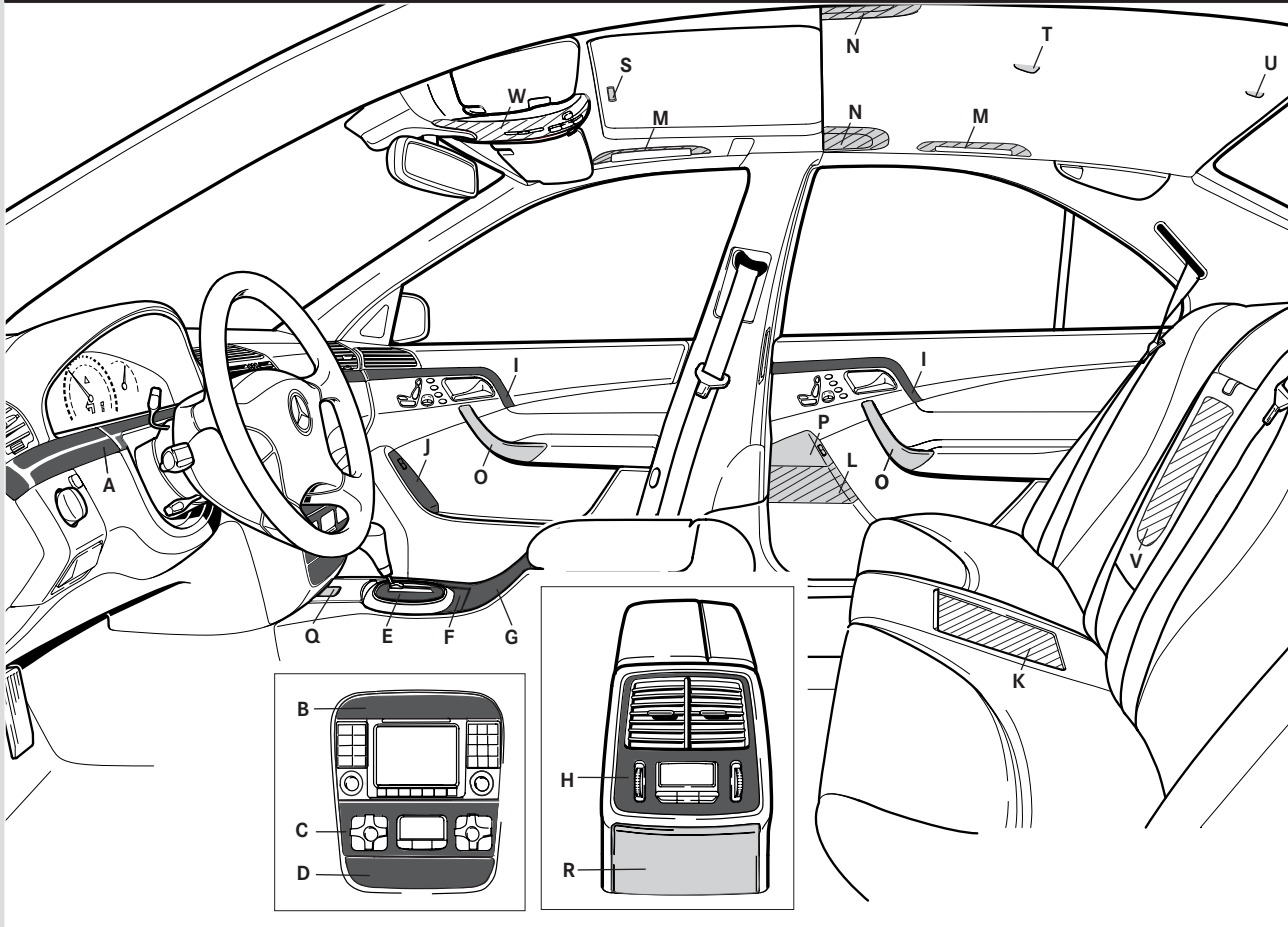
1) Available for special-protection vehicles on request

● Available as an option on payment of additional installation and paint costs indicated

2) Not available for special-protection vehicles

□ Standard

TRIM PARTS



- Standard
- Extra
- V12

AMG Manufaktur:

Prices for the M-Class

M-Class

	ML 270 CDI	ML 400 CDI	ML 350	ML 500	ML 55 AMG	List price ex factory, excl. VAT EUR	Retail price ex factory, incl. 16 % VAT EUR
TECHNOLOGY/EXTERIOR							
AMG instrument cluster With 260-km/h speedometer scale (ECE version) Installation	A 163 540 78 11		●	●	□	430	498.80
AMG light-alloy wheels For details of permissible wheel/tyre combinations, see the AMG accessories or Mercedes-Benz light-alloy wheels brochure						on request	on request
Tyres Installation	●	●	●	●	●	on request	on Request
						105	121.80

M-Class

		Standard wood	Special wood	Carbon, black	Alcantara	Leather	Other	List price ex factory, excl. VAT EUR	Retail price ex factory, incl. 16% VAT EUR
INTERIOR									
Leather trim/carpeting									
Part-leather trim	HWA 163 983 00 84					●		7,600	8,816.00
Seat upholstery, central door panels, head restraints, with or without embossed AMG logo on head restraints									
Additional charge in combination with code 847 (3rd seat row with side-facing seats)	HWA 163 930 00 01					●		2,445	2,836.20
Lower seat trim ¹⁾	HWA 163 910 00 39					●		1,290	1,496.40
Backrests, lower seat trim									
Additional charge in combination with code 887 (safe box)	HWA 163 840 00 02					●		280	324.80
Lower dashboard and centre console ¹⁾	HWA 163 680 00 90					●		7,415	8,601.40
Glove compartment, steering column, upper and lower centre console, shift gate surround, armrest, lower B-pillar, door panels									
Additional charge in combination with codes 852, 853, 854	HWA 163 780 00 05					●		175	203.00
Pillar trim and roof liner in anthracite Alcantara ²⁾	HWA 163 690 00 25				●			3,700	4,292.00
Trim for A/C/D-pillars, upper B-pillars, roof liner, sun visors, roof-mounted grab handles									
Additional charge in combination with code 414 (tilting/sliding sunroof)	HWA 163 780 00 05					●		380	440.80
Additional charge in combination with code 417 (louvre sunroof)	HWA 163 780 01 05					●		380	440.80
Upper dashboard ¹⁾	HWA 163 680 01 90					●		1,735	2,012.60
Interior mirror in leather (excl. base)	HWA 129 810 00 17					●		425	493.00
Luggage compartment to match interior appointments	HWA 163 680 00 49					●		2,700	3,132.00
Tailgate trim, cover for 3rd brake light in leather, leather-trimmed tailgate window frame, side panelling of luggage compartment									
Additional charge in combination with code 669 (collapsible tyre), painted cover and leather-trimmed ruffled pocket	HWA 163 690 00 53					●		520	603.20
Additional charge in combination with code 847 (3rd seat row with side-facing seats)	HWA 163 930 02 01					●		190	220.40
Carpet colour-coordinated ¹⁾	HWA 163 680 00 03						●	2,700	3,132.00
Special colours on request									
Floor mats with AMG logo and leather edging, set of 4, colours on request	HWA 163 680 04 48						●	320	371.20

1) Price in combination with part-leather trim
2) Further colours available on request

● Available as an option on payment of additional installation and paint costs indicated
□ Standard

M-Class

		Standard wood	Special wood	Carbon, black	Alcantara	Leather	Other	List price ex factory, excl. VAT EUR	Retail price ex factory, incl. 16 % VAT EUR
INTERIOR									
Trim parts									
Trim set	HWA 163 680 01 71	●	●	●				1,580	1,832.80
As Mercedes-Benz standard:								2,190	2,540.40
cover for centre dome (A), ashtray trim in centre console (B), cover for centre console (C), cover for shift gate (only standard in ML 400, ML 500 and ML 55 AMG) (D), trim for interior door controls (E), trim for rear window switches (F)				1)				2,940	3,410.40
Installation								150	174.00
Shift gate cover (D)	HWA 163 267 00 88	●	●					160	185.60
Automatic transmission			●					210	243.60
Installation without lower dashboard and centre console								35	40.60
Shift gate surround (G)	HWA 163 683 02 08	●	●					215	249.40
(For models from June 2002)			●					235	272.60
Installation without lower dashboard and centre console								35	40.60
Lid for centre console (H)	HWA 163 680 01 78	●	●					590	684.40
(For models from June 2002)			●					635	736.60
Installation without lower dashboard and centre console								35	40.60
Cup holder on dashboard (I)	HWA 163 680 03 14	●	●					600	696.00
(For models from June 2002)			●					645	748.20
Installation without lower dashboard and centre console								255	295.80
Cup holder (J) and ashtray (K) in rear	HWA 163 680 02 14	●	●					375	435.00
			●					405	469.80
Installation without lower dashboard and centre console								130	150.80
Roof-mounted grab handles, set of 4	HWA 163 810 02 51	●	●					1,015	1,177.40
Grab handles, front and rear			●					1,120	1,299.20
Installation without pillar trim, roof liner								65	75.40
Roof-mounted grab handles, folding seat	HWA 163 810 03 51	●	●					520	603.20
Only in combination with code 847 (3rd seat row with side-facing, folding individual seats)			●					590	684.40
Installation, roof liner								20	23.20
Sunroof panel	HWA 163 780 00 40	●	●					555	643.80
			●					605	701.80
Installation without pillar trim, roof liner								65	75.40
Additional equipment									
Door sill panels with AMG logo, Set of 4, 2 with blue illumination	HWA 163 680 01 35						●	495	574.20
Installation								420	487.20

		Standard wood	Special wood	Carbon, black	Alcantara	Leather	Other	List price ex factory, excl. VAT EUR	Retail price ex factory, incl. 16 % VAT EUR
INTERIOR									
Additional equipment (continued)									
Telephone console without loudspeakers									
Complete console leather-trimmed to match interior appointments	HWA 163 820 05 82					●		180	208.80
Plastic	HWA 163 820 04 82						●	120	139.20
Wood/leather version, leather to match interior appointments	HWA 163 820 06 82	●	●					330 350	382.80 406.00
Vehicle documents wallet leather, to match interior appointments	A 215 899 01 61					●		120	139.20
Tarpaulin in silver with AMG logo	HWA 163 585 00 03						●	320	371.20
Gearshift levers/steering wheels									
Leather selector lever leather-trimmed to match interior	HWA 129 260 00 40					●		95	110.20
Single-tone									
Installation								20	23.20
Wood selector lever	HWA 210 260 01 40	●	●					130 195	150.80 226.20
Installation								20	23.20
Wood selector lever with AMG logo	HWA 210 260 02 40	●	●					165 215	191.40 249.40
Installation								20	23.20
Wood selector lever (round contour)	HWA 170 260 00 40	●	●					200 240	232.00 278.40
With AMG badge									
Installation								20	23.20
Wood/leather or carbon/leather selector lever (Mercedes-Benz version), leather to match interior appointments	HWA 129 260 06 40	●	●	●				215 310	249.40 359.60
Installation								20	23.20
Wood/leather selector lever	HWA 170 267 00 10	●	●					270 300	313.20 348.00
AMG design									
Installation								20	23.20
Wood/carbon selector lever with gold badge (750 GG)	HWA 210 260 03 40	●	●	●				845 895	980.20 1,038.20
Incl. individual engraving									
Installation								20	23.20
Ergonomic sports steering wheel ¹⁾	HWA 163 460 01 03					●		625	725.00
Rim and impact absorber leather-trimmed, black, single-tone or 2-tone									
Installation								50	58.00
Ergonomic wood/leather sports steering wheel ¹⁾	HWA 163 460 03 03	●	●					1,250 1,355	1,450.00 1,571.80
Rim and impact absorber leather-trimmed									
Installation								50	58.00

1) Airbag: standard, black

● Available as an option on payment of additional installation and paint costs indicated
□ Standard

MOBILE MEDIA SYSTEMS**Mobile office**

Aerial connection for mobile internet access in interior	HWA 163 820 00 75	●	560	649.60
<ul style="list-style-type: none"> - Aerial in bumper (dualband) - Aerial compenser - Connecting cable for PCMCIA modem 				
Installation			420	487.20

Entertainment

Rear Seat Entertainment with screens in head restraints	HWA 163 820 03 89	●	8,950	10,382.00
<ul style="list-style-type: none"> - 6.5" screens in head restraints - 6-DVD changer below front passenger seat - Retrofit TV for COMAND system ¹⁾ - Option of playback via COMAND system or headphone connection in rear - Omission of safe box (code 887), no teletext - Headphones recommended - Only in combination with code 352 - External video port (games console, etc.) 				
Installation			1,280	1,484.80
Rear Seat Entertainment with rear screen on centre console	A 163 820 48 89	●	4,980	5,776.80
<ul style="list-style-type: none"> - 6.5" screen on centre console - 6-DVD changer below front passenger seat - Retrofit TV for COMAND system ¹⁾ - Option of playback via COMAND system or headphone connection on rear display - Omission of safe box (code 887) - Headphones recommended - For models from 08/02 and code 352 - External video port (games console, etc.) 				
Installation			980	1,136.80
DVD changer	HWA 163 820 02 89	●	1,940	2,250.40
<ul style="list-style-type: none"> - 6-DVD changer below front passenger seat - Played on COMAND screen (code 352) - Omission of safe box (code 887) - Only in combination with code 352 and HWA 163 820 00 89 				
Installation			280	324.80
Rear screen on centre console	A 163 820 51 89	●	1,740	2,018.40
<ul style="list-style-type: none"> - 6.5" screen on centre console - For models from 08/02 with code 352 and HWA 163 820 00 89 - Headphones recommended - External video port (games console, etc.) 				
Installation			320	371.20

M-Class

Mobile
media
systemsList price
ex factory,
excl. VATRetail price
ex factory,
incl. 16 % VAT

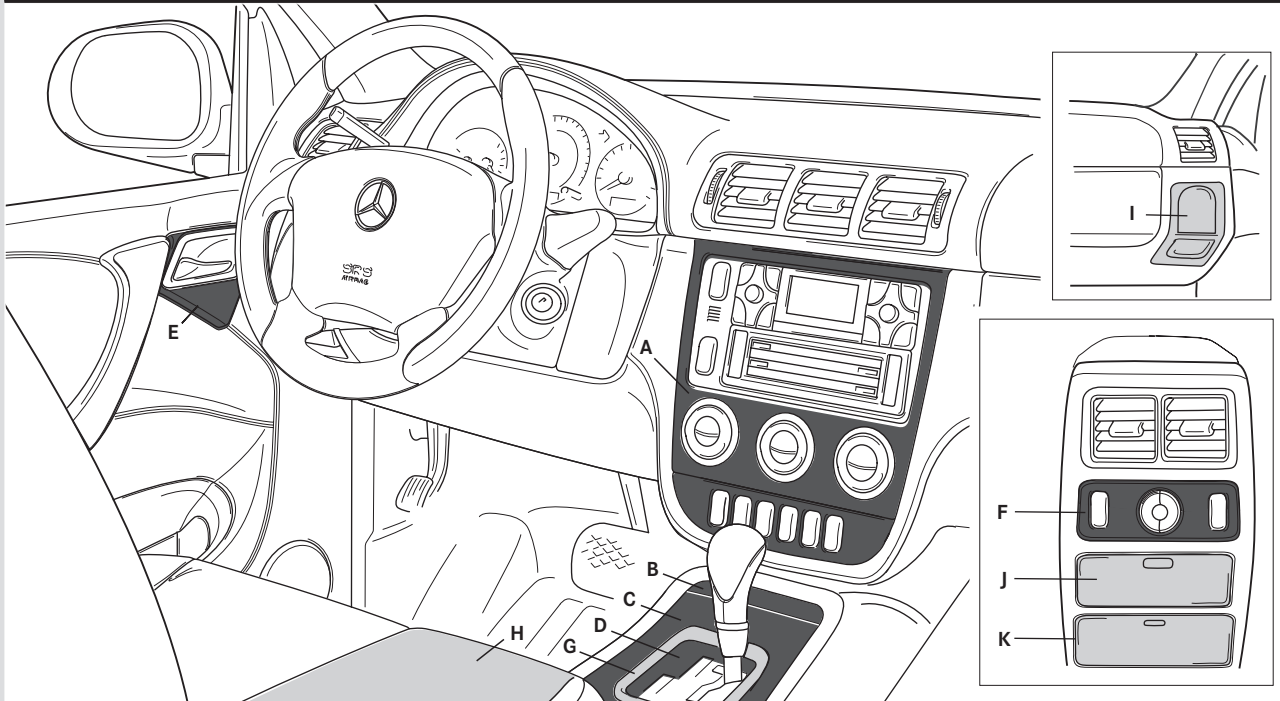
EUR

EUR

MOBILE MEDIA SYSTEMS**Entertainment** (continued)

Retrofit TV for COMAND system	HWA 163 820 00 89	●	1,690	1,960.40
- TV tuner for analogue TV reception				
- Omission of safe box (code 887)				
- Requires code 352				
Installation			840	974.40
LINGUATRONIC voice control system	A 163 820 52 89	●	445	516.20
- Operation/function as for S-Class				
- Only in combination with code 352 and 852, 853, 854				
Installation			400	464.00
Headphone package	HWA 220 820 28 89	●	300	348.00
- Two Sennheiser Noise Guard headphones				

TRIM PARTS



■ Standard
■ Extra

AMG Manufaktur:

Prices for the CLK-Class

CLK-Class Coupés

		CLK 270 CDI	CLK 200 KOMPRESSOR	CLK 200 CDI	CLK 240	CLK 320	CLK 500	CLK 55 AMG	List price ex factory, excl. VAT	Retail price ex factory, incl. 16 % VAT
									EUR	EUR
TECHNOLOGY/EXTERIOR										
AMG instrument cluster	A 209 540 77 11		●	●	●	●	●	□	650	754.00
With 320-km/h speedometer scale (ECE version)										
Installation									140	162.40
Vmax.	VMAXBR209							●	1,475	1,711.00
Top speed raised to 280 km/h, incl. TÜV approval ¹⁾ .										
Permissible tyre sizes and tyre models on request										
Manual shift program	HWA 209 260 xx xx							●	1,145	1,328.20
Modified transmission management unit with hold function										
Differential lock ^{2) 3)}	A 209 350 14 14							●	2,655	3,079.80
Multiple-disc limited-slip differential (30%)										
Installation									250	290.00
Rear silencer	HWA 209 490 01 01							● ●	2,500	2,900.00
Oval, 4-pipe. Only in combination with AMG bodystyling (omission of spare wheel)										
Installation									720	835.20
AMG Nürburgring sports suspension	A 209 320 00 30							● ●	980	1,136.80
Incl. springs and shock absorbers										
Installation and alignment, incl. level adjustment									490	568.40
AMG light-alloy wheels									on request	on request
For details of permissible wheel/tyre combinations, see the AMG accessories or Mercedes-Benz light-alloy wheels brochure										
Tyres		●	●	●	●	●	●	●	on request	on request
Installation									105	121.80

1) Must comply with national homologation.
Not for models with code 461

2) Code 477 (tyre pressure loss warning system) deactivated where fitted

3) Manual shift program recommended

● Available as an option on payment of additional installation and paint costs indicated
□ Standard

CLK-Class Coupés

	Standard wood	Special wood	Carbon, black	Alcantara	Leather	Other	List price ex factory, excl. VAT EUR	Retail price ex factory, incl. 16 % VAT EUR
INTERIOR								
Leather trim/carpeting								
Part-leather trim					●		6,040	7,006.40
Seats (upholstery and head restraints), back of front seats incl. ruffled pockets, with or without AMG badge in silver Standard design ¹⁾ AMG design ²⁾	HWA 209 910 00 01 HWA 209 910 01 01							
Conversion to AMG sports seats	HWA 209 910 02 01				●		on request	on request
Lower seat trim ³⁾ Driver/front passenger seat	HWA 209 910 00 39			●	●		500	580.00
Oddments tray in rear ³⁾ Also compatible with code 810	HWA 209 840 00 74			●	●		290	336.40
Lower dashboard Incl. centre console, armrest, rear vent trim, ashtray lid, shiftgate surround and assembly cover on outer dashboard Left-hand drive Right-hand drive	HWA 209 680 02 87 HWA 209 680 03 87				●		1,910	2,215.60
Front door trim, rear side trim (Excl. central door panels)	HWA 209 720 01 70				●		2,580	2,992.80
Central door panels, central rear side trim panels Leather-trimmed	HWA 209 720 00 70				●		990	1,148.40
Parcel shelf leather-trimmed, only in comb. with code 540 + 810	HWA 209 690 00 49				●		715	829.40
Roof liner ⁴⁾ in anthracite Alcantara Incl. A and C-pillar trim and sun visors	HWA 209 690 00 50			●			2,440	2,830.40
Interior mirror leather-trimmed	HWA 209 810 00 17				●		400	464.00
Roof-mounted grab handles leather-trimmed	HWA 209 810 00 46				●		465	539.40
Plastic parts colour-coordinated	A 209 680 20 07					●	740	858.40
Carpet colour-coordinated ³⁾ Special colours on request	HWA 209 680 00 03					●	1,780	2,064.80
Floor mats with AMG logo and leather edging , set of 4, colours on request	HWA 209 680 00 48					●	300	348.00
Trim parts								
Trim set As Mercedes-Benz standard: cover for upper centre console (A), ashtray lid (B), cover for lower centre console (C), front door trim strips (D), trim for window switches left/right (E). Handle for glove compartment also included Installation	HWA 209 680 00 71	●	●	●			1,290 2,895 3,765	1,496.40 3,358.20 4,367.40
							310	359.60

1) Not for CLK 55 AMG

2) For CLK 55 AMG only

3) Price in combination with part-leather trim

4) Further colours available on request

● Available as an option on payment of additional installation and paint costs indicated
□ Standard

CLK-Class Coupés

		Standard wood	Special wood	Carbon, black	Alcantara	Leather	Other	List price ex factory, excl. VAT	Retail price ex factory, incl. 16 % VAT
								EUR	EUR
INTERIOR									
Trim parts (continued)									
Trim set, 6-piece	HWA 209 720 00 22	●	●	●				2,675	3,103.00
Door handle for driver's door left/right (F), trim for seat adjustment unit left/right (G), panel (ventilation adjustment dials) on dashboard (H), armrest button on centre console (I)									
Installation								200	232.00
Additional equipment									
Door sill panels with AMG logo, Set of 2, with blue illumination	B6 602 10 26						●	605	701.80
Installation								420	487.20
Telephone console without loudspeakers									
Complete console leather-trimmed	HWA 209 820 01 82					●		125	145.00
Plastic	HWA 209 820 00 82						●	80	92.80
Vehicle documents wallet leather, to match interior appointments	A 215 899 01 61					●		120	139.20
Tarpaulin in silver with AMG logo	HWA 209 585 00 03						●	300	348.00
Gearshift levers/steering wheels									
Leather selector lever	HWA 209 267 01 10					●		270	313.20
In combination with code 889 (KEYLESS-GO)									
Installation								20	23.20
Leather selector lever	HWA 209 267 00 10					●		240	278.40
Not in combination with code 889 (KEYLESS-GO)									
Installation								20	23.20
All-wood selector lever	HWA 230 267 08 10	●	●					490	568.40
In combination with code 889 (KEYLESS-GO)									
Installation								20	23.20
All-wood selector lever	HWA 230 267 07 10	●	●					490	568.40
Not in combination with code 889 (KEYLESS-GO)									
Installation								20	23.20
Standard steering wheel leather-trimmed to match interior ^{1) 2)}	HWA 220 460 06 03					●		370	429.20
Rim and impact absorber leather-trimmed									
Installation								50	58.00
Ergonomic Soft Touch sports steering wheel ²⁾	A 209 460 15 03					●		670	777.20
Rim and impact absorber leather-trimmed (single-tone or 2-tone). In combination with steering wheel gearshift function									
Installation								50	58.00

1) Steering wheel supplied

2) Not in combination with heated steering wheel (code 443)

● Available as an option on payment of additional installation and paint costs indicated

□ Standard

CLK-Class Coupés

Mobile
media
systems

List price
ex factory,
excl. VAT

Retail price
ex factory,
incl. 16 % VAT

EUR

EUR

MOBILE MEDIA SYSTEMS

Mobile office

Aerial connection for mobile internet access in interior	HWA 209 820 00 75	●	560	649.60
<ul style="list-style-type: none"> - Aerial in bumper (dualband) - Aerial compenser - Connecting cable for PCMCIA modem 				
Installation			420	487.20

CLK-Class Cabriolets

		CLK 200 KOMPRESSOR	CLK 240	CLK 320	CLK 500	CLK 55 AMG	List price ex factory, excl. VAT	Retail price ex factory, incl. 16 % VAT
							EUR	EUR
TECHNOLOGY/EXTERIOR								
AMG instrument cluster	A 209 540 77 11	●	●	●	●	□	595	690.20
With 320-km/h speedometer scale (ECE version)								
Installation							140	162.40
Vmax.	VMAXBR209					●	1,475	1,711.00
Top speed raised to 280 km/h, incl. TÜV approval ¹⁾ .								
Permissible tyre sizes and tyre models on request								
Manual shift program	HWA 209 260 xx xx					●	1,145	1,328.20
Modified transmission management unit with hold function								
Differential lock ^{2) 3)}	A 209 350 14 14					●	2,655	3,079.80
Multiple-disc limited-slip differential (30%)								
Installation							250	290.00
AMG light-alloy wheels							on request	on request
For details of permissible wheel/tyre combinations, see the AMG accessories or Mercedes-Benz light-alloy wheels brochure								
Tyres		●	●	●	●	●	on request	on request
Installation							105	121.80

1) Must comply with national homologation from chassis no. ...T009490. Not for models with code 461
 2) Code 477 (tyre pressure loss warning system) deactivated where fitted
 3) Manual shift program recommended

● Available as an option on payment of additional installation and paint costs indicated
 □ Standard

CLK-Class Cabriolets

		Standard wood	Special wood	Carbon, black	Alcantara	Leather	Other	List price ex factory, excl. VAT EUR	Retail price ex factory, incl. 16% VAT EUR
INTERIOR									
Leather trim/carpeting									
Part-leather trim						●		6,040	7,006.40
Seats (upholstery and head restraints), back of front seats incl. ruffled pockets, with or without AMG badge in silver Standard design ¹⁾ AMG design ²⁾	HWA 209 910 03 01 HWA 209 910 04 01								
Conversion to AMG sports seats	HWA 209 910 05 01					●		on request	on request
Lower seat trim ³⁾	HWA 209 910 00 39				●	●		500	580.00
Driver/front passenger seat									
Oddments tray in rear ³⁾	HWA 209 840 00 74				●	●		290	336.40
Also compatible with code 810									
Lower dashboard						●		1,910	2,215.60
Incl. centre console, armrest, rear vent trim, rear centre ashtray lid, shiftgate surround and assembly cover on outer dashboard Left-hand drive Right-hand drive	HWA 209 680 02 87 HWA 209 680 03 87								
Front door trim, rear side trim	HWA 209 720 02 70					●		2,580	2,992.80
(Excl. central door panels)									
Central door panels, central rear side trim panels	A 209 720 99 70					●		990	1,148.40
Leather-trimmed									
A-pillar in anthracite Alcantara ⁴⁾	HWA 209 690 00 25				●			930	1,078.80
A-pillar, upper cowl panel, roof frame and sun visor trim in Alcantara									
Interior mirror leather-trimmed	HWA 209 810 00 17					●		400	464.00
Carpet colour-coordinated ³⁾	HWA 209 680 03 03						●	1,780	2,064.80
Special colours on request									
Floor mats with AMG logo and leather edging, set of 4, colours on request	HWA 209 680 00 48						●	300	348.00
Trim parts									
Trim set	HWA 209 680 01 71	●						1,290	1,496.40
As Mercedes-Benz standard: cover for upper centre console (A), ashtray lid (B), cover for lower centre console (C), front door trim strips (D), panels for window switches left/right (E), trim strip for rear side panels. Handle for glove compartment also included			●	●				2,895	3,358.20
Installation								3,765	4,367.40
								460	533.60

1) Not for CLK 55 AMG

2) For CLK 55 AMG only

3) Price in combination with part-leather trim

4) Further colours available on request

● Available as an option on payment of additional installation and paint costs indicated
□ Standard

CLK-Class Cabriolets

		Standard wood	Special wood	Carbon, black	Alcantara	Leather	Other	List price ex factory, excl. VAT	Retail price ex factory, incl. 16 % VAT
								EUR	EUR
INTERIOR									
Trim parts (continued)									
Trim set, 6-piece	HWA 209 720 00 22	●	●	●				2,675	3,103.00
Door handle on driver's door left/right (F), trim for seat adjustment unit left/right (G), panel (ventilation adjustment dials) on dashboard (H), armrest button on centre console (I)									
Installation								200	232.00
Additional equipment									
Door sill panels with AMG logo, set of 2, with blue illumination	B6 602 10 26						●	605	701.80
Installation								420	487.20
Telephone console without loudspeakers									
Complete console leather-trimmed	HWA 209 820 01 82					●		125	145.00
Plastic	HWA 209 820 00 82						●	80	92.80
Vehicle documents wallet leather, to match interior appointments	A 215 899 01 61					●		120	139.20
Tarpaulin in silver with AMG logo	HWA 209 585 00 03						●	300	348.00
Gearshift levers/steering wheels									
Leather selector lever	HWA 209 267 01 10					●		270	313.20
In combination with code 889 (KEYLESS-GO)									
Installation								20	23.20
Leather selector lever	HWA 209 267 00 10					●		240	278.40
Not in combination with code 889 (KEYLESS-GO)									
Installation								20	23.20
All-wood selector lever	HWA 230 267 08 10	●	●					490	568.40
In combination with code 889 (KEYLESS-GO)									
Installation								20	23.20
All-wood selector lever	HWA 230 267 07 10	●	●					490	568.40
Not in combination with code 889 (KEYLESS-GO)									
Installation								20	23.20
Standard steering wheel leather-trimmed to match interior ^{1) 2)}	HWA 220 460 06 03					●		370	429.20
Rim and impact absorber leather-trimmed									
Installation								50	58.00
Ergonomic Soft Touch sports steering wheel ²⁾	A 209 460 15 03					●		670	777.20
Rim and impact absorber leather-trimmed (single-tone or 2-tone). In combination with steering wheel gearshift function									
Installation								50	58.00

1) Steering wheel supplied

2) Not in combination with heated steering wheel (code 443)

● Available as an option on payment of additional installation and paint costs indicated

□ Standard

CLK-Class Cabriolets

Mobile
media
systems

List price
ex factory,
excl. VAT

Retail price
ex factory,
incl. 16 % VAT

EUR

EUR

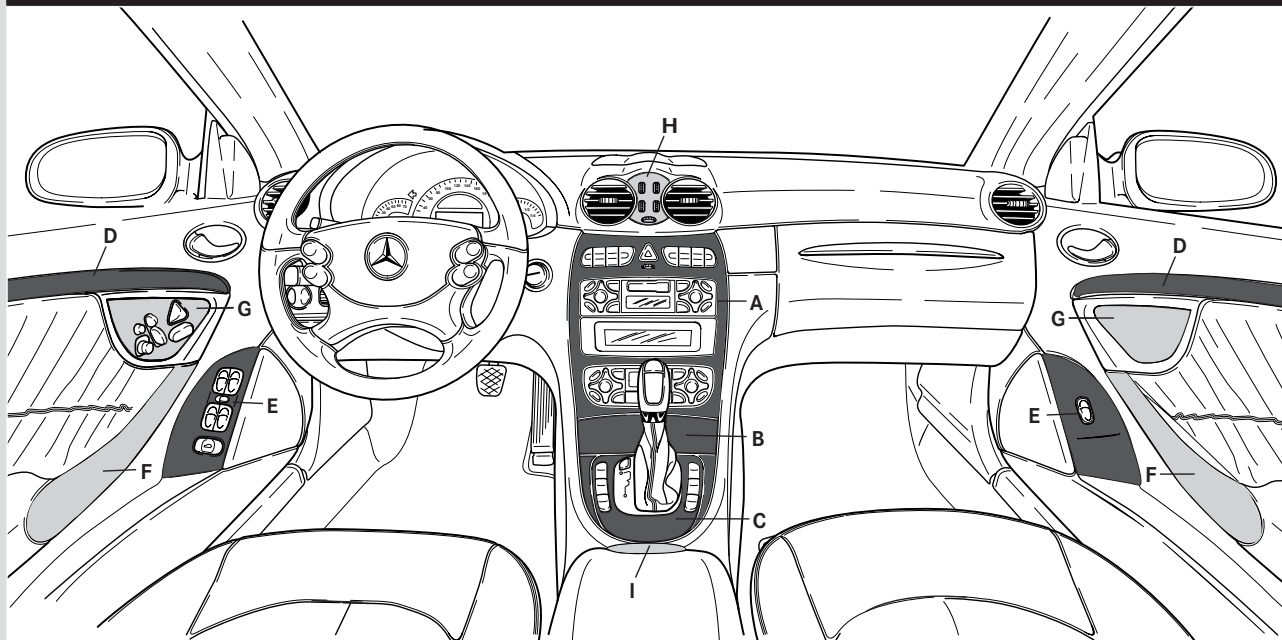
MOBILE MEDIA SYSTEMS

Mobile office

Aerial connection for mobile internet access in interior	HWA 209 820 00 75	●	560	649.60
<ul style="list-style-type: none"> - Aerial in bumper (dualband) - Aerial compenser - Connecting cable for PCMCIA modem 				
Installation			420	487.20
Hands-free microphone for open-top driving	HWA 230 820 00 35	●	95	110.20
<ul style="list-style-type: none"> - Optimised for wind noise Only in combination with code 852, 853, 854, 855 				
Installation			40	46.40

CLK-Class Coupés and Cabriolets

TRIM PARTS



■ Standard
■ Extra

AMG Manufaktur:

Prices for the CL-Class

CL-Class	CL 500	CL 600 1)	CL 55 AMG	List price ex factory, excl. VAT EUR	Retail price ex factory, incl. 16 % VAT EUR
TECHNOLOGY/EXTERIOR					
Vmax. Top speed raised to 300 km/h, incl. TÜV approval 2). Permissible tyre sizes and tyre models on request	VMAXC215		●	2,150	2,494.00
Manual shift program Modified transmission management unit with hold function	HWA 215 260 xx xx		●	1,145	1,328.20
AMG Nürburgring sports suspension Spring struts at FA/RA, ABC suspension Installation and alignment, incl. level adjustment	A 215 320 00 30	●	●	3,370	3,909.20
			□	600	696.00
AMG light-alloy wheels, Style III FA: 8.5 J x 19 ET 34 RA: 9.5 J x 19 ET 31 TÜV-associated modifications Additional charge for vehicles with code 475 (tyre pressure monitoring)	A 215 400 04 02 A 215 400 05 02	●	●	2,800	3,248.00
		●	●	4,100	4,756.00
		●	●	490	568.40
AMG light-alloy wheels, Style IV, multi-piece FA: 8.5 J x 19 ET 30 RA: 9.5 J x 19 ET 31 TÜV-associated modifications Additional charge for vehicles with code 475 (tyre pressure monitoring)	B6 603 13 60 B6 603 13 61	●	●	4,570	5,301.20
		●	●	4,100	4,756.00
		●	●	490	568.40
AMG light-alloy wheels For details of other wheel/tyre combinations, see the AMG accessories or Mercedes-Benz light-alloy wheels brochure				on request	on request
Tyres Installation		●	●	on request	on request
				105	121.80

		Standard wood	Special wood	Carbon, black	Stone	Leather	Other	List price ex factory, excl. VAT EUR	Retail price ex factory, incl. 16% VAT EUR
INTERIOR									
Leather trim/carpeting									
Part-leather trim						●		5,990	6,948.40
Seat cushions of driver and front passenger seat, backrests of driver and front passenger seat incl. backrest adjustment feature and ruffled pocket, rear seat cushions, left and right, rear backrests, front and rear head restraints individually leather-trimmed, with or without AMG badge in silver									
Standard design ¹⁾	HWA 215 983 00 84								
AMG design (for models from October 2003) ²⁾	HWA 215 983 01 84								
Additional charge in combination with code 401 (luxury front seats heated and ventilated)	HWA 215 910 00 46					●		55	63.80
Rear armrest leather-trimmed ³⁾	A 215 970 13 30					●		390	452.40
Stowage box between rear seats, leather-trimmed ³⁾	A 215 840 14 74					●		265	307.40
Lower seat trim in leather ³⁾	A 215 910 08 39					●		290	336.40
Driver and front passenger seat									
Sports seats	A 215 910 00 02					●		6,580	7,632.80
Upholstered seat cushions of driver and front passenger seat, upholstered backrests of driver and front passenger seat, central seat panels in coloured leather, rear backrest, front and rear head restraints, with or without embroidered AMG logo (for models up to and including September 2002, not in combination with code 803)									
Roof liner in anthracite Alcantara	A 215 690 12 50						●	3,750	4,350.00
Incl. A and C-pillars, sun visors in Alcantara, trim for sunroof liner, roof-mounted grab handles in leather/Alcantara, belt outlets in C-pillars in Alcantara									
Roof liner in Alcantara, colours on request	A 215 690 12 501						●	3,850	4,466.00
Dashboard						●		4,040	4,686.40
Upper and lower sections leather-trimmed, glove compartment									
Left-hand drive	HWA 215 680 04 87								
Right-hand drive	HWA 215 680 05 87								
Parcel shelf leather-trimmed	HWA 215 690 00 49					●		805	933.80
Centre console	HWA 215 680 01 50					●		870	1,009.20
Incl. armrest									
Interior mirror in leather	HWA 129 810 00 17					●		425	493.00

1) Not for CL 55 AMG
2) For CL 55 AMG only
3) Price in combination with part-leather trim

● Available as an option on payment of additional installation and paint costs indicated
□ Standard

		Standard wood	Special wood	Carbon, black	Stone	Leather	Other	List price ex factory, excl. VAT	Retail price ex factory, incl. 16 % VAT
								EUR	EUR
INTERIOR									
Leather trim/carpeting (continued)									
Door trim and rear side trim	HWA 215 690 02 25					●		1,500	1,740.00
Map pockets and lower rear sides in leather, loudspeaker grilles painted									
Window sills	A 215 680 00 90					●		2,490	2,888.40
Door handles	A 215 730 00 50					●		390	452.40
Central door panels	A 215 730 00 51					●		1,250	1,450.00
Carpet colour-coordinated ¹⁾	A 215 680 00 03						●	1,980	2,296.80
Special colours on request									
Floor mats with AMG logo and leather edging, set of 4, colours on request	HWA 215 680 04 48						●	320	371.20
Additional equipment									
Door sill panels with AMG logo, set of 2, with blue illumination	B6 602 10 24						●	605	701.80
Installation								280	324.80
Locking knobs on doors	HWA 140 760 01 41						●	35	40.60
In chrome with AMG logo (on each)									
Installation (per item)								35	40.60
Vehicle documents wallet leather, to match interior appointments	A 215 899 01 61					●		120	139.20
Tarpaulin in silver with AMG logo	HWA 215 585 00 03						●	300	348.00
Trim parts									
Trim set (for models from October 2003)	HWA 215 680 06 71	●						1,360	1,577.60
As Mercedes-Benz standard:			●					4,750	5,510.00
centre console parts (A), shift gate (B), trim for seat adjustment unit				●				5,745	6,664.20
left/right (C), door trim strips front/rear (D), trim for window switches (E), retractable cover in rear (F)					●			6,335	7,348.60
Installation								315	365.40
Trim set (CL 600) (for models from October 2003)	HWA 215 680 07 71	●						1,895	2,198.20
As Mercedes-Benz standard:			●					6,880	7,980.80
centre console parts (A), shift gate (B), trim for seat adjustment unit				●				7,840	9,094.40
left/right (C), door trim strips front/rear (D), trim for window switches (E), retractable cover in rear (F), rear vent in centre console (G), overhead control panel trim (H)					●			8,980	10,416.80
Installation								475	551.00
Belt outlet trim, C-pillar, veneered	HWA 215 680 05 71	●						720	835.20
Trim ring left and right (O)			●					825	957.00
Installation								70	81.20
Trim set for interior, 3-piece	HWA 215 680 02 71	●						1,400	1,624.00
Lid for stowage compartment in centre console (I), rocker switch (J), lid for armrest (K)			●					1,910	2,215.60
Installation								250	290.00

		Standard wood	Special wood	Carbon, black	Stone	Leather	Other	List price ex factory, excl. VAT EUR	Retail price ex factory, incl. 16 % VAT EUR
INTERIOR									
Additional equipment (continued)									
Door trim set I, 4-piece	A 215 680 01 71	●						2,905	3,369.80
Grab handles for driver/front passenger door and rear grab handles (L)			●					3,185	3,694.60
Installation								250	290.00
Door trim set II, 4-piece	HWA 215 680 04 71	●						2,150	2,494.00
Trim strips on map pocket (M) and rear side panels (N)			●					2,855	3,311.80
Installation								190	220.40
Gearshift levers/steering wheels									
Wood/leather or carbon/leather selector lever	A 215 267 00 10	●	●					335	388.60
In combination with code 889 (KEYLESS-GO). Leather to match interior appointments				●	●			510	591.60
Installation								20	23.20
Wood/leather or carbon/leather selector lever	A 215 267 02 10	●	●					225	261.00
Not in combination with code 889 (KEYLESS-GO). Leather to match interior appointments				●	●			410	475.60
Installation								20	23.20
Standard steering wheel leather-trimmed to match interior^{1) 2)}	HWA 220 460 06 03					●		370	429.20
Rim and impact absorber leather-trimmed									
Installation								50	58.00
Ergonomic Soft Touch sports steering wheel²⁾	HWA 220 460 04 03					●		670	777.20
Rim and impact absorber leather-trimmed (single-tone or 2-tone). In combination with steering wheel gearshift function									
Installation								50	58.00
Ergonomic Soft Touch sports steering wheel²⁾	HWA 220 460 05 03					●		670	777.20
Rim and impact absorber leather-trimmed (single-tone or 2-tone). Not in combination with steering wheel gearshift function									
Installation								50	58.00
Ergonomic wood or carbon/leather sports steering wheel²⁾	HWA 220 460 01 03	●	●	●				expected to be available from 4th quarter/2003	
Rim and impact absorber leather-trimmed. In combination with steering wheel gearshift function									
Installation								50	58.00
Ergonomic wood or carbon/leather sports steering wheel²⁾	HWA 220 460 02 03	●	●	●				expected to be available from 4th quarter/2003	
Rim and impact absorber leather-trimmed. Not in combination with steering wheel gearshift function									
Installation								50	58.00
Leather-trimmed airbag	A 215 460 01 98					●		1,130	1,310.80
To match interior appointments									

1) Steering wheel supplied

2) Not in combination with heated steering wheel
(code 443). Not for CL 600● Available as an option on payment of additional installation and paint costs indicated
□ Standard

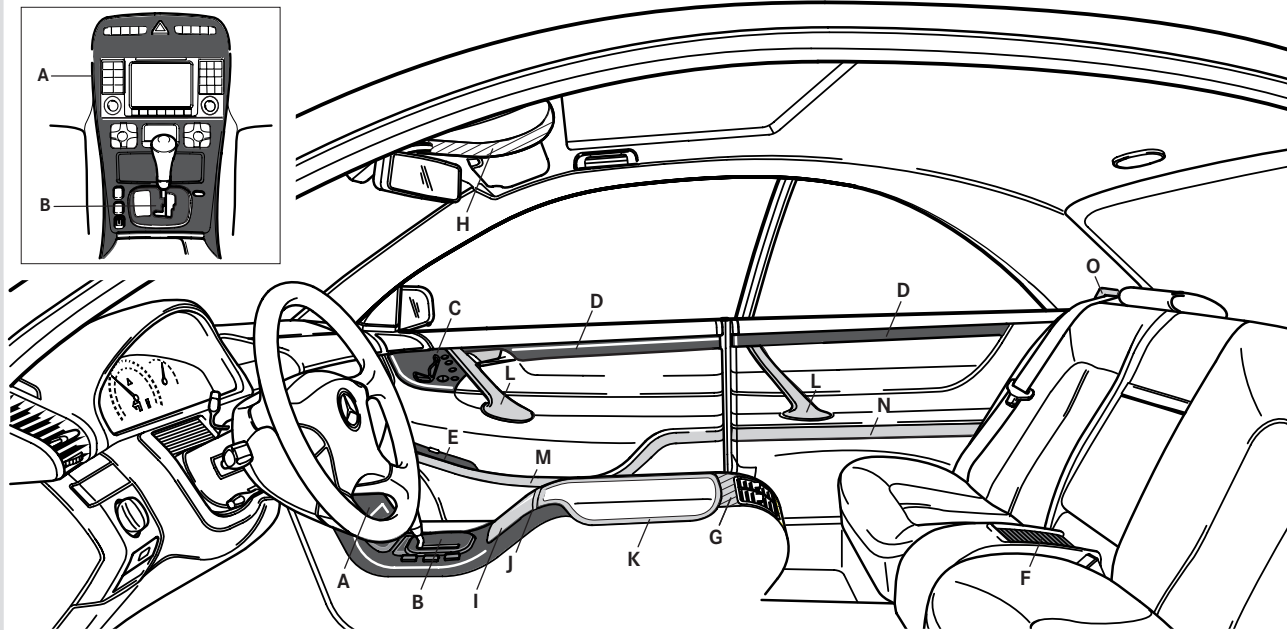
MOBILE MEDIA SYSTEMS**Mobile office**

Aerial connection for mobile internet access in interior - Aerial in bumper (dualband) - Aerial compenser - Connecting cable for PCMCIA modem Installation	HWA 220 820 00 75	●	560	649.60
Car Communication Unit in rear centre armrest - Print, fax, scan, copy, telephone and send SMS - GSM modem with headset and hands-free function - LAN interface - No on-board networking Installation	A 220 820 52 35	●	4,480	5,196.80
Telephone and fax in rear armrest (incl. hands-free system) - Special armrest console for fax and telephone - Nokia 6090 telephone (no on-board networking) - Possio PM 70 mobile fax - Safety deactivation when lid closed Installation	A 220 970 00 01	●	3,700	4,292.00
Nokia 6090 telephone in rear (incl. hands-free system) - In standard rear armrest Installation	HWA 220 820 03 35	●	900	1,044.00
			735	852.60

Entertainment

Rear Seat Entertainment with rear screen on centre console - 6.5" screen on centre console - Only in combination with code 527, 860, 804 - Headphones recommended - External video port (games console, etc.) Installation	A 215 820 22 89	●	1,995	2,314.20
DVD changer (for up to 6 DVDs) - 6-DVD changer (code-free) in boot - With connection to COMAND system - Only in combination with code 527, 860 or A 215 820 22 89 Installation	HWA 220 820 52 89	●	2,460	2,853.60
Headphone package - Two Sennheiser Noise Guard headphones	HWA 220 820 28 89	●	300	348.00

TRIM PARTS



-  Standard
-  Extra
-  V 12

AMG Manufaktur:

Prices for the SLK-Class

SLK-Class

		SLK 200 KOMPRESSOR	SLK 230 KOMPRESSOR	SLK 320	SLK 32 AMG	List price ex factory, excl. VAT EUR	Retail price ex factory, incl. 16 % VAT EUR
TECHNOLOGY/EXTERIOR							
AMG instrument cluster	A 170 540 49 11	●	●	●	□	505	585.80
With 300-km/h speedometer scale (ECE version)							
Installation						140	162.40
Vmax.	VMAXR170				●	1,475	1,711.00
Top speed raised to 280 km/h, incl. TÜV approval ¹⁾ .							
Permissible tyre sizes and tyre models on request							
Manual shift program	HWA 170 260 xx xx				●	1,245	1,444.20
Modified transmission management unit with hold function							
AMG Nürburgring sports suspension	HWA 170 320 00 30				●	700	812.00
Incl. springs and shock absorbers							
Installation and alignment, incl. level adjustment						490	568.40
AMG light-alloy wheels, Style I, multi-piece		●	●	●	●	3,950	4,582.00
FA: 8.5 J x 18 ET 25	B6 603 1003						
RA: 10 J x 18 ET 25	B6 603 1004						
TÜV-associated modifications		●	●	●	●	1,800	2,088.00
AMG light-alloy wheels, Style IV, multi-piece		●	●	●	●	4,510	5,231.60
FA: 8.5 J x 18 ET 30	B6 603 1362						
RA: 9.5 J x 18 ET 18	B6 603 1363						
TÜV-associated modifications		●	●	●	●	1,800	2,088.00
AMG light-alloy wheels							
For details of other wheel/tyre combinations, see the AMG accessories or Mercedes-Benz light-alloy wheels brochure						on request	on request
Tyres		●	●	●	●	on request	on request
Installation						105	121.80

SLK-Class

		Standard wood	Special wood	Carbon, black	Leather	Other	List price ex factory, excl. VAT EUR	Retail price ex factory, incl. 16% VAT EUR
INTERIOR								
Leather trim/carpeting								
Part-leather trim	HWA 170 900 01 10				●		2,855	3,311.80
Seats, head restraints, central door panels (incl. sidebags), door handles with armrests and back of seats leather-trimmed, with or without embossed AMG logo. Only in combination with code 873 (heated seats)								
SLK 32 AMG seats	A 170 983 00 84				●		2,710	3,143.60
Driver and front passenger seat, SLK 32 AMG only								
Door trim	A 170 720 00 51				●		750	870.00
Door trim as for part-leather trim (central door panels and armrests). Only in combination with SLK 32 AMG seats								
Lower dashboard and centre console ¹⁾	HWA 170 680 01 90				●		2,995	3,474.20
Incl. entire hand brake, retractable covers of stowage box and hand brake, centre console lid, steering column trim, glove compartment cover with lock								
Additional charge in combination with code 312 or 278 (mobile phone on right of dome)								
Additional charge in combination with code 441 (manually adjustable steering column)								
Upper dashboard and door panel frame sections ¹⁾	HWA 170 680 02 90				●		2,430	2,818.80
Incl. door pockets and airbag cover								
Seat trim ¹⁾	HWA 170 910 01 18				●		460	533.60
Lower section of seat leather-trimmed								
A-pillar, upper cowl panel and sun visors ¹⁾	HWA 170 690 01 25				●		895	1,038.20
Rear area ¹⁾	HWA 170 690 01 41				●		1,170	1,357.20
Belt outlets, trim for roll-over bars, soft top compartment cover, central ruffled pocket								
Leather-trimmed roll-over bars ¹⁾	HWA 170 860 01 32				●		555	643.80
Roof liner in Alcantara or leather ¹⁾	HWA 170 690 01 50				●		1,000	1,160.00
Frame parts painted, other parts, incl. C-pillars, leather-trimmed								
Carpet colour-coordinated ²⁾	HWA 170 680 01 03					●	1,420	1,647.20
Passenger compartment, special colours on request. Only in combination with part-leather trim								
Floor mats with AMG logo and leather edging, set of 2, colours on request	HWA 170 680 01 48					●	210	243.60

1) Prices only apply in combination with part-leather trim.
Where this is not present, other prices will apply

2) Price in combination with part-leather trim

● Available as an option on payment of additional installation and paint costs indicated
□ Standard

		Standard wood	Special wood	Carbon, black	Leather	Other	List price ex factory, excl. VAT	Retail price ex factory, incl. 16 % VAT
							EUR	EUR
INTERIOR								
Trim parts								
Trim set (for models from January 2000)	A 170 680 00 71	●					2,350	2,726.00
As Mercedes-Benz standard (6-piece):			●				2,690	3,120.40
dome part (A), ashtray lid (B), stowage compartment frame (C),				●			3,335	3,868.60
lower cover (D), door trim, 2-piece (E)				1)				
Installation without part-leather trim							485	562.60
Installation with part-leather trim							415	481.40
Shiftgate (F) ²⁾	HWA 170 680 00 36	●					150	174.00
For automatic transmission			●				165	191.40
				●			185	214.60
Paint finish for standard trim parts	A 170 680 00 71 xx xx					●	970	1,125.20
Includes paint finish for all standard trim parts						1)		
with brand symbols printed in contrasting colour,								
chrome retained								
Installation without part-leather trim							195	226.20
Installation with part-leather trim							75	87.00
Lid for armrest (G)	HWA 170 680 00 78	●					445	516.20
			●				505	585.80
				●			645	748.20
Installation without lower dashboard and centre console							30	34.80
Switch panel in centre console (H)	HWA 170 683 00 08	●					115	133.40
Panel for soft top and mirror switches			●				135	156.60
				●			165	191.40
Installation without lower dashboard and centre console							65	75.40
Hand brake lever (I)	HWA 170 427 00 20	●					175	203.00
			●				200	232.00
				●			250	290.00
Installation without lower dashboard and centre console							20	23.20
Installation with lower dashboard and centre console							30	34.80

SLK-Class

	Standard wood	Special wood	Carbon, black	Leather	Other	List price ex factory, excl. VAT EUR	Retail price ex factory, incl. 16% VAT EUR
INTERIOR							
Additional equipment							
SLK luggage set							
Made-to-measure luggage set for the SLK-Class, made from anthracite-coloured leather (to match SLK-Class interior). Designed to make optimum use of space available in boot with roof open							
Basic set, 3-piece				●		1,420	1,647.20
2 suitcases (60 x 40 x 15 cm), 1 suit carrier (90 x 65 x 6 cm)							
Additional set, 2-piece				●		700	812.00
Cosmetics bag (38 x 24 x 14/6 cm), shoe bag (38 x 24 x 14/6 cm). Only in combination with 3-piece basic set							
Shirt carrier (51 x 34 x 4 cm)				●		220	255.20
Only in combination with 3-piece basic set and Mercedes-Benz code 669 (spare wheel)							
Telephone console							
Complete console in plastic					●	85	98.60
Complete console in leather, to match interior appointments				●		130	150.80
Vehicle documents wallet leather, to match interior appointments				●		120	139.20
Tarpaulin in silver with AMG logo					●	280	324.80
Gearshift levers/steering wheels							
Leather shift/selecter lever							
Manual transmission (with shiftgate surround)				●		195	226.20
Automatic transmission				●		135	156.60
Installation						20	23.20
Wood selector lever							
	●					130	150.80
Installation		●				195	226.20
						20	23.20
Wood selector lever with AMG logo							
	●					165	191.40
Installation		●				215	249.40
						20	23.20
Wood selector lever (round contour)							
	●					200	232.00
With AMG badge		●				240	278.40
Installation						20	23.20
Wood/leather or carbon/leather selector lever							
(Mercedes-Benz version), leather to match interior appointments	●		●			215	249.40
Installation			●			310	359.60
						20	23.20
Wood/leather or carbon/leather selector lever							
AMG design with logo	●					270	313.20
Installation		●				300	348.00
			●			350	406.00
						20	23.20

● Available as an option on payment of additional installation and paint costs indicated
 □ Standard

SLK-Class

		Standard wood	Special wood	Carbon, black	Leather	Other	List price ex factory, excl. VAT EUR	Retail price ex factory, incl. 16 % VAT EUR
INTERIOR								
Gearshift levers/steering wheels (continued)								
Wood/leather or carbon/leather selector lever AMG design with badge as desired	HWA 170 267 01 10	●	●	●			370	429.20
Installation							20	23.20
Wood/carbon selector lever with gold badge (750 GG) Incl. individual engraving	HWA 210 260 03 40	●	●	●			845 895 975	980.20 1,038.20 1,131.00
Installation							20	23.20
Standard steering wheel leather-trimmed to match interior ¹⁾ Rim and impact absorber leather-trimmed	HWA 170 464 01 03				●		415	481.40
Ergonomic sports steering wheel (380 mm) SLK 32 AMG								
Rim leather-trimmed in anthracite (single-tone)	A 202 460 00 03				●		385	446.60
Rim and impact absorber leather-trimmed (single-tone)	HWA 202 460 14 03				●		490	568.40
Rim leather-trimmed (2-tone)	HWA 202 460 17 03				●		420	487.20
Rim and impact absorber leather-trimmed (2-tone)	HWA 202 460 18 03				●		525	609.00
Installation for ergonomic sports steering wheels							50	58.00
AMG airbag (R170 design) with logo, painted to match interior appointments. Only in combination with ergonomic sports steering wheels listed above	HWA 170 460 05 98					●	720	835.20
SLK-Class standard airbag (for models from January 2000) Painted to match interior. Only in combination with standard steering wheel	A 170 460 29 98					●	810	939.60

SLK-Class

Mobile
media
systems

List price
ex factory,
excl. VAT

Retail price
ex factory,
incl. 16 % VAT

EUR

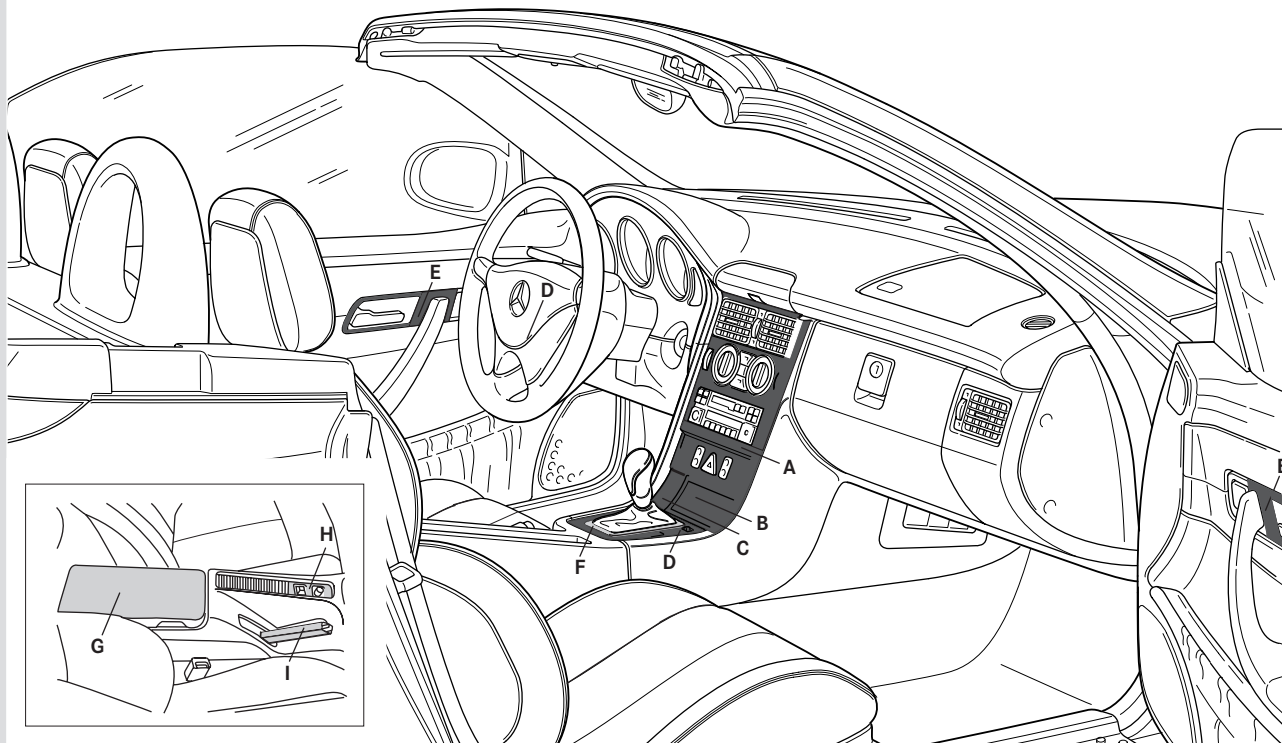
EUR

MOBILE MEDIA SYSTEMS

Mobile office

Hands-free microphone for open-top driving	HWA 230 820 00 35	●	95	110.20
- Optimised for wind noise Only in combination with code 852, 853, 854				
Installation			40	46.40
CD changer	HWA 170 820 01 89	●	545	632.20
- 6-CD changer in boot, right, connection to Audio 10/30				
Installation			560	649.60

TRIM PARTS



- Standard
- Extra

AMG Manufaktur:

Prices for the SL-Class

SL-Class

		SL 350	SL 500	SL 600	SL 55 AMG	List price ex factory, excl. VAT EUR	Retail price ex factory, incl. 16 % VAT EUR
TECHNOLOGY/EXTERIOR							
Performance package for SL 55 AMG							
Complete package, comprising: "Safety Car" front apron painted in vehicle colour, additional engine oil cooler, AMG Nürburgring sports suspension, based on Active Body Control (ABC), boosted braking system with steel composite brake disc, 380 mm at FA, AMG 19" light-alloy wheels, Style IV, multi-piece (FA: 8.5 x 19 ET 25 with 255/35 R 19; RA 10 x 19 ET 28 with 285/30 R 19), top speed raised to 300 km/h incl. TÜV approval ¹⁾							
Package 1 (complete)	HWA 230 600 12 00				●	21,050	24,418.00
Installation						1,750	2,030.00
Package 2 (vehicle already has Vmax.)	HWA 230 600 13 00				●	18,900	21,924.00
Installation						1,750	2,030.00
Package 3 (vehicle already has AMG 19" light-alloy wheels)	HWA 230 600 14 00				●	14,800	17,168.00
Installation						1,400	1,624.00
Package 4 (vehicle already has AMG 19" light-alloy wheels and Vmax.)	HWA 230 600 15 00				●	12,700	14,732.00
Installation						1,400	1,624.00
Vmax.	VMAXR230				●	2,150	2,494.00
Top speed raised to 300 km/h, incl. TÜV approval ¹⁾ . Permissible tyre sizes and tyre models on request							
Manual shift program	A 230 540 xx xx				●	1,145	1,328.20
Modified transmission management unit with hold function							
Differential lock ^{2) 3)}	A 230 350 35 14				●	2,655	3,079.80
Multiple-disc limited-slip differential (30%)							
Installation						680	788.80
Brake system, boosted ⁴⁾	HWA 230 420 00 01			●	●	3,600	4,176.00
380-mm steel composite brake disc at FA							
Installation						160	185.60
AMG Nürburgring sports suspension	HWA 230 320 00 13			●	●	5,130	5,950.80
Spring struts at FA/RA, ABC							
Installation and alignment, incl. level adjustment						600	696.00
AMG light-alloy wheels						on request	on request
For details of permissible wheel/tyre combinations, see the AMG accessories or Mercedes-Benz light-alloy wheels brochure							
Tyres		●	●	●	●	on request	on request
Installation						105	121.80

1) Must comply with national homologation

2) Suitable for models up to 05/04

3) Manual shift program recommended

4) Only in combination with AMG 19" light-alloy wheels

● Available as an option on payment of additional installation and paint costs indicated

□ Standard

		Standard wood	Special wood	Carbon, black	Stone	Leather	Other	List price ex factory, excl. VAT EUR	Retail price ex factory, incl. 16 % VAT EUR
INTERIOR									
Leather trim/carpeting									
Part-leather trim									
Seats (upholstery and head restraints), back of front seats incl. ruffled pockets, with or without AMG badge in silver									
Standard design ¹⁾	HWA 230 910 01 01					●		1,960	2,273.60
AMG Design ²⁾	HWA 230 910 00 01					●		1,960	2,273.60
Lower seat trim in leather	HWA 230 910 00 39					●		710	823.60
Driver and front passenger seat									
Roof liner in Alcantara or leather	HWA 230 690 00 50					●		2,400	2,784.00
A-pillar trim, roof frame and sun visor trim, headlining trim, C-pillars and rear window frame									
Interior mirror leather-trimmed	HWA 129 810 00 17					●		425	493.00
Interior trim						●		11,840	13,734.40
Upper dashboard, lower dashboard on driver's side, glove compartment cover, transmission tunnel trim, left and right, stowage box in centre console for telephone, panels in rear, rear wall trim, lid between stowage boxes in rear, waist rail trim in rear, left and right, full leather door trim in a selection of leather colours									
Left-hand drive	HWA 230 983 00 84								
Right-hand drive	HWA 230 983 01 84								
USA version	HWA 230 983 02 84								
Full leather instrument cluster surround						●		280	324.80
Left-hand drive	HWA 230 680 00 23								
Right-hand drive	HWA 230 680 01 23								
Roll-over bar leather-trimmed	HWA 230 860 00 32					●		825	957.00
Parcel shelf with leather-trimmed side flaps	HWA 230 790 00 35					●		850	986.00
Leather-trimmed central door panels	HWA 230 730 00 51					●		335	388.60
Sidebag covers leather-trimmed									
Carpet colour-coordinated ³⁾	HWA 230 680 00 45						●	1,780	2,064.80
Special colours on request									
Floor mats with AMG logo and leather edging in front, set of 2, colours on request	HWA 230 680 00 48						●	220	255.20

1) Not for SL 55 AMG

2) For SL 55 AMG only

3) Price in combination with part-leather trim

● Available as an option on payment of additional installation and paint costs indicated

□ Standard

		Standard wood	Special wood	Carbon, black	Stone	Leather	Other	List price ex factory, excl. VAT	Retail price ex factory, incl. 16 % VAT
								EUR	EUR
INTERIOR									
Additional equipment									
Door sill panels with AMG logo Set of 2, with blue illumination Installation	B6 602 1021						●	650 180	754.00 208.80
Door sill panels with AMG logo and engraving Set of 2, with blue illumination Installation	HWA 230 680 01 35						●	890 180	1,032.40 208.80
Door sill panels with AMG logo and engraving Set of 2, with white illumination Installation	HWA 230 680 02 35						●	890 180	1,032.40 208.80
Locking knobs on doors In chrome with AMG logo (on each) Installation (per item)	HWA 140 760 01 41						●	35 35	40.60 40.60
Telephone console with loudspeakers Complete console leather-trimmed to match interior appointments	HWA 230 820 01 82					●		80	92.80
Vehicle documents wallet leather, to match interior appointments	A 215 899 01 61					●		120	139.20
Tarpaulin in silver with AMG logo	HWA 230 585 00 03						●	280	324.80
Trim parts									
Trim set As Mercedes-Benz standard: centre console cover (A), ashtray lid (B), door trim strips (C) Installation	A 230 680 00 71	●	●	●	●			1,110 1,540 2,205	1,287.60 1,786.40 2,557.80
Carbon trim set, in "Safety Car" design As Mercedes-Benz standard: coarse carbon Installation	A 230 680 02 71			●				2,205 180	2,557.80 208.80
Gearshift levers/steering wheels									
Wood/leather or carbon/leather selector lever Fine carbon version. Not in combination with code 889 (KEYLESS-GO) Installation	HWA 230 267 01 10	●	●	●				510 20	591.60 23.20
Wood/leather or carbon/leather selector lever Fine carbon version. In combination with code 889 (KEYLESS-GO) Installation	HWA 230 267 03 10	●	●	●				510 20	591.60 23.20

		Standard wood	Special wood	Carbon, black	Stone	Leather	Other	List price ex factory, excl. VAT EUR	Retail price ex factory, incl. 16 % VAT EUR
INTERIOR									
Gearshift levers/steering wheels (continued)									
Leather selector lever to match interior appointments Not in combination with code 889 (KEYLESS-GO)	HWA 230 267 00 10					●		280	324.80
Installation								20	23.20
Leather selector lever to match interior appointments In combination with code 889 (KEYLESS-GO)	HWA 230 267 02 10					●		280	324.80
Installation								20	23.20
Carbon/leather selector lever Coarse carbon, in "Safety Car" design. Not in combination with code 889 (KEYLESS-GO)	HWA 230 267 04 10			●				510	591.60
Installation								20	23.20
Carbon/leather selector lever Coarse carbon, in "Safety Car" design. In combination with code 889 (KEYLESS-GO)	HWA 230 267 05 10			●				510	591.60
Installation								20	23.20
All-wood selector lever In combination with code 889 (KEYLESS-GO)	HWA 230 267 08 10	●	●					490	568.40
Installation								20	23.20
All-wood selector lever Not in combination with code 889 (KEYLESS-GO)	HWA 230 267 07 10	●	●					490	568.40
Installation								20	23.20
Standard steering wheel leather-trimmed to match interior ^{1) 2)} Rim and impact absorber leather-trimmed	HWA 220 460 06 03					●		370	429.20
Installation								50	58.00
Ergonomic Soft Touch sports steering wheel ²⁾ Rim and impact absorber leather-trimmed (single-tone or 2-tone). In combination with steering wheel gearshift function in SL 55 AMG	HWA 230 460 01 03					●		670	777.20
Installation								50	58.00
Ergonomic Soft Touch sports steering wheel ²⁾ Rim and impact absorber leather-trimmed (single-tone or 2-tone). Without steering wheel gearshift function	HWA 230 460 00 03					●		670	777.20
Installation								50	58.00
Leather-trimmed airbag To match interior appointments	HWA 230 460 00 98					●		810	939.60

1) Steering wheel supplied

2) Not in combination with heated steering wheel (code 443)

● Available as an option on payment of additional installation and paint costs indicated

□ Standard

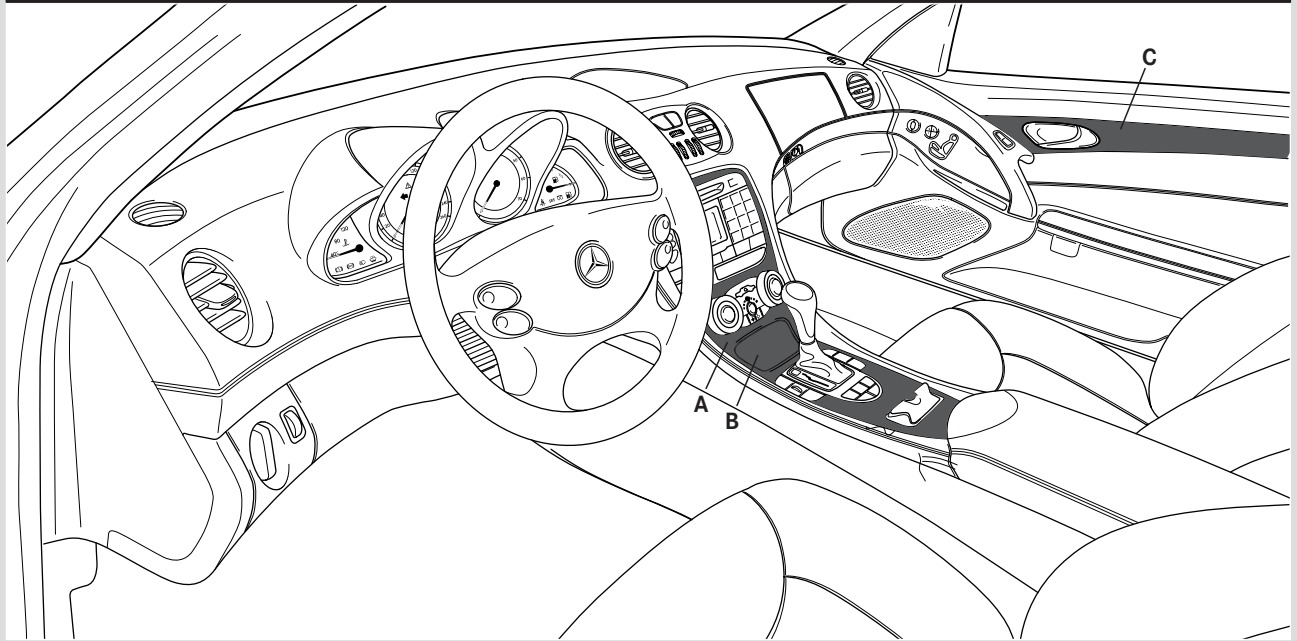
MOBILE MEDIA SYSTEMS**Mobile office**

Aerial connection for mobile internet access in interior	HWA 230 820 00 75	●	560	649.60
- Aerial in bumper (dualband)				
- Aerial compenser				
- Connecting cable for PCMCIA modem				
Installation			420	487.20
Hands-free microphone for open-top driving	HWA 230 820 00 35	●	95	110.20
- Optimised for wind noise				
- Only in combination with code 852, 853, 854, 855				
Installation			40	46.40

Entertainment

Audio system	HWA 230 820 20 02	●	7,550	8,758.00
- High-end sound system with COMAND connection				
- Digital linear 5-channel amplifier (>1000 Watt RMS)				
- Specially manufactured loudspeakers incl. woofer module				
- Vehicle-specific sound settings with automatic adjustment to open/closed roof				
- Only in combination with code 352				
Installation			2,400	2,784.00
DVD changer ¹⁾	HWA 230 820 00 89	●	2,300	2,668.00
- DVD changer with connection to COMAND system				
- Only in combination with code 860				
Installation			700	812.00

TRIM PARTS



Standard

AMG Manufaktur:

Prices for the G-Class

G-Class

		G 270 CDI short wheelbase	G 270 CDI long wheelbase	G 400 CDI Cabriolet/short	G 400 CDI long wheelbase	G 320 Cabriolet/short	G 320 long wheelbase	G 500 Cabriolet/short	G 500 long wheelbase	G 55 AMG	List price ex factory, excl. VAT	Retail price ex factory, incl. 16% VAT
											EUR	EUR
TECHNOLOGY/EXTERIOR												
G 55 XXL, 3430-mm wheelbase									●			
Small-series vehicle from Mercedes-AMG, 2 to 8-seater, exclusively with 5-litre engine (260 kW/354 hp), ex Affalterbach plant; equipment on request											on request	on request
G 55 technology package ¹⁾	HWA 463 600 xx xx							●			16,500	19,140.00
Via DaimlerChrysler plant (ZY03)												
Retrofit conversion based on G 500								●	●		18,950	21,982.00
260 kW (354 hp) at 5,500 rpm												
525 Nm at 3,000 rpm through conversion to 5-litre engine incl. exhaust gas system and instrument cluster												
AMG instrument cluster	A 463 540 30 11					●	●	●	●	□	430	498.80
With 260-km/h speedometer scale (ECE version)												
Installation											140	162.40
AMG light-alloy wheels											on request	on request
For details of permissible wheel/tyre combinations, see the AMG accessories or Mercedes-Benz light-alloy wheels brochure												
Tyres		●	●	●	●	●	●	●	●	●	on request	on request
Installation											105	121.80
Wheel arch flaring, black ²⁾	HWA 463 690 00 08	●	●	●	●	●	●	●	●		800	928.00
Installation											280	324.80
Corner protection in stainless steel for rear bumper	HWA 463 860 04 42	●	●	●	●	●	●	●	●	●	510	591.60
Installation											150	174.00
Protective grille (not for ECE)												
For front indicators	HWA 463 860 03 42	●	●	●	●	●	●	●	●	●	510	591.60
Installation											140	162.40
For tail lights	HWA 463 860 00 42	●	●	●	●	●	●	●	●	●	625	725.00
Installation											250	290.00
Trim for spare wheel cover	HWA 463 400 01 20	●	●	●	●	●	●	●	●	●	185	214.60
(For code RB9) with AMG logo												
Installation											25	29.00
Xenon main headlamps (not for ECE)	HWA 463 820 00 59	●	●	●	●	●	●	●	●		2,690	3,120.40
Only in combination with xenon main-beam headlamps												
Installation											400	464.00
Xenon main-beam headlamps in front of radiator grille	HWA 463 820 04 56	●	●	●	●	●	●	●	●	●	1,480	1,716.80
Paint finish (housing in vehicle colour)											110	127.60
Installation											495	574.20
Cable winch on front bumper	HWA 463 560 01 00	●	●	●	●	●	●	●	●	●	4,340	5,034.40
For 3.5 t tractive power, incl. remote control												
Installation											1,375	1,595.00

1) Only in combination with Mercedes-Benz code T84
 2) In combination with original tyres for ECE/Japan and generally with 285/55/R18 wheel arch flaring required

● Available as an option on payment of additional installation and paint costs indicated
 □ Standard

G-Class

		G 270 CDI short wheelbase	G 270 CDI long wheelbase	G 400 CDI Cabriolet/short	G 400 CDI long wheelbase	G 320 Cabriolet/short	G 320 long wheelbase	G 500 Cabriolet/short	G 500 long wheelbase	G 55 AMG	List price ex factory, excl. VAT	Retail price ex factory, incl. 16 % VAT
											EUR	EUR
TECHNOLOGY/EXTERIOR												
Stainless-steel pipe with underride guard	A 463 520 00 70	●	●	●	●	●	●	●	●	●	1,200	1,392.00
Below front bumper												
Installation											270	313.20
Stainless-steel with step, left/right ¹⁾	A 463 520 00 31	●	●	●	●	●	●	●	●	●	950	1,102.00
Below rear bumper												
Installation											270	313.20
Stainless-steel inlay for brush guard system, 10-piece	HWA 463 880 00 97		●		●		●		●	□	700	812.00
Installation											240	278.40
Glass tilting/sliding sunroof with code D27	HWA 463 780 02 05	●	●	●	●	●	●	●	●	●	2,995	3,474.20
Installation											2,765	3,207.40

1) Not in combination with rear corner protection

● Available as an option on payment of additional installation and paint costs indicated
□ Standard

		Standard wood	Special wood	Carbon, black	Leather	Other	List price ex factory, excl. VAT	Retail price ex factory, incl. 16 % VAT
							EUR	EUR
INTERIOR								
Leather trim/carpeting								
Part-leather trim								
Entire seats front and rear, entire head restraints, central door panels, ruffled pockets, back of rear seats, central door panel in rear door; AMG design, with or without AMG badge in silver								
Short wheelbase	A 463 983 00 84				●		5,615	6,513.40
Long wheelbase	A 463 983 01 84				●		6,130	7,110.80
Additional charge in combination with code S71 (side-facing bench seat, right)	HWA 463 930 00 05				●		1,170	1,357.20
Additional charge in combination with code S72 (side-facing bench seat, left)	HWA 463 930 05 05				●		1,170	1,357.20
Door pull handles leather-trimmed								
Short wheelbase	A 463 810 00 51				●		175	203.00
Long wheelbase	A 463 810 01 51				●		350	406.00
Main door trim (excl. central door panels) leather-trimmed								
Door trim incl. door pockets								
Short wheelbase	A 463 720 00 62				●		2,035	2,360.60
Long wheelbase	A 463 720 01 62				●		3,800	4,408.00
B-pillar trim with window frames								
B-pillars plus frame around windows fully leather-trimmed								
Short wheelbase	HWA 463 690 01 25				●		670	777.20
Long wheelbase	HWA 463 690 00 25				●		940	1,090.40
Luggage compartment trim								
Side walls plus C and D-pillars, rear door (excl. central door panel) plus rear window frame fully leather-trimmed								
Short wheelbase	A 463 690 12 40				●		4,290	4,976.40
Long wheelbase	A 463 690 13 40				●		2,450	2,842.00
Centre console ¹⁾								
Centre console with armrest	A 463 680 01 90				●		660	765.60
Dashboard fully leather-trimmed								
A 463 680 00 90 Upper and lower sections of dashboard, steering column, glove compartment cover, grab handle on front passenger side. Note: with light-coloured appointments, upper part must be executed in a darker, contrasting colour								

G-Class

		Standard wood	Special wood	Carbon, black	Leather	Other	List price ex factory, excl. VAT EUR	Retail price ex factory, incl. 16 % VAT EUR
INTERIOR								
Leather trim/carpeting (continued)								
Lower seat trim ¹⁾								
Lower parts of driver/front passenger seat and rear bench seat in leather					●		1,320	1,531.20
Short wheelbase	A 463 920 00 39							
Long wheelbase	A 463 920 01 39							
Roof liner in Alcantara or leather ^{1) 2)}								
Incl. A-pillars, grab handles, sun visors, end of roof frame, rear								
Short wheelbase	HWA 463 690 07 50				●		2,330	2,702.80
Long wheelbase	HWA 463 690 06 50				●		2,640	3,062.40
Additional charge in combination with code D27	HWA 463 780 00 05				●		505	585.80
Roof liner fittings in black ²⁾	HWA 463 690 04 50					●	180	208.80
Carpet colour-coordinated ¹⁾								
Entire interior. Only in combination with part-leather trim								
Short wheelbase	A 463 680 00 03					●	2,290	2,656.40
Long wheelbase	A 463 680 01 03					●	2,670	3,097.20
Floor mats with AMG logo and leather edging, colours on request								
Set of 5, short wheelbase	A 463 680 24 40					●	380	440.80
Set of 5, long wheelbase	A 463 680 23 40					●	400	464.00
Additional mat for load compartment	A 463 680 03 42					●	145	168.20
Trim parts								
Trim set								
As Mercedes-Benz standard (for models from July 2002): COMAND panel (A), ashtray trim (B), centre console cover (C), trim strip in front passenger grab handle (D), trim for seat adjustment unit left/right (E)	HWA 463 680 00 71	●	●	●			1,720	1,995.20
Installation							450	522.00
Trim set I for grab handles (for models from July 2001)								
Grab handles left and right, veneered (F)								
Short wheelbase (2-piece)	A 463 680 17 71	●	●	●			1,000	1,160.00
Installation ¹⁾							35	40.60
Long wheelbase (4-piece)	A 463 680 18 71	●	●	●			1,995	2,314.20
Installation ¹⁾							70	81.20

¹⁾ Price in combination with part-leather trim.
Special colours on request

²⁾ Other colours available on request

● Available as an option on payment of additional installation and paint costs indicated
□ Standard

		Standard wood	Special wood	Carbon, black	Leather	Other	List price ex factory, excl. VAT EUR	Retail price ex factory, incl. 16 % VAT EUR
INTERIOR								
Trim parts (continued)								
Trim set II (for models from July 2001)								
Short wheelbase (5-piece)	A 463 680 19 71	●					1,370	1,589.20
Door handle recesses (G), cover for front window switches, frame for rear door opener			●	●			1,580 1,760	1,832.80 2,041.60
Installation ¹⁾							70	81.20
Long wheelbase (11-piece)	A 463 680 20 71	●					2,405	2,789.80
Door handle recesses (G), trim for rear ashtrays in rear doors, cover for front window switches, cover for rear window switches, frame for rear door opener			●	●			2,770 3,050	3,213.20 3,538.00
Installation ¹⁾							210	243.60
Trim set III for dashboard (for models from July 2001)								
Fully veneered grab handle for front passenger, trim for hand brake lever (H), cover for glove compartment opener (I)	A 463 680 02 90	●	●	●			1,025 1,180 1,310	1,189.00 1,368.80 1,519.60
Installation							210	243.60
Reading lights in roof liner , veneered								
2-piece	HWA 463 820 00 01	●	●				320	371.20
Installation							120	139.20
Additional equipment								
Door sill panels with AMG logo,								
Set of 3, 2 with blue illumination	HWA 463 680 03 35					●	565	655.40
Installation							175	203.00
Set of 5, 4 with blue illumination	A 463 680 09 35					●	830	962.80
Installation							325	377.00
Individual rear seats ²⁾								
– Individual seats electrically adjustable – Multicontour function – Centre console with seat control unit – Armrest and stowage compartment	HWA 463 920 03 01					●	10,200	11,832.00
Installation							2,200	2,552.00
Air conditioning for rear								
– Auxiliary air conditioning system, integrated in centre console – Control panel and ventilation outlets in centre console – Only in combination with individual rear seats	HWA 463 830 00 60					●	4,600	5,336.00
Installation							2,100	2,436.00

		Standard wood	Special wood	Carbon, black	Leather	Other	List price ex factory, excl. VAT EUR	Retail price ex factory, incl. 16% VAT EUR
INTERIOR								
Additional equipment (continued)								
Curtains in black								
Only in combination with 3rd brake light								
Short wheelbase (set of 4)	HWA 463 810 00 23					●	530	614.80
Installation							1,000	1,160.00
Long wheelbase (set of 6)	HWA 463 810 01 23					●	715	829.40
Installation							1,500	1,740.00
Telephone console without loudspeakers								
Complete console leather-trimmed to match interior appointments								
	A 463 820 05 82				●		195	226.20
Wood/leather, carbon/leather								
	A 463 820 06 82	●	●	●			370	429.20
							390	452.40
							480	556.80
Vehicle documents wallet leather, to match interior appointments								
	A 215 899 01 61				●		120	139.20
Tarpaulin in silver with AMG logo								
For 2850-mm wheelbase	HWA 463 585 00 03					●	320	371.20
Gearshift levers/steering wheels								
Selector lever								
	HWA 463 260 00 40				●		200	232.00
Leather-trimmed to match interior appointments								
Installation							20	23.20
Wood/carbon selector lever								
With AMG logo	HWA 210 260 02 40	●	●				165	191.40
Installation							250	290.00
							20	23.20
Wood/carbon selector lever with gold badge (750 GG)								
Incl. individual engraving	HWA 210 260 03 40	●	●	●			845	980.20
Installation							975	1,131.00
							20	23.20
Wood selector lever (round contour)								
With AMG badge	HWA 170 260 00 40	●	●				200	232.00
Installation							300	348.00
							20	23.20
Wood/leather or carbon/leather selector lever								
AMG design with logo	HWA 170 267 00 10	●	●	●			270	313.20
Installation							350	406.00
							20	23.20
Wood/leather or carbon/leather selector lever								
AMG design with badge as desired	HWA 170 267 01 10	●	●	●			370	429.20
Installation							20	23.20

		Standard wood	Special wood	Carbon, black	Leather	Other	List price ex factory, excl. VAT EUR	Retail price ex factory, incl. 16 % VAT EUR
INTERIOR								
Gearshift levers/steering wheels (continued)								
Standard steering wheel leather-trimmed to match interior ^{1) 2)}	HWA 220 460 06 03				●		370	429.20
Rim and impact absorber leather-trimmed								
Installation							50	58.00
Ergonomic Soft Touch sports steering wheel ²⁾	HWA 463 460 00 03				●		670	777.20
Rim and impact absorber leather-trimmed, single-tone or 2-tone (for models from July 2002)								
Installation							50	58.00
Ergonomic wood or carbon/leather sports steering wheel ²⁾	A 211 460 64 03	●	●	●				expected to be available from 4th quarter/2003
Rim and impact absorber leather-trimmed. Not in combination with steering wheel gearshift function								
Installation							50	58.00
Leather-trimmed airbag To match interior appointments					●			expected to be available from 4th quarter/2003

MOBILE MEDIA SYSTEMS**Mobile office**

Aerial connection for mobile internet access in interior	HWA 463 820 00 75	●	560	649.60
<ul style="list-style-type: none"> - Aerial in bumper (dualband) - Aerial compenser - Connecting cable for PCMCIA modem 				
Installation			420	487.20
Hands-free microphone for open-top driving	HWA 230 820 00 35	●	95	110.20
<ul style="list-style-type: none"> - Optimised for wind noise Only in combination with code ET 2, J 45, EH 1, EV 8 				
Installation			40	46.40

Entertainment

Rear Seat Entertainment (short wheelbase)	A 463 820 22 89	●	7,250	8,410.00
<ul style="list-style-type: none"> - 6.5" screens in head restraints - 6-DVD changer (code-free) in luggage compartment, in console - Only in combination with code ET 4, EM 9 - External video port (games console, etc.) 				
Installation			3,200	3,712.00
Rear Seat Entertainment (long wheelbase) ¹⁾	A 463 820 23 89	●	7,660	8,885.60
<ul style="list-style-type: none"> - 6.5" screens in head restraints - 6-DVD changer (code-free) in luggage compartment, in console on left wheel arch (omission of code S72) - Only in combination with code ET 4, EM 9 - External video port (games console, etc.) 				
Installation			3,200	3,712.00
Rear Seat Entertainment (XXL)	A 463 820 24 89	●	7,250	8,410.00
<ul style="list-style-type: none"> - 6.5" screens in head restraints - 6-DVD changer (code-free) in luggage compartment, in console on left wheel arch (omission of code S72) - Only in combination with code ET 4, EM 9 - External video port (games console, etc.) 				
Installation			3,650	4,234.00

1) Available for special-protection vehicles on request

● Available as an option on payment of additional installation and paint costs indicated
□ Standard

G-Class

Mobile
media
systemsList price
ex factory,
excl. VATRetail price
ex factory,
incl. 16 % VAT

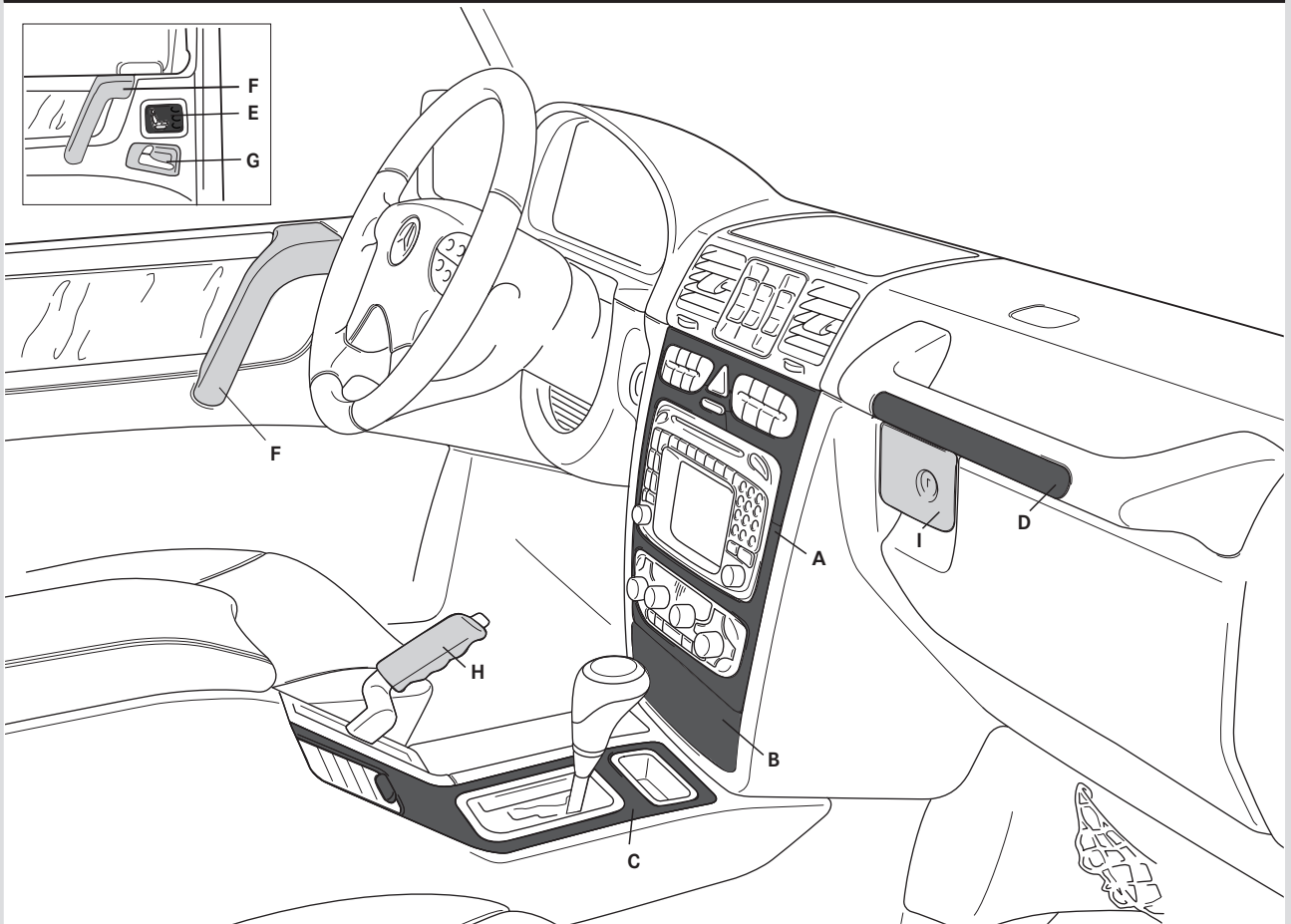
EUR

EUR

MOBILE MEDIA SYSTEMS**Entertainment** (continued)

Additional TV tuners				
- 2 additional TV tuners ¹⁾				
- No teletext				
- In combination with Rear Seat Entertainment system only				
- PAL (for most western European countries)	A 463 820 28 89	●	1,445	1,676.20
- NTSC (USA, Japan...)	A 463 820 27 89	●	2,085	2,418.60
- SECAM East (Russia...)	A 463 820 26 89	●	1,835	2,128.60
- SECAM West (France, Switzerland...)	A 463 820 25 89	●	1,885	2,186.60
Installation			400	464.00
TV system for Cabriolet	HWA 463 820 05 89	●	1,400	1,624.00
- TV tuner ¹⁾				
- Aerials				
- In combination with code ET 4 only				
Installation			1,280	1,484.80
Headphone package	HWA 220 820 28 89	●	300	348.00
- Two Sennheiser Noise Guard headphones				

TRIM PARTS



- Standard
- Extra



Mercedes-Benz

Mercedes-AMG GmbH
A DaimlerChrysler AG company

Daimlerstraße 1 · 71563 Affalterbach
Tel +49 (0) 7144 302-0 · Fax +49 (0) 7144 302-120

www.mercedes-benz.com/amg

003.02-00/0803

Printed in Federal Republic of Germany/
Imprimé en République fédérale d'Allemagne