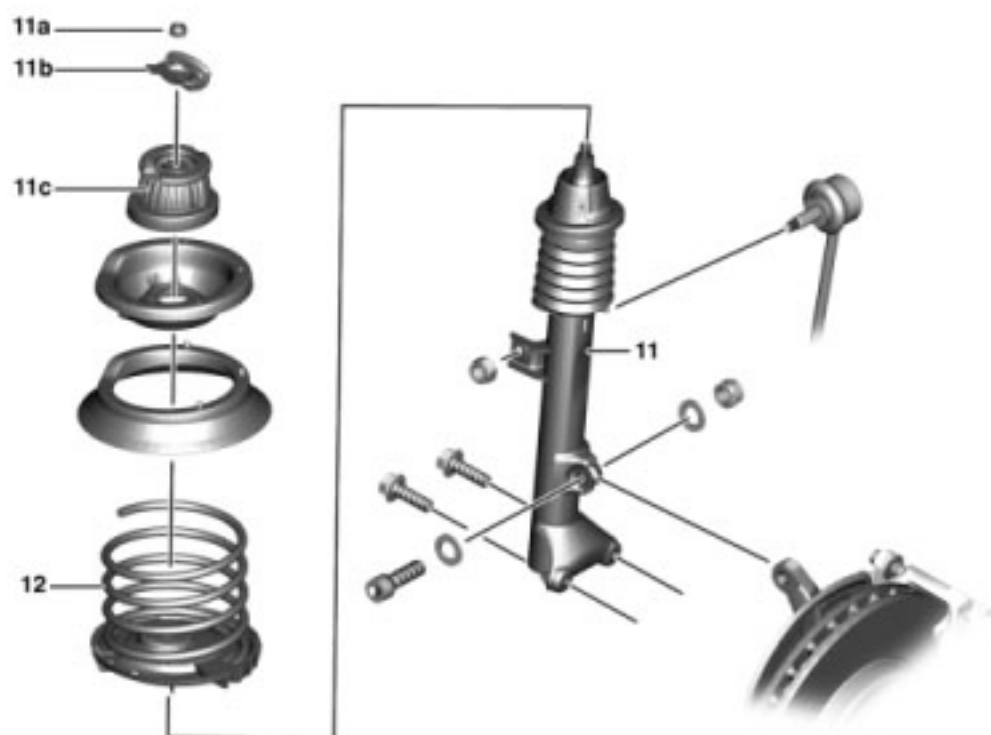


MODEL 203 (except 203.081 /084 /087 /092 /281 /284 /287 /292)

Shown on suspension strut, model 203



P32.20-2036-06

	Remove/install		
Danger!	Risk of death caused by vehicle slipping or toppling off of the lifting platform.	Align vehicle between the columns of the lifting platform and position the four support plates at the lifting platform support points specified by the vehicle manufacturer.	AS00.00-Z-0010-01A
	Notes on self-locking nuts and bolts	All models	AH00.00-N-0001-01A
1	Remove suspension strut (11)	Models 203	AR32.25-P-1017P
2	Disassemble suspension strut (11) and remove front spring (12)	Models 203	AR32.25-P-1018P
3	Install in the reverse order		
AH00.00-N-0001-01A	Notes on self-locking nuts and bolts	All models	

Important repair information

Bolts with locking splines, micro-encapsulated bolts and self-locking nuts must always be replaced after being used once.

There is an increased risk of injury when unscrewing micro-encapsulated bolts due to the sudden breakaway torque.

Before new micro-encapsulated bolts are screwed in, the mating thread must be re-cut in order to remove all the residue of the old bolt locking compound.