

Figure 1  
Routing of shorter belt (1) to bypass compressor,  
M112/113 shown

P-B-83.55/87

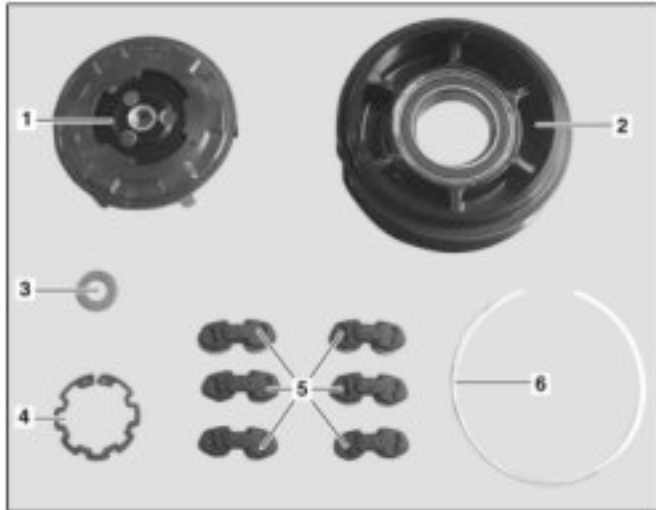


Figure 2  
1 - Hub  
2 - Belt pulley  
3 - Washer  
4 - Snap ring  
5 - Damper rubber  
6 - Circlip

P-B-83.55/87