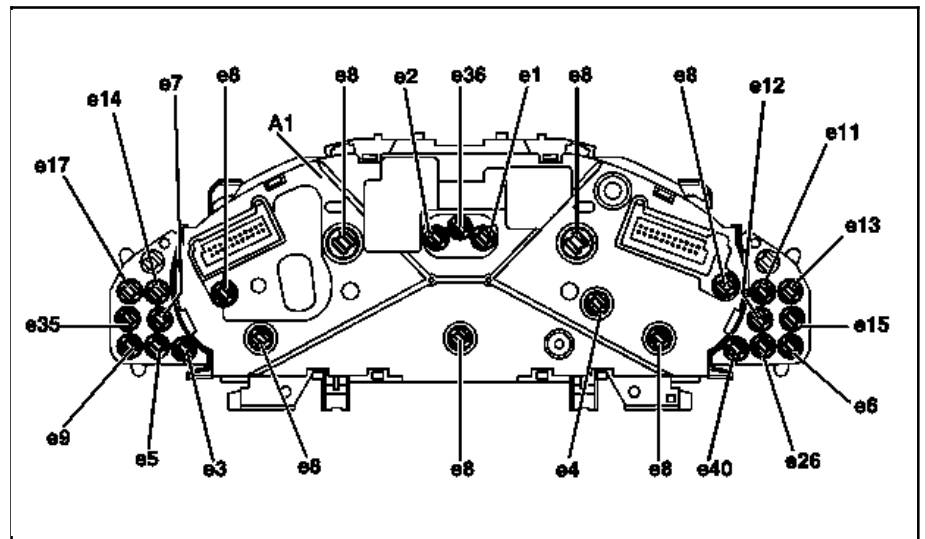


MODEL 170,  
202.01 /02 /12 as of 1.9.95,  
202.07 /08 /18, 208, 210

### Model 170

- A1 Instrument cluster  
 e1 Left turn signal indicator lamp  
 e2 Right turn signal indicator lamp  
 e3 High beam indicator lamp  
 e4 Fuel reserve/tank cap indicator lamp  
 e5 Generator charge indicator lamp  
 e6 Brake pad wear indicator lamp  
 e7 Low brake fluid level/parking brake indicator lamp  
 e8 Instrument illumination  
 e9 Seat belt reminder lamp  
 e11 Low ECL/fan indicator lamp  
 e12 Low engine oil level indicator lamp  
 e13 Low windshield washer fluid level indicator lamp  
 e14 Exterior lamp failure indicator lamp

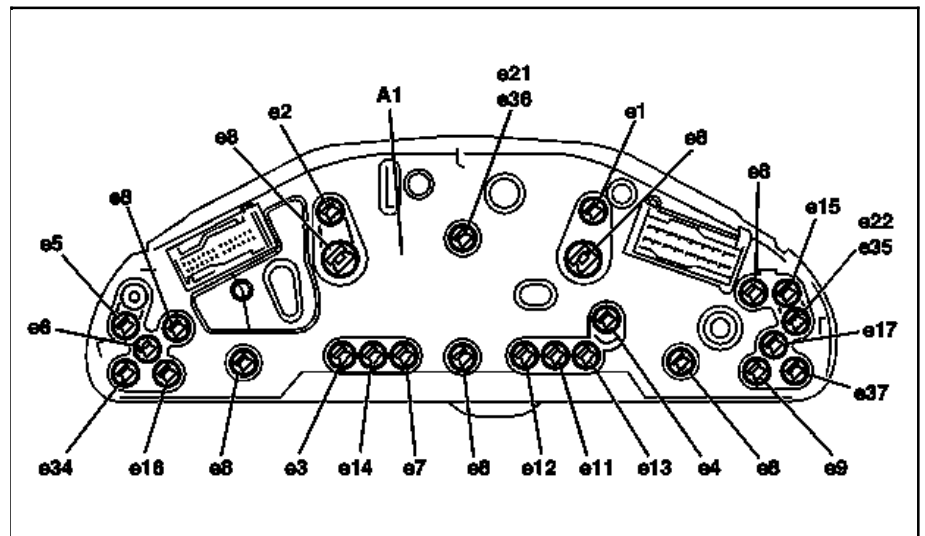


P54.30-0424-05

- e15 SRS malfunction indicator lamp  
 e17 ABS malfunction indicator lamp  
 e26 "CHECK ENGINE" malfunction indicator lamp (USA)  
 e35 ETS malfunction indicator lamp  
 e36 ETS warning lamp  
 e40 Steering lock warning lamp (USA)

### Model 202 sedans as of 1.9.95 and T-models, 208

- A1 Instrument cluster  
 e1 Left turn signal indicator lamp  
 e2 Right turn signal indicator lamp  
 e3 High beam indicator lamp  
 e4 Fuel reserve indicator lamp  
 e5 Generator charge indicator lamp  
 e6 Brake pad wear indicator lamp  
 e7 Low brake fluid level/parking brake indicator lamp  
 e8 Instrument illumination  
 e9 Seat belt reminder lamp  
 e11 Low ECL indicator lamp  
 e12 Low engine oil level indicator lamp  
 e13 Low windshield washer fluid level indicator lamp  
 e14 Exterior lamp failure indicator lamp  
 e16 Preglow indicator lamp  
 e17 ABS malfunction indicator lamp

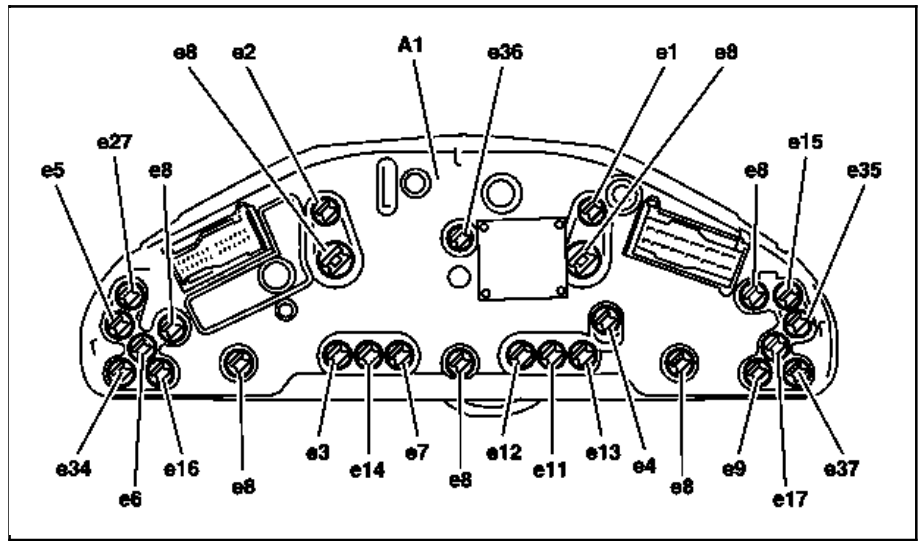


P54.30-0340-05

- e14 Exterior lamp failure indicator lamp  
 e15 SRS malfunction indicator lamp  
 e21 ASR warning lamp  
 e22 ASR malfunction indicator lamp  
 e34 EDC (Electronic Diesel Control) malfunction indicator lamp  
 e35 ETS malfunction indicator lamp  
 e36 ETS warning lamp  
 e37 Hydraulic fluid level indicator lamp

Model 210 without multi-function display

- A1 Instrument cluster
- e1 Left turn signal indicator lamp
- e2 Right turn signal indicator lamp
- e3 High beam indicator lamp
- e4 Fuel reserve indicator lamp
- e5 Generator charge indicator lamp
- e6 Brake pad wear indicator lamp
- e7 Low brake fluid level/parking  
brake indicator lamp
- e8 Instrument illumination
- e9 Seat belt reminder lamp
- e11 Low ECL indicator lamp
- e12 Low engine oil level indicator  
lamp
- e13 Low windshield washer fluid level  
indicator lamp
- e14 Exterior lamp failure indicator  
lamp
- e15 SRS malfunction indicator lamp
- e16 Preglow indicator lamp
- e17 ABS malfunction indicator lamp
- e27 ADS malfunction indicator lamp
- e34 EDC (Electronic Diesel Control) malfunction indicator  
lamp

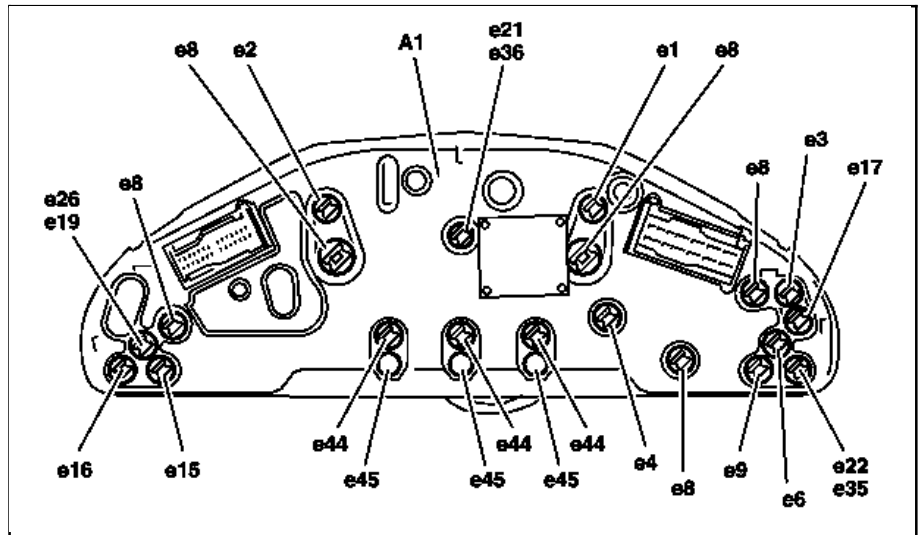


P54.30-0231-05

- e35 ETS malfunction indicator lamp
- e36 ETS warning lamp
- e37 Hydraulic fluid level indicator lamp

Model 210 with multi-function display

- A1 Instrument cluster
- e1 Left turn signal indicator lamp
- e2 Right turn signal indicator lamp
- e3 High beam indicator lamp
- e4 Fuel reserve indicator lamp
- e6 Brake pad wear indicator lamp
- e8 Instrument illumination
- e9 Seat belt reminder lamp
- e15 SRS malfunction indicator lamp
- e16 Preglow indicator lamp
- e17 ABS malfunction indicator lamp
- e19 Catalytic converter overheat warning  
lamp
- e21 ASR warning lamp
- e22 ASR malfunction indicator lamp
- e26 "CHECK ENGINE" malfunction  
indicator lamp
- e35 ETS malfunction indicator lamp
- e36 ETS warning lamp
- e44 Multi-function display illumination  
(white)
- e45 Multi-function display illumination  
(red)



P54.30-0261-05

🔧 🛠️	Removal, installation		
1	Disconnect ground lead from battery	⚠️ On model 210 insulate the ground lead with cable terminal to prevent unintentional contact between disconnected ground lead and ground point W10	AR54.10-P-0003A
2	Remove instrument cluster	Model 170 Models 202, 208, 210	AR54.30-P-6015EC AR54.30-P-6015EA
3	Remove bulbs	📖 ⓘ Installation: ↓ Reinstall bulbs	AR54.30-P-6049-01Z AR54.30-P-6049-02Z
4	Reinstall in opposite order		

