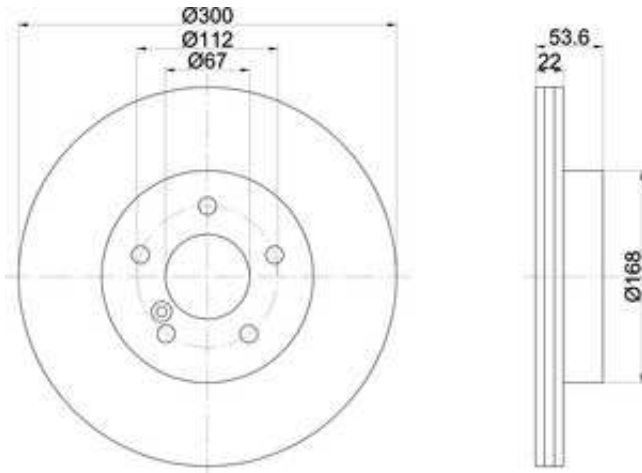


Article number: 54372

Brake Disc



Specifications

Axle	Rear Axle
Brake Disc Type	Internally Vented
Weight [kg]	7
Diameter [mm]	300
Brake Disc Thickness [mm]	22,0
Minimum Thickness [mm]	19,4
Height [mm]	53,6
Hole Arrangement / Number	05/06
Bolt Hole Circle Ø [mm]	112
Centering Diameter [mm]	67
replacement part	No
Supplementary Article/Supplementary Info 2	<ul style="list-style-type: none"> without wheel hub without wheel studs
Surface	Coated
Country Version	<ul style="list-style-type: none"> Great Britain Italy
EAN	4007590076732

Passenger car applications

▶ Manufacturer	Year of Construction	kW	Info
▶ Model			
▼ CHRYSLER			
▶ CROSSFIRE, 07/03 -			
▶ CROSSFIRE Roadster, 05/04 -			
▼ MERCEDES-BENZ			
▶ C-CLASS (W202), 03/93 - 05/00			
▶ C-CLASS (W203), 05/00 -			
▶ C-CLASS Coupe (CL203), 03/01 - 06/11			
▶ C-CLASS Estate (S202), 06/96 - 03/01			

- ▶ C-CLASS T-Model (S203), 03/01 - 08/07
- ▶ CLK (C208), 06/97 - 07/02
- ▶ CLK (C209), 06/02 -
- ▶ CLK Convertible (A208), 03/98 - 03/02
- ▶ CLK Convertible (A209), 02/03 -
- ▶ E-CLASS (W210), 06/95 - 03/02
- ▶ SLK (R170), 04/96 - 04/04
- ▶ SLK (R171), 03/04 -

Cross references

Manufacturer	Reference
MERCEDES-BENZ	2104230812
MERCEDES-BENZ	210423081264
MERCEDES-BENZ	A2104230812
MERCEDES-BENZ	A210423081264

Copyright © 2013. All rights reserved Registered, TMD Friction Services GmbH, Schlebuscher Str. 99, 51381 Leverkusen